



# 1 Watt RF Load Up to 40 GHz with 2.92mm Female Passivated Stainless Steel

## RF Terminations Technical Data Sheet

PE6175

### Features

- DC to 40 GHz Frequency Range
- VSWR 1.25:1 Max
- Max Power 1 Watt (CW)
- 2.92mm Female Coaxial Interface

### Applications

- Wireless
- SatCom
- Radar Systems
- Test and Measurement
- Commercial and Military Communication

### Description

Pasternack's PE6175 is an RF termination (also called RF load or dummy load) that operates from DC to 40 GHz and handles up to 1 Watt (CW). Our 2.92mm termination / load has a female gender. PE6175 2.92mm load termination offers 1.25:1 max VSWR.

RF load / terminations are indispensable components in many RF, microwave and millimeter wave systems where signal reflection from unused ports can potentially damage the device or reduce the signal integrity. By terminating an unused port with a matched load (dummy load), the incident energy will be absorbed with minimal reflection. These termination components are commonly used to terminate devices such as couplers, circulators, and switches. They are also widely used in measurement systems to ensure accurate results. Pasternack offers a huge selection of RF, microwave and millimeter wave terminations up to 65 GHz with excellent performance over the entire operating range and power handling capabilities up to 800 Watts (CW).

### Electrical Specifications

| Description  | Minimum | Typical | Maximum | Units |
|--|---------|---------|---------|-------|
| Frequency Range  | DC      |         | 40      | GHz   |
| Impedance  |         | 50      |         | Ohms  |
| VSWR   |         |         | 1.25:1  |       |
| Input Power (CW)<br>derated linearly to 0.1W at +125°C |         |         | 1       | Watts |

### Mechanical Specifications

#### Size

|        |                    |
|--------|--------------------|
| Length | 0.61 in [15.49 mm] |
| Width  | 0.315 in [8 mm]    |
| Weight | 0.013 lbs [5.9 g]  |

#### Configuration

|                         |               |
|-------------------------|---------------|
| Connector               | 2.92mm Female |
| Connector Specification | MIL-STD-348   |
| Durability              | 500 Cycles    |

Click the following link (or enter part number in "SEARCH" on website) to obtain additional part information including price, inventory and certifications: [1 Watt RF Load Up to 40 GHz with 2.92mm Female Passivated Stainless Steel PE6175](#)



1 Watt RF Load Up to 40 GHz with 2.92mm  
Female Passivated Stainless Steel

## RF Terminations Technical Data Sheet

PE6175

### Material Specifications

| Description         | Material                   | Plating               |
|---------------------|----------------------------|-----------------------|
| Connector 1 Contact | Beryllium Copper           | Gold<br>MIL-PRF-39012 |
| Body                | Passivated Stainless Steel |                       |
| Coupling Nut        | Passivated Stainless Steel |                       |
| Housing             | Passivated Stainless Steel |                       |

### Mechanical Specification Notes:

Dielectric material: high temperature plastic bead.

### Environmental Specifications

#### Temperature

Operating Range -55 to +125 deg C

### Compliance Certifications (visit [www.Pasternack.com](http://www.Pasternack.com) for current document)

RoHS Compliant

REACH Compliant 12/17/2015

### Plotted and Other Data

Notes:

Click the following link (or enter part number in "SEARCH" on website) to obtain additional part information including price, inventory and certifications: [1 Watt RF Load Up to 40 GHz with 2.92mm Female Passivated Stainless Steel PE6175](#)

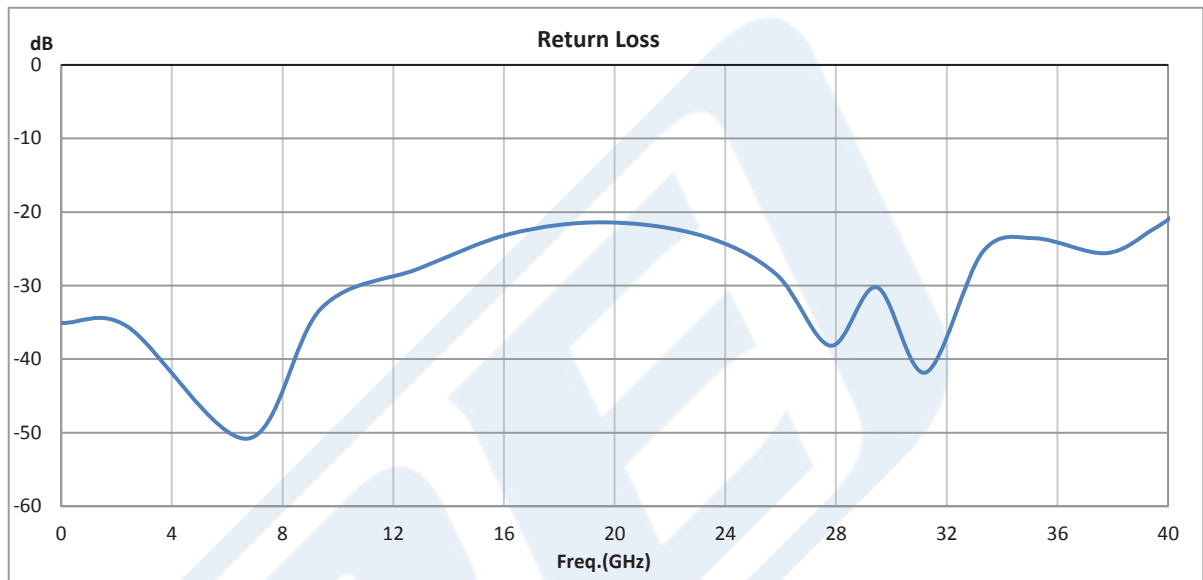


1 Watt RF Load Up to 40 GHz with 2.92mm  
Female Passivated Stainless Steel

## RF Terminations Technical Data Sheet

PE6175

### Typical Performance Data



1 Watt RF Load Up to 40 GHz with 2.92mm Female Passivated Stainless Steel from Pasternack Enterprises has same day shipment for domestic and International orders. Our RF, microwave and millimeter wave products maintain a 99% availability and are part of the broadest selection in the industry.

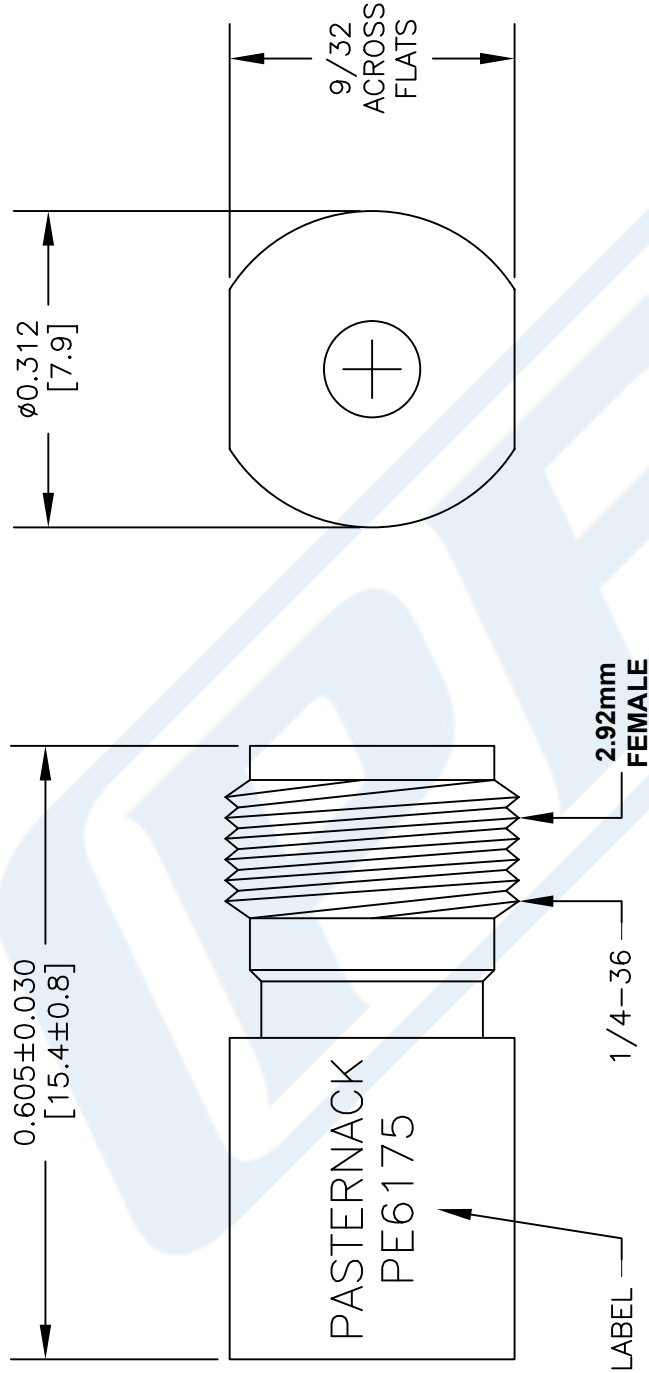
Click the following link (or enter part number in "SEARCH" on website) to obtain additional part information including price, inventory and certifications: [1 Watt RF Load Up to 40 GHz with 2.92mm Female Passivated Stainless Steel PE6175](https://www.pasternack.com/1-watts-2.92mm-female-rf-load-up-to-40-ghz-precision-pe6175-p.aspx)

URL: <https://www.pasternack.com/1-watts-2.92mm-female-rf-load-up-to-40-ghz-precision-pe6175-p.aspx>

The information contained in this document is accurate to the best of our knowledge and representative of the part described herein. It may be necessary to make modifications to the part and/or the documentation of the part, in order to implement improvements. Pasternack reserves the right to make such changes as required. Unless otherwise stated, all specifications are nominal. Pasternack does not make any representation or warranty regarding the suitability of the part described herein for any particular purpose, and Pasternack does not assume any liability arising out of the use of any part or documentation.

# PE6175 CAD Drawing

1 Watt RF Load Up to 40 GHz with 2.92mm Female Passivated Stainless Steel



### STANDARD TOLERANCES

.X ±0.05  
 .XX ±0.03  
 .XXX ±0.010

\*STANDARD TOLERANCES APPLY ONLY TO DIMENSIONS IN INCHES



Pasternack Enterprises, Inc.  
 P.O. Box 16759 | Irvine | CA | 92623  
 Phone: (949) 261-1920 | Fax: (949) 261-7451  
 Website: www.pasternack.com | E-Mail: sales@pasternack.com

DWG TITLE

**PE6175**

NOTES:  
 1. UNLESS OTHERWISE SPECIFIED ALL DIMENSIONS ARE NOMINAL.  
 2. ALL SPECIFICATIONS ARE SUBJECT TO CHANGE WITHOUT NOTICE AT ANY TIME.  
 3. DIMENSIONS ARE IN INCHES [mm].

FSCM NO. 53919

CAD FILE 061016

SCALE N/A

SIZE A

3045