



SC Female Non-Shorting Dust Cap With 4 Inch Chain

Shorts and Caps Technical Data Sheet

PE6118

Features

- Protects against dust and contaminants
- Protects against physical damage
- Nickel Plated Body
- Chain Included

Applications

- General Purpose Laboratory Use
- Test and Measurement

Description

Pasternack's PE6118 connector dust cap has an SC interface and a female gender. Our SC female dust cap is a non-shorting design with a nickel plated body to ensure durability. The Pasternack non-shorting SC connector cap comes with a 4 inch chain and is part of over 40,000 RF, microwave and millimeter wave products that ship the same day.

RF connector dust caps are essential for precision connectors, protecting them from dust, corrosion and potential damage especially to test and measurement equipment. Specific RF connector cap models come with a chain to prevent loss or misplacement. Internal short connector cap versions are available to protect equipment from a spike in current caused by electrostatic discharge (ESD).

Mechanical Specifications

Configuration

Connector SC Female Non-Shorting
Chain Option 4 in Chain

Description	Material	Plating
Body	Brass	Nickel

Size

Length 1 in [25.4 mm]
Width 0.76 in [19.30 mm]
Weight 0.082 lbs [37.19 g]

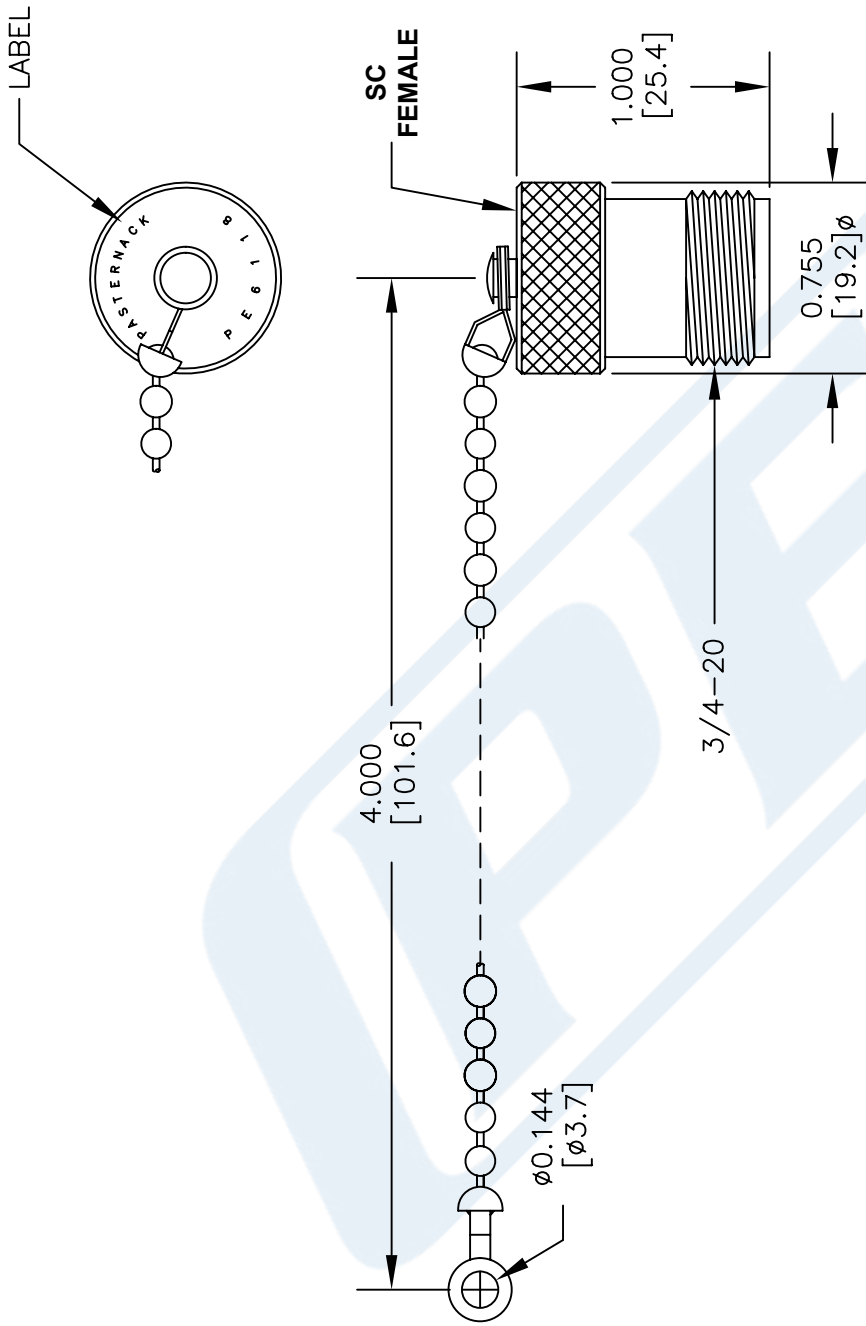
Compliance Certifications (visit www.Pasternack.com for current document)

RoHS Compliant
REACH Compliant 12/17/2015

Click the following link (or enter part number in "SEARCH" on website) to obtain additional part information including price, inventory and certifications: [SC Female Non-Shorting Dust Cap With 4 Inch Chain PE6118](#)

PE6118 CAD Drawing

SC Female Non-Shorting Dust Cap With 4 Inch Chain



STANDARD TOLERANCES
DECIMAL
.XX ±0.02
.XXX ±0.005

*STANDARD TOLERANCES APPLY ONLY TO DIMENSIONS IN INCHES

NOTES: 1. UNLESS OTHERWISE SPECIFIED ALL DIMENSIONS ARE NOMINAL. 2. ALL SPECIFICATIONS ARE SUBJECT TO CHANGE WITHOUT NOTICE AT ANY TIME. 3. DIMENSIONS ARE IN INCHES [mm].			
CAD FILE	051716	SCALE	N/A
SIZE	A		
			3045

DWG TITLE	PE6118
FSCM NO.	53919


PASTERNAK
 THE ENGINEER'S RF SOURCE
 Pasternack Enterprises, Inc.
 P.O. Box 16759 | Irvine | CA | 92623
 Phone: (949) 261-1920 | Fax: (949) 261-7451
 Website: www.pasternack.com | E-Mail: sales@pasternack.com