



HN Female Non-Shorting Dust Cap

Shorts and Caps Technical Data Sheet

PE6115

Features

- Protects against dust and contaminants
- Protects against physical damage
- Nickel Plated Body

Applications

- General Purpose Laboratory Use
- Test and Measurement

Description

Pasternack's PE6115 connector dust cap has an HN interface and a female gender. Our HN female dust cap is a non-shorting design with a nickel plated body to ensure durability. The Pasternack non-shorting HN connector cap is part of over 40,000 RF, microwave and millimeter wave products that ship the same day.

RF connector dust caps are essential for precision connectors, protecting them from dust, corrosion and potential damage especially to test and measurement equipment. Specific RF connector cap models come with a chain to prevent loss or misplacement. Internal short connector cap versions are available to protect equipment from a spike in current caused by electrostatic discharge (ESD).

Mechanical Specifications

Configuration

Connector

HN Female Non-Shorting

Description	Material	Plating
Body	Brass	Nickel

Size

Length	0.81 in [20.57 mm]
Width	0.82 in [20.83 mm]
Weight	0.061 lbs [27.67 g]

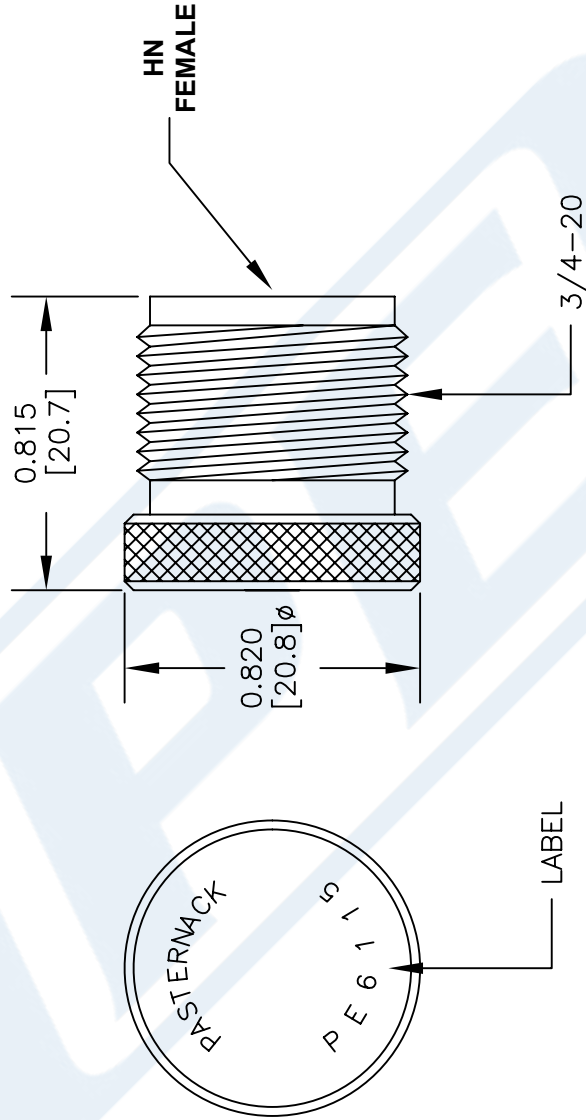
Compliance Certifications (visit www.Pasternack.com for current document)

RoHS Compliant	
REACH Compliant	12/17/2015

Click the following link (or enter part number in "SEARCH" on website) to obtain additional part information including price, inventory and certifications: [HN Female Non-Shorting Dust Cap PE6115](#)

PE6115 CAD Drawing

HN Female Non-Shorting Dust Cap



STANDARD TOLERANCES

DECIMAL ±0.02
 .XX ±0.005
 .XXX ±0.005

*STANDARD TOLERANCES APPLY ONLY TO DIMENSIONS IN INCHES

DWG TITLE

PE6115

NOTES:
 1. UNLESS OTHERWISE SPECIFIED ALL DIMENSIONS ARE NOMINAL.
 2. ALL SPECIFICATIONS ARE SUBJECT TO CHANGE WITHOUT NOTICE AT ANY TIME.
 3. DIMENSIONS ARE IN INCHES [mm].

P**E** **PASTERNAK**[®]
 THE ENGINEER'S RF SOURCE
 Pasternack Enterprises, Inc.
 P.O. Box 16759 | Irvine | CA | 92623
 Phone: (949) 261-1920 | Fax: (949) 261-7451
 Website: www.pasternack.com | E-Mail: sales@pasternack.com

FSCM NO. 53919

CAD FILE 053116

SCALE N/A

SIZE A

3045