



High Power 100 Watts RF Load Up To 2 GHz With BNC Female Input Square Body Black Oxide Aluminum Heatsink

TECHNICAL DATA SHEET

PE6041

Configuration

Connector	BNC Female
Heat Sink	Black Oxide Aluminum Heatsink
Connection Method	Standard
Body Style	Straight

Electrical Specifications

Frequency Range, GHz	DC to 2
Impedance, Ohms	50
Maximum VSWR	1.2:1
Maximum Input Power, Watts	100
Peak Power, KWatts	5

Mechanical Specifications

Size

Length, in [mm]	6.97 [177.04]
Width/Dia., in [mm]	4.05 [102.87]
Height, in [mm]	4.33 [109.98]
Weight, lbs [Kg]	3 [1.36]

Connector

Type	BNC Female
Outer Conductor Material and Plating	Brass, Nickel
Dielectric Type	PTFE

Compliance Certifications (visit www.Pasternack.com for current document)

RoHS Compliant	Yes
REACH Compliant	06/18/2012

Plotted and Other Data

Notes:	Values at 25 °C, sea level
--------	----------------------------

High Power 100 Watts RF Load Up To 2 GHz With BNC Female Input Square Body Black Oxide Aluminum Heatsink from Pasternack Enterprises has same day shipment for domestic and International orders. Our RF, microwave and fiber optic products maintain a 99% availability and are part of the broadest selection in the industry.

Click the following link (or enter part number in "SEARCH" on website) to obtain additional part information including price, inventory and certifications: [High Power 100 Watts RF Load Up To 2 GHz With BNC Female Input Square Body Black Oxide Aluminum Heatsink PE6041](http://www.pasternack.com/100-watts-bnc-female-rf-load-up-to-2-ghz-pe6041-p.aspx)

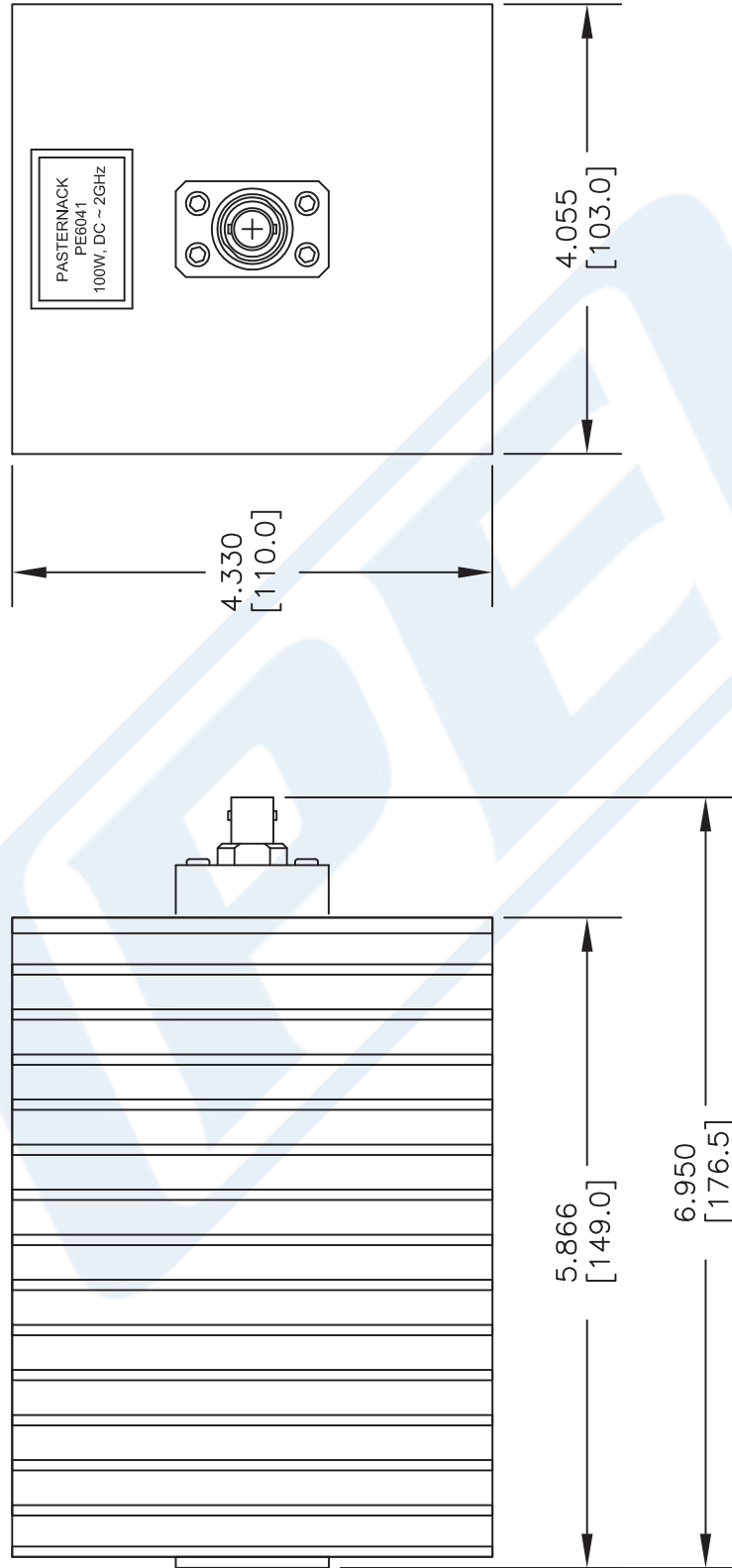
URL: <http://www.pasternack.com/100-watts-bnc-female-rf-load-up-to-2-ghz-pe6041-p.aspx>

The information contained in this document is accurate to the best of our knowledge and representative of the part described herein. It may be necessary to make modifications to the part and/or the documentation of the part, in order to implement improvements. Pasternack reserves the right to make such changes as required. Unless otherwise stated, all specifications are nominal.



PE6041 CAD Drawing

High Power 100 Watts RF Load Up To 2 GHz With BNC Female Input
Square Body Black Oxide Aluminum Heatsink



NOTES:
1. UNLESS OTHERWISE SPECIFIED ALL DIMENSIONS ARE NOMINAL.
2. ALL SPECIFICATIONS ARE SUBJECT TO CHANGE WITHOUT NOTICE AT ANY TIME.
3. DIMENSIONS ARE IN INCHES [mm].

DWG TITLE

PE6041

FSCM NO. 53919

CAD FILE 122313

SCALE N/A

SIZE A

2233



Pasternack Enterprises, Inc.
P.O. Box 16759 | Irvine | CA | 92623
Phone: (949) 261-1920 | Fax: (949) 261-7451
Website: www.pasternack.com | E-Mail: sales@pasternack.com