



25 Watt RF Load Up to 18 GHz With SMA Female Input  
Square Body Black Anodized Aluminum Heatsink

RF Terminations Technical Data Sheet

PE6038

**Features**

- DC to 18 GHz Frequency Range
- VSWR 1.4:1 Max
- Max Power 25 Watt (CW)
- SMA Female Coaxial Interface

**Applications**

- Wireless
- Radar Systems
- Commercial and Military Communication
- SatCom
- Test and Measurement

**Description**

Pasternack's PE6038 is an RF termination (also called RF load or dummy load) that operates from DC to 18 GHz and handles up to 25 Watt (CW). Our SMA termination / load has a female gender. PE6038 SMA load termination offers 1.4:1 max VSWR. This Pasternack 25W SMA terminator has a heatsink body which is designed to provide adequate heat dissipation within its full frequency of operation.

RF load / terminations are indispensable components in many RF, microwave and millimeter wave systems where signal reflection from unused ports can potentially damage the device or reduce the signal integrity. By using a terminator on an unused port with a matched load (dummy load), the incident energy will be absorbed with minimal reflection. These termination components are commonly used to terminate devices such as couplers, circulators, and switches. They are also widely used in measurement systems to ensure accurate results. Pasternack offers a huge selection of RF, microwave and millimeter wave terminations up to 65 GHz with excellent performance over the entire operating range and power handling capabilities up to 800 Watt (CW).

**Electrical Specifications**

| Description  | Minimum | Typical | Maximum | Units |
|--|---------|---------|---------|-------|
| Frequency Range  | DC      |         | 18      | GHz   |
| Impedance  |         | 50      |         | Ohms  |
| VSWR   |         |         | 1.4:1   |       |
| Input Power (CW)<br>derated linearly to 0.5W at +125°C |         |         | 25      | Watts |
| Input Power (Peak)<br>5µs pulse, 0.05% duty cycle      |         |         | 500     | Watts |

**Mechanical Specifications**

| Size   |                       |
|--------|-----------------------|
| Length | 3.36 in [85.34 mm]    |
| Width  | 2.65 in [67.31 mm]    |
| Height | 2.65 in [67.31 mm]    |
| Weight | 1.0025 lbs [454.73 g] |

Click the following link (or enter part number in "SEARCH" on website) to obtain additional part information including price, inventory and certifications: [25 Watt RF Load Up to 18 GHz With SMA Female Input Square Body Black Anodized Aluminum Heatsink PE6038](#)



25 Watt RF Load Up to 18 GHz With SMA Female Input  
Square Body Black Anodized Aluminum Heatsink

RF Terminations Technical Data Sheet

PE6038

**Configuration**

Connector SMA Female  
Connector Specification MIL-STD-348

**Material Specifications**

| Description         | Material                         | Plating |
|---------------------|----------------------------------|---------|
| Connector 1 Contact | Beryllium Copper                 | Gold    |
| Insulation          | PTFE                             |         |
| Body                | Passivated Stainless Steel       |         |
| Housing             | Black Anodized Aluminum Heatsink |         |

**Environmental Specifications**

**Temperature**

Operating Range -65 to +125 deg C

**Compliance Certifications** (see [product page](#) for current document)

**Plotted and Other Data**

Notes:

25 Watt RF Load Up to 18 GHz With SMA Female Input Square Body Black Anodized Aluminum Heatsink from Pasternack Enterprises has same day shipment for domestic and International orders. Our RF, microwave and millimeter wave products maintain a 99.4% availability and are part of the broadest selection in the industry.

Click the following link (or enter part number in "SEARCH" on website) to obtain additional part information including price, inventory and certifications: [25 Watt RF Load Up to 18 GHz With SMA Female Input Square Body Black Anodized Aluminum Heatsink PE6038](#)

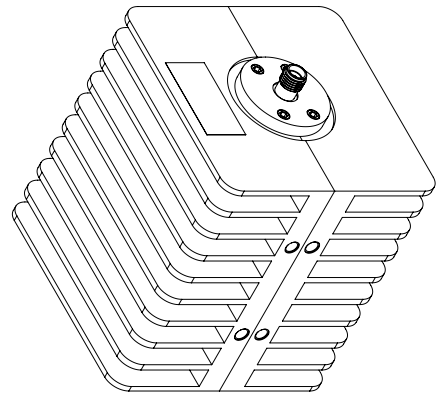
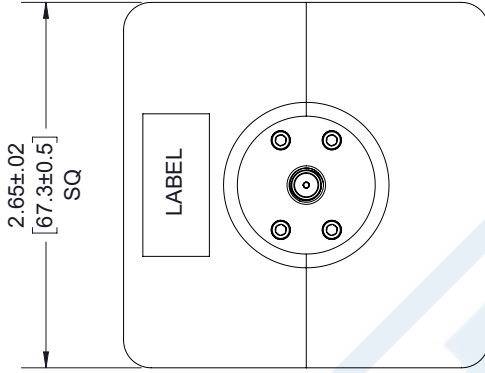
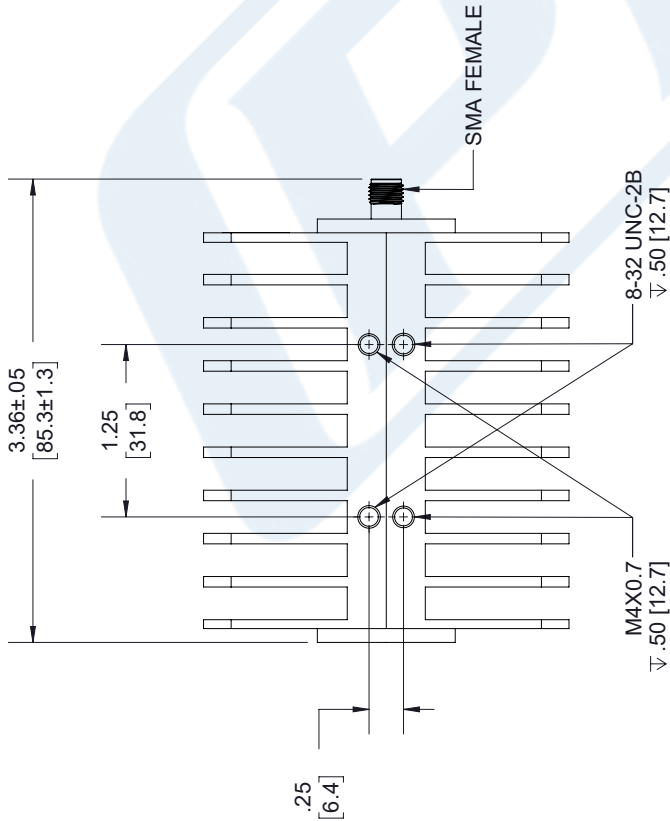
URL: <https://www.pasternack.com/25-watts-sma-female-rf-load-up-to-18-ghz-pe6038-p.aspx>

The information contained in this document is accurate to the best of our knowledge and representative of the part described herein. It may be necessary to make modifications to the part and/or the documentation of the part, in order to implement improvements. Pasternack reserves the right to make such changes as required. Unless otherwise stated, all specifications are nominal. Pasternack does not make any representation or warranty regarding the suitability of the part described herein for any particular purpose, and Pasternack does not assume any liability arising out of the use of any part or documentation.

# PE6038 CAD Drawing

25 Watt RF Load Up to 18 GHz With SMA Female Input  
Square Body Black Anodized Aluminum Heatsink

| REVISIONS |             |          |          |
|-----------|-------------|----------|----------|
| REV.      | DESCRIPTION | DATE     | APPROVED |
| A         | PCR PE6038  | 4/7/2020 | S.PONG   |



**LABEL**  
PASTERNAK  
PE6038  
DC - 18 GHz

UNLESS OTHERWISE SPECIFIED  
LEADING DIMENSIONS ARE INCHES  
DIMENSIONS IN [ ] ARE MILLIMETERS

TOLERANCES:  
.X = ±.2 [5.08] | FRACTIONS ± 1/32  
.XX = ±.02 [.51] | ANGLES ± 1°  
.XXX = ±.005 [.13] |

CABLE LENGTH (L) TOLERANCES:  
L ≤ 12 [305] = +1 [25] / -0  
12 [305] < L ≤ 60 [1524] = +2 [51] / -0  
60 [1524] < L ≤ 120 [3048] = +4 [102] / -0  
120 [3048] < L ≤ 300 [7620] = +6 [152] / -0  
300 [7620] < L = +5% L / -0

ALL DIMENSIONS SHOWN  
ARE FOR REFERENCE ONLY.

**PE PASTERNAK**  
an INFINITI brand

Pasternack Enterprises, Inc.  
P. O. Box 16759, Irvine, CA 92623.  
Phone: 1.949.261.1920 | 1.866.727.8376  
Fax: 1.949.261.7451  
Website: www.pasternack.com  
E-mail: sales@pasternack.com

ITEM NO. PE6038  
DRAWN BY K.DANG  
CAGE CODE A 53919

THIRD-ANGLE PROJECTION

THE INFORMATION AND  
DESIGN IN THIS DOCUMENT  
IS THE PROPERTY OF  
PASTERNAK CORPORATION  
ALL RIGHTS RESERVED.

SHEET 1 OF 1  
SCALE N/A

REV A