



SMA Female Shorting Dust Cap

Shorts and Caps Technical Data Sheet

PE6007

Features

- Protects against dust and contaminants
- Protects against physical damage
- Nickel Plated Body
- Internally Shorted

Applications

- General Purpose Laboratory Use
- Test and Measurement
- ESD Protection

Description

Pasternack's PE6007 connector dust cap has an SMA interface and a female gender. Our SMA female dust cap is a shorting design with a nickel plated body to ensure durability. The Pasternack shorting SMA connector cap is part of over 40,000 RF, microwave and millimeter wave products that ship the same day.

RF connector dust caps are essential for precision connectors, protecting them from dust, corrosion and potential damage especially to test and measurement equipment. Specific RF connector cap models come with a chain to prevent loss or misplacement. Internal short connector cap versions are available to protect equipment from a spike in current caused by electrostatic discharge (ESD).

Mechanical Specifications

Configuration

Connector	SMA Female Shorting
Connector Specification	MIL-STD-348A
Hex Size	1/4 inch

Description	Material	Plating
Contact	Beryllium Copper	Gold 3μ" min.
Body	Brass	Nickel 100μ" min.

Size

Length	0.53 in [13.46 mm]
Width	0.25 in [6.35 mm]
Weight	0.006 lbs [2.72 g]

Environmental Specifications

Temperature

Operating Range	-65 to +165 deg C
-----------------	-------------------

Click the following link (or enter part number in "SEARCH" on website) to obtain additional part information including price, inventory and certifications: [SMA Female Shorting Dust Cap PE6007](#)



SMA Female Shorting Dust Cap

Shorts and Caps Technical Data Sheet

PE6007

Compliance Certifications (visit www.Pasternack.com for current document)

RoHS Compliant

REACH Compliant

12/17/2015

Plotted and Other Data

Notes:

SMA Female Shorting Dust Cap from Pasternack Enterprises has same day shipment for domestic and International orders. Our RF, microwave and millimeter wave products maintain a 99% availability and are part of the broadest selection in the industry.

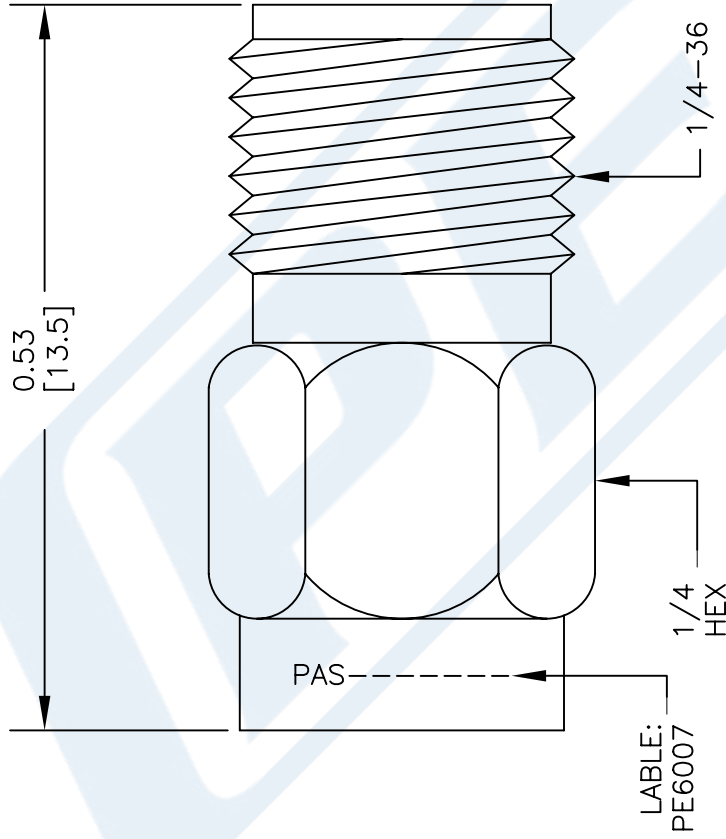
Click the following link (or enter part number in "SEARCH" on website) to obtain additional part information including price, inventory and certifications: [SMA Female Shorting Dust Cap PE6007](#)

URL: <https://www.pasternack.com/50-ohm-sma-female-short-cap-pe6007-p.aspx>

The information contained in this document is accurate to the best of our knowledge and representative of the part described herein. It may be necessary to make modifications to the part and/or the documentation of the part, in order to implement improvements. Pasternack reserves the right to make such changes as required. Unless otherwise stated, all specifications are nominal. Pasternack does not make any representation or warranty regarding the suitability of the part described herein for any particular purpose, and Pasternack does not assume any liability arising out of the use of any part or documentation.

PE6007 CAD Drawing

SMA Female Shorting Dust Cap



SMA FEMALE

STANDARD TOLERANCES

.X ±0.2
 .XX ±0.1
 .XXX ±0.05

*STANDARD TOLERANCES APPLY ONLY TO DIMENSIONS IN INCHES

DWG TITLE

PE6007

NOTES:
 1. UNLESS OTHERWISE SPECIFIED ALL DIMENSIONS ARE NOMINAL.
 2. ALL SPECIFICATIONS ARE SUBJECT TO CHANGE WITHOUT NOTICE AT ANY TIME.
 3. DIMENSIONS ARE IN INCHES [mm].

P/E PASTERNAK®
 THE ENGINEER'S RF SOURCE
 Pasternack Enterprises, Inc.
 P.O. Box 16759 | Irvine | CA | 92623
 Phone: (949) 261-1920 | Fax: (949) 261-7451
 Website: www.pasternack.com | E-Mail: sales@pasternack.com

FSCM NO. 53919

CAD FILE 051716

SCALE N/A

SIZE A

3045