



2.4 GHz 8 dBi Omnidirectional Antenna - 12in RP-SMA Plug Connector

Antennas Technical Data Sheet

PE51OM1026

Features

- Compact, lightweight design
- Durable UV-stable fiberglass radome
- All weather operation
- 12" coax lead
- Includes mounting system

Applications

- 2.4 GHz ISM Band
- Supports IEEE 802.11b/g/n applications
- WiFi and 2.4 GHz wireless video systems
- Bluetooth® & Public Wireless Hotspot

Description

The HyperGain PE51OM1026 is a very compact yet high performance omnidirectional WiFi antenna designed for the 2.4GHz ISM band. It is ideally suited for multipoint and mobile applications where high gain and wide coverage is desired. Additional applications include IEEE 802.11b, 802.11g and 802.11n wireless LANs, Bluetooth®, public wireless hotspot applications.

This antenna's construction features a durable fiberglass radome for durability and aesthetics. Its mounting system features a heavy-duty extruded aluminum bracket and stainless steel U-Bolt for superior strength.

Configuration

Design	Omni
Band Type	Single
Radiation Pattern	Omni Directional
Polarization	Vertical
Cable Type	Coax lead
Cable Length	12 in [304.8 mm]
Connector Type	SMA Plug
Number of Ports	1

Electrical Specifications

Description	Minimum	Typical	Maximum	Units
Input VSWR			2:1	
Impedance		50		Ohms
Gain		8		dBi
Input Power			100	Watts

Specifications by Band

Description	Band 1	Band 2	Band 3	Band 4	Band 5	Units
Range	2,400-2,500					MHz
Gain	8					dBi
Horizontal Beam Width	360					Degees
Vertical Beam Width	18					Degees
Maximum Input Power	100					Watts

Click the following link (or enter part number in "SEARCH" on website) to obtain additional part information including price, inventory and certifications: [2.4 GHz 8 dBi Omnidirectional Antenna - 12in RP-SMA Plug Connector PE51OM1026](#)



2.4 GHz 8 dBi Omnidirectional Antenna -
12in RP-SMA Plug Connector

Antennas Technical Data Sheet

PE510M1026

Mechanical Specifications

Radome Material

Fiberglass

Size

Overall Length

16 in [406.4 mm]

Mounting Mast Diameter

2.38 in [60.45 mm]

Weight

1.14 lbs [517.1 g]

Environmental Specifications

Temperature

Operating Range

-40 to +85 deg C

Wind Loading

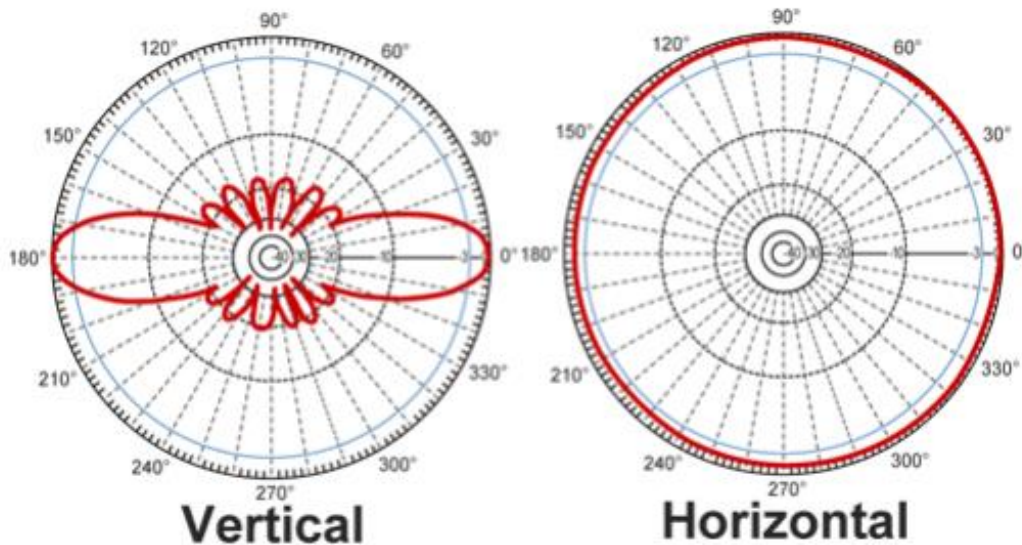
100 MPH [160.93 KPH]

Compliance Certifications (see [product page](#) for current document)

Plotted and Other Data

Notes:

Typical Radiation Pattern



Click the following link (or enter part number in "SEARCH" on website) to obtain additional part information including price, inventory and certifications: [2.4 GHz 8 dBi Omnidirectional Antenna - 12in RP-SMA Plug Connector PE510M1026](#)



2.4 GHz 8 dBi Omnidirectional Antenna - 12in RP-SMA Plug Connector

Antennas Technical Data Sheet

PE51OM1026

2.4 GHz 8 dBi Omnidirectional Antenna - 12in RP-SMA Plug Connector from Pasternack Enterprises has same day shipment for domestic and International orders. Our RF, microwave and millimeter wave products maintain a 99.4% availability and are part of the broadest selection in the industry.

Click the following link (or enter part number in "SEARCH" on website) to obtain additional part information including price, inventory and certifications: [2.4 GHz 8 dBi Omnidirectional Antenna - 12in RP-SMA Plug Connector PE51OM1026](#)

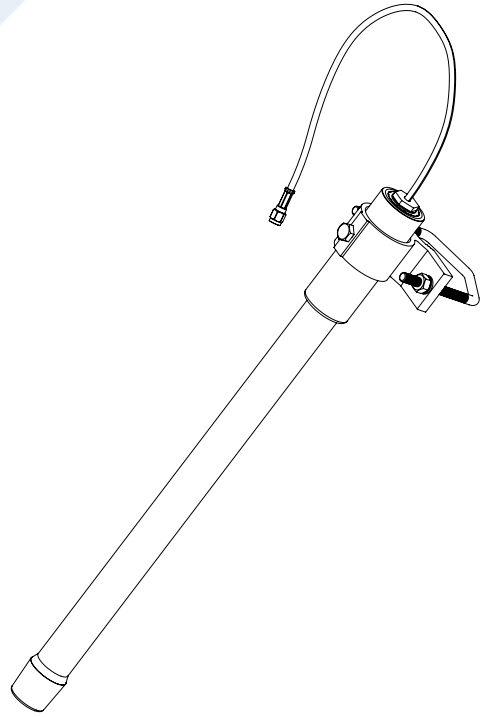
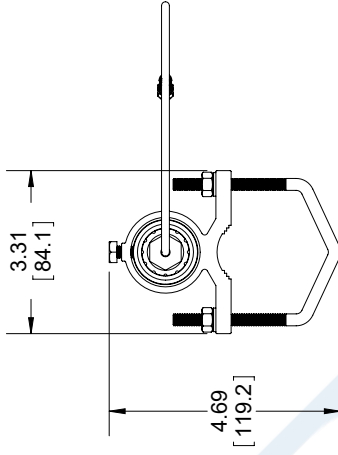
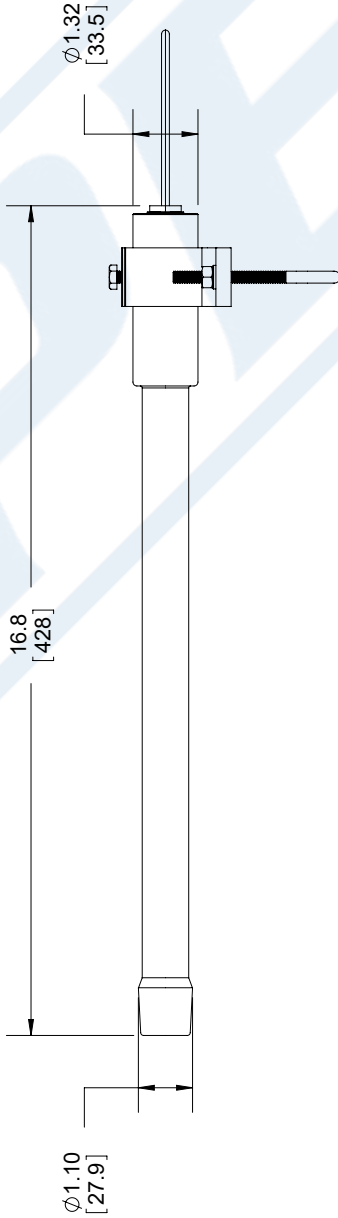
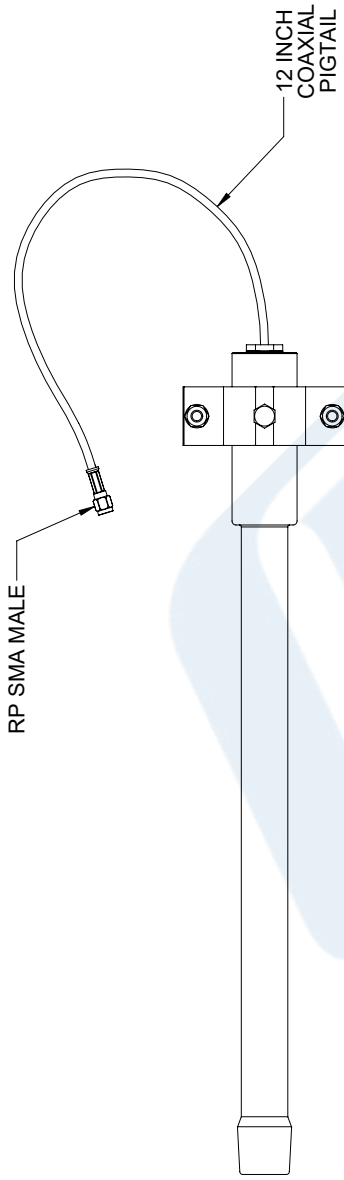
URL: <https://www.pasternack.com/single-antenna-8-dbi-gain-sma-pe51om1026-p.aspx>

The information contained in this document is accurate to the best of our knowledge and representative of the part described herein. It may be necessary to make modifications to the part and/or the documentation of the part, in order to implement improvements. Pasternack reserves the right to make such changes as required. Unless otherwise stated, all specifications are nominal. Pasternack does not make any representation or warranty regarding the suitability of the part described herein for any particular purpose, and Pasternack does not assume any liability arising out of the use of any part or documentation.

PE51OM1026 CAD Drawing

2.4 GHz 8 dBi Omnidirectional Antenna - 12in RP-SMA Plug Connector

REVISIONS			
REV.	DESCRIPTION	DATE	APPROVED
A	INITIAL RELEASE	2/17/2020	M.MILLER



UNLESS OTHERWISE SPECIFIED LEADING DIMENSIONS ARE IN INCHES DIMENSIONS IN [] ARE MILLIMETERS

TOLERANCES:

.X = ±.2 [5.08]	FRACTIONS ± 1/32
.XX = ±.02 [.51]	ANGLES ± 1°
.XXX = ±.005 [.13]	

CABLE LENGTH (L) TOLERANCES:

L ≤ 12 [305] = +1 [25] / -0
12 [305] < L ≤ 60 [1524] = +2 [51] / -0
60 [1524] < L ≤ 120 [3048] = +4 [102] / -0
120 [3048] < L ≤ 300 [7620] = +6 [152] / -0
300 [7620] < L = +5% / L / -0

ALL DIMENSIONS SHOWN ARE FOR REFERENCE ONLY.

PE PASTERNAK
an INFINITI brand

Pasternack Enterprises, Inc.
P. O. Box 16759, Irvine, CA 92623.
Phone: 1.949.261.1920 | 1.866.727.8376
Fax: 1.949.261.7451
Website: www.pasternack.com
E-mail: sales@pasternack.com

SIZE A CAGE CODE A 53919 DRAWN BY K.DANG ITEM NO. PE51OM1026 REV. A

THIRD-ANGLE PROJECTION

THE INFORMATION AND DESIGN IN THIS DOCUMENT IS THE PROPERTY OF PASTERNAK CORPORATION. ALL RIGHTS RESERVED.

SHEET 1 OF 1

SCALE N/A

REGULATORY COMPLIANCE:
EU RoHS DIRECTIVE (MOST RECENT RELEASED VERSION)

THESE COMMODITIES, TECHNOLOGY OR SOFTWARE WERE EXPORTED FROM THE UNITED STATES IN ACCORDANCE WITH THE EXPORT ADMINISTRATION REGULATIONS. DIVERSION CONTRARY TO U.S. LAW PROHIBITED.