

## 2.4 GHz 8 dBi Flex Base Radome Enclosed Omni Antenna - NM Connector

### Antennas Technical Data Sheet

PE51OM1025

#### Features

- Flexible Spring Base for Antenna Flexibility
- Can be Mounted on Magnetic base or Permanent Base (order separately)
- Weather-Proof, High Performance
- Fixed mounts available
- Compact size

#### Applications

- 2.4 GHz ISM Band
- IEEE 802.11b and 802.11g Wireless LAN
- IEEE 802.11n (Pre-N, Draft-N) Applications
- WiFi & Wireless Video Systems
- Wireless Video Systems & Multipoint and Mobile Applications

#### Description

The HyperLink PE51OM1025 is a high performance Omni-directional elevated feed antenna designed for the 2.4 GHz ISM band. This compact and lightweight antenna is ideally suited for IEEE 802.11b and 802.11g wireless LANs, public wireless hotspots, Bluetooth® and other multipoint and mobile applications where high gain and wide coverage is desired. This antenna features a co-linear stacked design with an elevated feed point. This allows the antenna to operate using a very small ground plane.

Measuring 17.5" long, this antenna features an aesthetic black finish. It features a built-in shock spring and is designed with a standard N-Male connector that allows for ease of installation to similar N-Female mounting systems (mobile and fixed mounts).

#### Configuration

Design	Omni
Band Type	Single
Radiation Pattern	Omni Directional
Polarization	Vertical
Connector Type	N Male
Number of Ports	1

#### Electrical Specifications

Description	Minimum	Typical	Maximum	Units
Input VSWR			2:1	
Impedance		50		Ohms
Gain		7.4		dBi
Input Power			50	Watts

#### Specifications by Band

Description	Band 1	Band 2	Band 3	Band 4	Band 5	Units
Range	2,400-2,500					MHz
Gain	7.4					dBi
Horizontal Beam Width	360					Degees
Maximum Input Power	50					Watts

Click the following link (or enter part number in "SEARCH" on website) to obtain additional part information including price, inventory and certifications: [2.4 GHz 8 dBi Flex Base Radome Enclosed Omni Antenna - NM Connector PE51OM1025](#)

2.4 GHz 8 dBi Flex Base Radome Enclosed  
Omni Antenna - NM Connector

Antennas Technical Data Sheet

PE51OM1025

**Mechanical Specifications**

Radome Material

Fiberglass

**Size**

Overall Length

17.5 in [444.5 mm]

Weight

0.7 lbs [317.51 g]

**Compliance Certifications** (see [product page](#) for current document)

**Plotted and Other Data**

Notes:

**Typical Radiation Pattern**

**Elevation pattern at:**

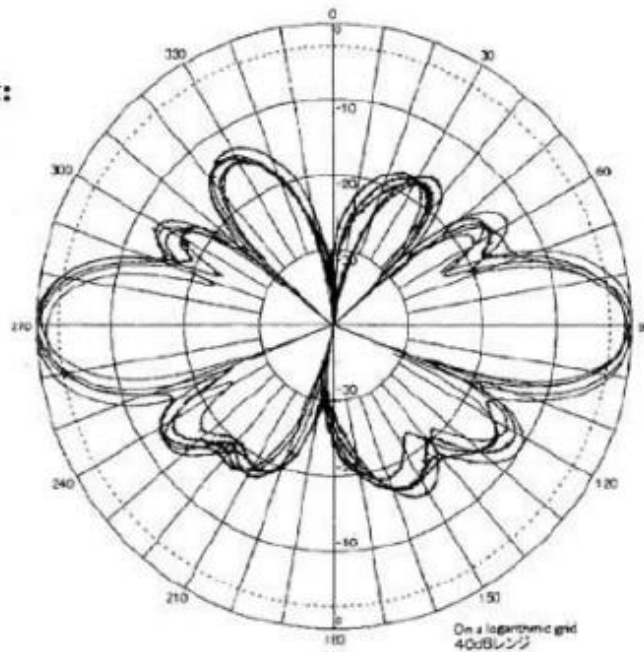
**2400MHz**

**2425MHz**

**2450MHz**

**2475MHz**

**2500MHz**



Click the following link (or enter part number in "SEARCH" on website) to obtain additional part information including price, inventory and certifications: [2.4 GHz 8 dBi Flex Base Radome Enclosed Omni Antenna - NM Connector PE51OM1025](#)

## 2.4 GHz 8 dBi Flex Base Radome Enclosed Omni Antenna - NM Connector

### Antennas Technical Data Sheet

PE51OM1025

2.4 GHz 8 dBi Flex Base Radome Enclosed Omni Antenna - NM Connector from Pasternack Enterprises has same day shipment for domestic and International orders. Our RF, microwave and millimeter wave products maintain a 99.4% availability and are part of the broadest selection in the industry.

Click the following link (or enter part number in "SEARCH" on website) to obtain additional part information including price, inventory and certifications: [2.4 GHz 8 dBi Flex Base Radome Enclosed Omni Antenna - NM Connector PE51OM1025](#)

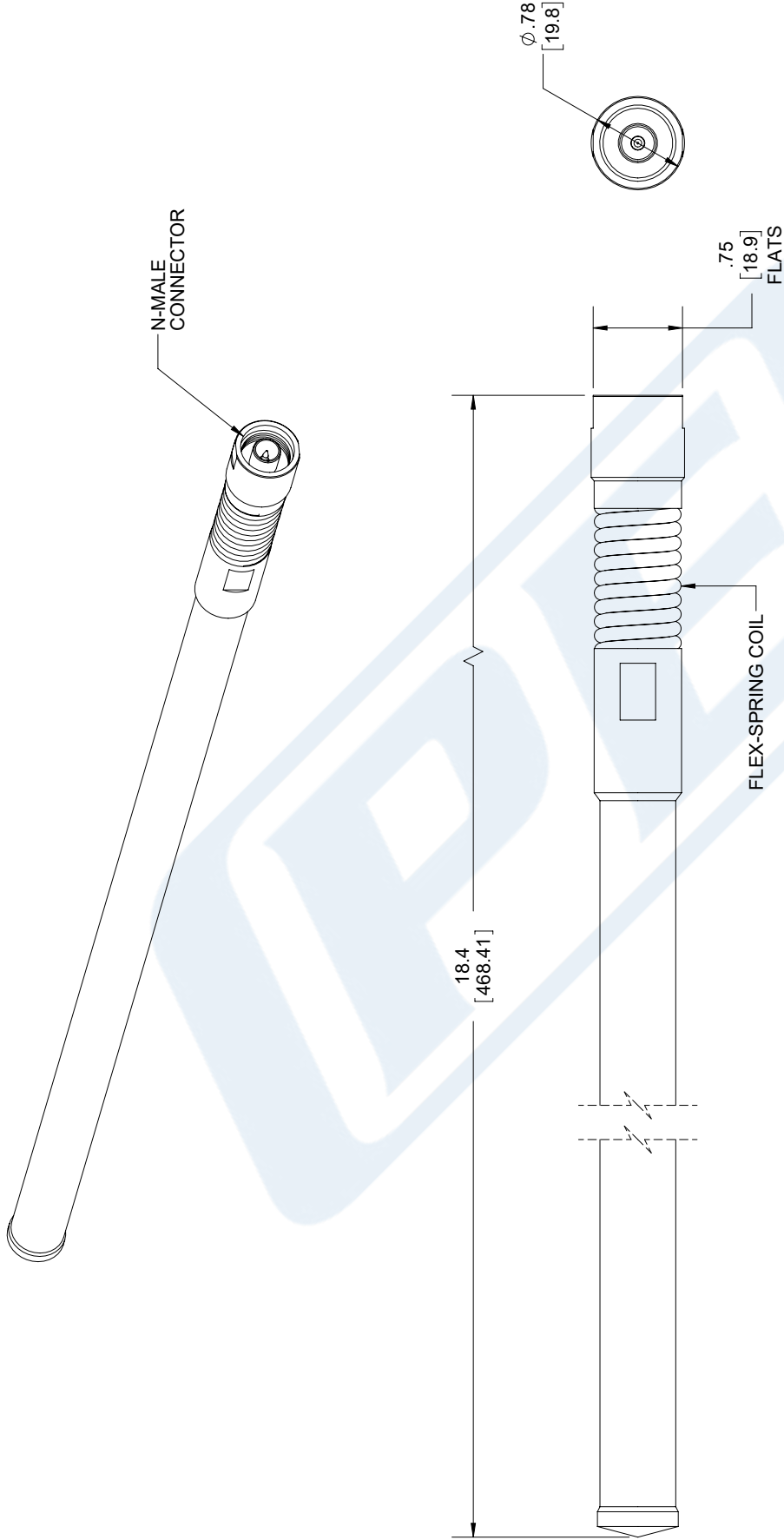
URL: <https://www.pasternack.com/single-antenna-7.4-dbi-gain-n-pe51om1025-p.aspx>

The information contained in this document is accurate to the best of our knowledge and representative of the part described herein. It may be necessary to make modifications to the part and/or the documentation of the part, in order to implement improvements. Pasternack reserves the right to make such changes as required. Unless otherwise stated, all specifications are nominal. Pasternack does not make any representation or warranty regarding the suitability of the part described herein for any particular purpose, and Pasternack does not assume any liability arising out of the use of any part or documentation.

# PE51OM1025 CAD Drawing

2.4 GHz 8 dBi Flex Base Radome Enclosed Omni Antenna - NM Connector

REVISIONS			
REV.	DESCRIPTION	DATE	APPROVED
A	INITIAL RELEASE	2/17/2020	M.MILLER



UNLESS OTHERWISE SPECIFIED  
LEADING DIMENSIONS ARE INCHES  
DIMENSIONS IN [ ] ARE MILLIMETERS

**TOLERANCES:**

.X = ±.2 [5.08]    FRACTIONS ± 1/32  
.XX = ±.02 [.51]    ANGLES ± 1°  
.XXX = ±.005 [.13]

**CABLE LENGTH (L) TOLERANCES:**

L ≤ 12 [305] = +1 [25] / -0  
12 [305] < L ≤ 60 [1524] = +2 [51] / -0  
60 [1524] < L ≤ 120 [3048] = +4 [102] / -0  
120 [3048] < L ≤ 300 [7620] = +6 [152] / -0  
300 [7620] < L = +5% / L / -0

ALL DIMENSIONS SHOWN  
ARE FOR REFERENCE ONLY.

**PE PASTERNAK**  
an INFINIT brand

Pasternack Enterprises, Inc.  
P. O. Box 16759, Irvine, CA 92623.  
Phone: 1.949.261.1920 | 1.866.727.8376  
Fax: 1.949.261.7451  
Website: www.pasternack.com  
E-mail: sales@pasternack.com

SIZE A    CAGE CODE 53919    DRAWN BY K.DANG    ITEM NO. PE51OM1025    REV. A

THIRD-ANGLE PROJECTION

THE INFORMATION AND  
DESIGN IN THIS DOCUMENT  
IS THE PROPERTY OF  
PASTERNAK CORPORATION  
ALL RIGHTS RESERVED.

SHEET 1 OF 1

SCALE N/A

**REGULATORY COMPLIANCE:**  
EU RoHS DIRECTIVE (MOST RECENT RELEASED VERSION)

THESE COMMODITIES, TECHNOLOGY OR SOFTWARE WERE EXPORTED FROM THE UNITED STATES IN ACCORDANCE WITH THE EXPORT ADMINISTRATION REGULATIONS. DIVERSION CONTRARY TO U.S. LAW PROHIBITED.