



Mobile Antenna Operates From 440 MHz to 480 MHz With a Typical 4.5 dBi Gain NMO Mount Input Connector Rated

TECHNICAL DATA SHEET PE51170

Configuration

Design	Mobile
Frequency Range	440 to 480 MHz
Interface 1	NMO Mount

Electrical Specifications

Description	Minimum	Typical	Maximum	Units
Impedance		50		Ohms
Typical Gain		4.5		dBi
Input Power			150	Watts
Input VSWR			2:1	

Mechanical Specifications

Size	
Length	31.1 in [789.94 mm]
Width	1.43 in [36.32 mm]
Weight	0.671 lbs [304.36 g]

Environmental Specifications

Compliance Certifications (see [product page](#) for current document)

Plotted and Other Data

Notes:

Click the following link (or enter part number in "SEARCH" on website) to obtain additional part information including price, inventory and certifications: [Mobile Antenna Operates From 440 MHz to 480 MHz With a Typical 4.5 dBi Gain NMO Mount Input Connector Rated PE51170](#)





Mobile Antenna Operates From 440 MHz to 480 MHz With a Typical 4.5 dBi Gain NMO Mount Input Connector Rated

TECHNICAL DATA SHEET

PE51170

Mobile Antenna Operates From 440 MHz to 480 MHz With a Typical 4.5 dBi Gain NMO Mount Input Connector Rated from Pasternack Enterprises has same day shipment for domestic and International orders. Our RF, microwave and millimeter wave products maintain a 99.4% availability and are part of the broadest selection in the industry.

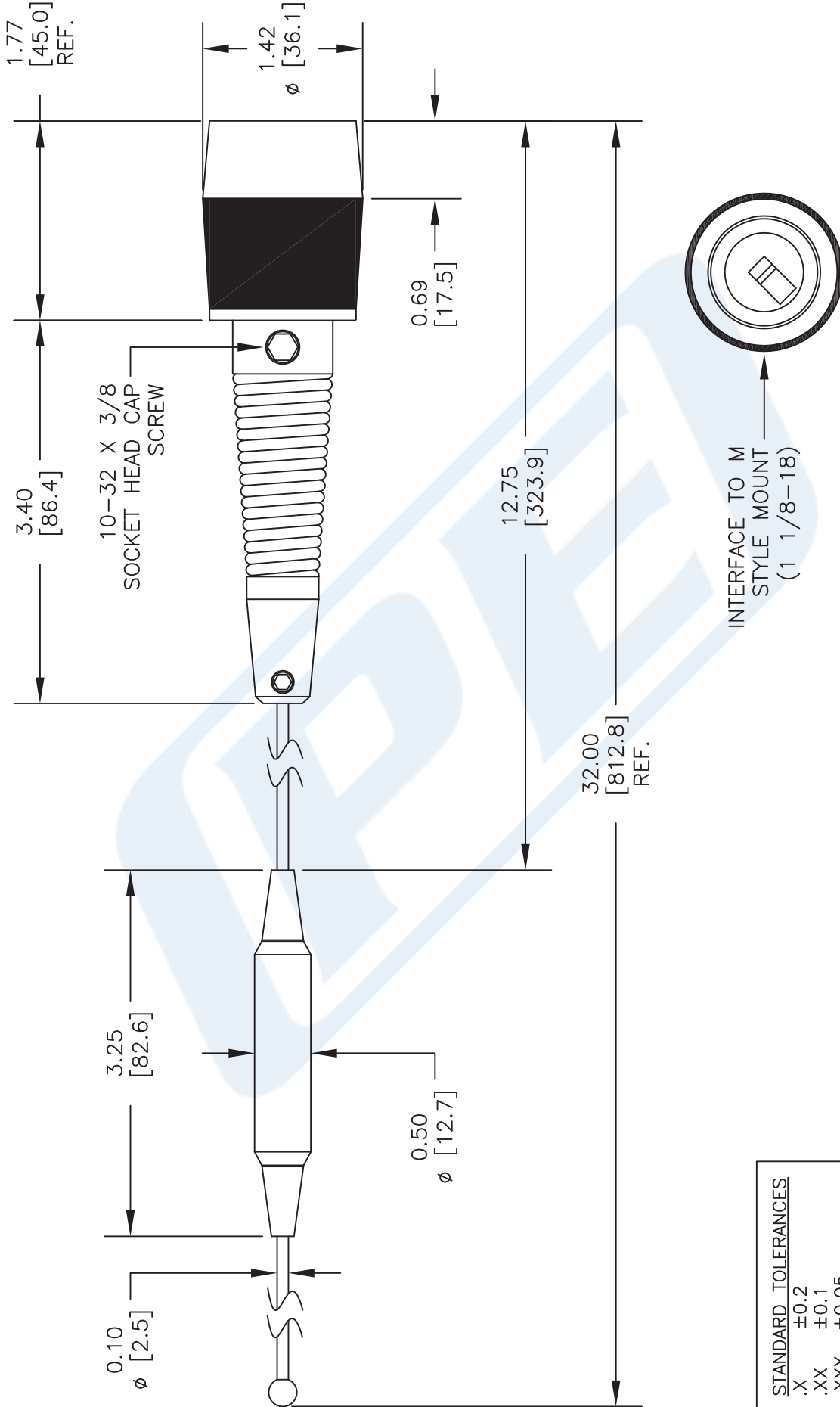
Click the following link (or enter part number in "SEARCH" on website) to obtain additional part information including price, inventory and certifications: [Mobile Antenna Operates From 440 MHz to 480 MHz With a Typical 4.5 dBi Gain NMO Mount Input Connector Rated PE51170](https://www.pasternack.com/single-antenna-440-480-mhz-4.5-dbi-gain-nmo-mount-pe51170-p.aspx)

URL: <https://www.pasternack.com/single-antenna-440-480-mhz-4.5-dbi-gain-nmo-mount-pe51170-p.aspx>

The information contained in this document is accurate to the best of our knowledge and representative of the part described herein. It may be necessary to make modifications to the part and/or the documentation of the part, in order to implement improvements. Pasternack reserves the right to make such changes as required. Unless otherwise stated, all specifications are nominal. Pasternack does not make any representation or warranty regarding the suitability of the part described herein for any particular purpose, and Pasternack does not assume any liability arising out of the use of any part or documentation.

PE51170 CAD Drawing

Mobile Antenna Operates From 440 MHz to 480 MHz With a
Typical 4.5 dBi Gain NMO Mount Input Connector Rated



STANDARD TOLERANCES
.X ±0.2
.XX ±0.1
.XXX ±0.05

*STANDARD TOLERANCES APPLY ONLY TO DIMENSIONS IN INCHES

<p>PE PASTERNAK THE ENGINEER'S RF SOURCE Pasternack Enterprises, Inc. P.O. Box 16759 Irvine CA 92623 Phone: (949) 261-1920 Fax: (949) 261-7451 Website: www.pasternack.com E-Mail: sales@pasternack.com</p>	<p>DWG TITLE PE51170</p>		<p>NOTES: 1. UNLESS OTHERWISE SPECIFIED ALL DIMENSIONS ARE NOMINAL. 2. ALL SPECIFICATIONS ARE SUBJECT TO CHANGE WITHOUT NOTICE AT ANY TIME. 3. DIMENSIONS ARE IN INCHES [mm].</p>	
	<p>CAGE CODE 53919</p>	<p>CAD FILE 102716</p>	<p>SCALE N/A</p>	<p>SIZE A</p>