



Dome Multi Band Antenna Operates From 698 MHz to 2.7 GHz
 With a Maximum 5 dBi Gain N Female Input Connector

TECHNICAL DATA SHEET

PE51158

Configuration

Design	Dome
Frequency Range	0.698 to 2.7 GHz
Gain	2 to 5 dB
Polarization	Vertical
Interface 1	N Female

Electrical Specifications (Values at 25°C, sea level)

Description	Minimum	Typical	Maximum	Units
Impedance		50		Ohms
Nominal Gain	2			dBi
Horizontal 3dB Beam Width		360		Degrees
Input Power			50	Watts
Input VSWR			1.7:1	
Passive Intermodulation		-107		dBc

Specifications by Band

Description	Band 1	Band 2	Band 3	Band 4	Band 5	Units
Range	698 to 960	1.71 to 2.7				MHz
Gain	2	5				dB
VSWR	1.7	1.5:1				

Mechanical Specifications

Radome Material	ABS
Temperature	
Operating Range	-40 to +60 deg C
Storage Range	-55 to +70 deg C
Size	
Width	3.34 in [84.84 mm]
Height	7.32 in [185.93 mm]
Weight	0.6 lbs [272.16 g]

Compliance Certifications (visit www.Pasternack.com for current document)

RoHS Compliant

Click the following link (or enter part number in "SEARCH" on website) to obtain additional part information including price, inventory and certifications: [Dome Multi Band Antenna Operates From 698 MHz to 2.7 GHz With a Maximum 5 dBi Gain N Female Input Connector PE51158](#)





Dome Multi Band Antenna Operates From 698 MHz to 2.7 GHz
With a Maximum 5 dBi Gain N Female Input Connector

TECHNICAL DATA SHEET

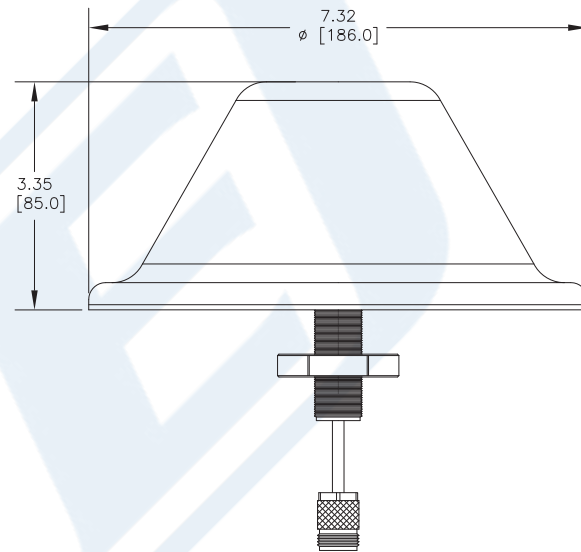
PE51158

Plotted and Other Data

Notes:

- Values at 25 °C, sea level

Outline Drawing



ASSEMBLY PROCEDURES

1. DRILL A HOLE ON THE CEILING WITH DIMENSIONS 1.3"- 1.38"
2. PUT THE CABLE OF THE ANTENNA THROUGH THE HOLE
3. FASTEN ANTENNA WITH SCREW KITS, AND MAKE SURE ANTENNA IS SECURELY MOUNTED ON THE CEILING.

**NOTE:
DIMENSIONS OF THE HOLE ON THE CEILING MUST BE LARGER THAN THE SIZE OF THE ANTENNA CONNECTOR PARTS, AND THE PLATE OF THE ANTENNA MUST BE FLATTENED AGAINST THE CEILING, OTHERWISE THE ANTENNA CANNOT PERFORMANCE EFFECTIVELY.

Dome Multi Band Antenna Operates From 698 MHz to 2.7 GHz With a Maximum 5 dBi Gain N Female Input Connector from Pasternack Enterprises has same day shipment for domestic and International orders. Our RF, microwave and millimeter wave products maintain a 99% availability and are part of the broadest selection in the industry.

Click the following link (or enter part number in "SEARCH" on website) to obtain additional part information including price, inventory and certifications: [Dome Multi Band Antenna Operates From 698 MHz to 2.7 GHz With a Maximum 5 dBi Gain N Female Input Connector PE51158](http://www.pasternack.com/dome-multi-antenna-698-mhz-2.7-ghz-2-dbi-gain-n-pe51158-p.aspx)

URL: <http://www.pasternack.com/dome-multi-antenna-698-mhz-2.7-ghz-2-dbi-gain-n-pe51158-p.aspx>

The information contained in this document is accurate to the best of our knowledge and representative of the part described herein. It may be necessary to make modifications to the part and/or the documentation of the part, in order to implement improvements. Pasternack reserves the right to make such changes as required. Unless otherwise stated, all specifications are nominal. Pasternack does not make any representation or warranty regarding the suitability of the part described herein for any particular purpose, and Pasternack does not assume any liability arising out of the use of any part or documentation.