



Paddle Portable Dual Band Band Antenna Operates From
With a Maximum 6 dBi Gain SMA Female Input Connector

TECHNICAL DATA SHEET PE51143

Configuration

| | |
|------------------------|-----------------------------|
| Design | Paddle Portable |
| Gain | 3.5 to 6 dB |
| Interface 1 | SMA Female Reverse Polarity |
| Number of Output Ports | 1 |

Electrical Specifications (Values at 25°C, sea level)

| Description | Minimum | Typical | Maximum | Units |
|-------------|---------|---------|---------|-------|
| Impedance | | 50 | | Ohms |
| Input VSWR | | | 2:1 | |

Specifications by Band

| Description | Band 1 | Band 2 | Band 3 | Band 4 | Band 5 | Units |
|-------------|------------|----------|--------|--------|--------|-------|
| Range | 2.4 to 2.5 | 5 to 5.9 | | | | GHz |
| Gain | 3.5 | 6 | | | | dB |

Mechanical Specifications

Temperature

Operating Range -10 to +55 deg C

Size

| | |
|--------|--------------------|
| Length | 4.9 in [124.46 mm] |
| Width | 0.9 in [22.86 mm] |
| Height | 0.5 in [12.7 mm] |
| Weight | 0.04 lbs [18.14 g] |

Compliance Certifications (visit www.Pasternack.com for current document)

RoHS Compliant

Plotted and Other Data

Notes:

- Values at 25 °C, sea level

Click the following link (or enter part number in "SEARCH" on website) to obtain additional part information including price, inventory and certifications: [Paddle Portable Dual Band Band Antenna Operates From With a Maximum 6 dBi Gain SMA Female Input Connector PE51143](#)

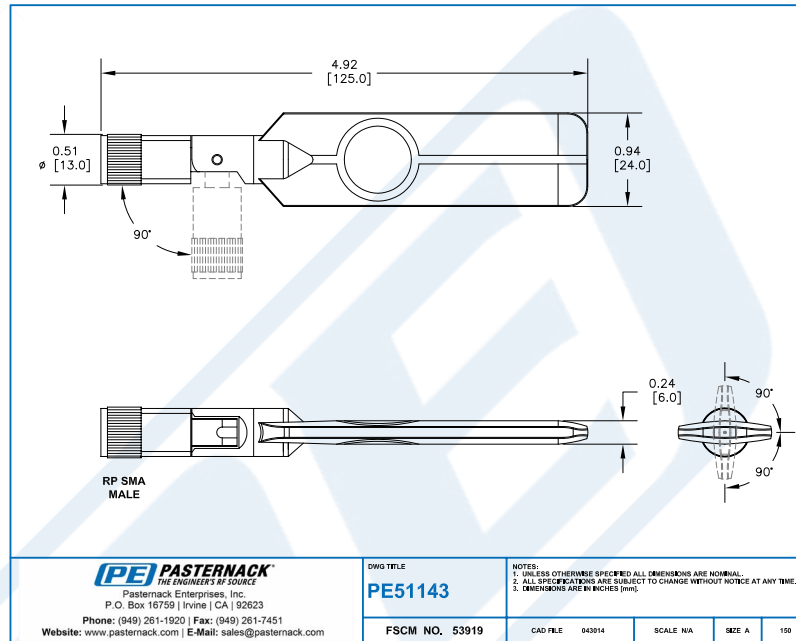




Paddle Portable Dual Band Band Antenna Operates From With a Maximum 6 dBi Gain SMA Female Input Connector

TECHNICAL DATA SHEET PE51143

Outline Drawing



Paddle Portable Dual Band Band Antenna Operates From With a Maximum 6 dBi Gain SMA Female Input Connector from Pasternack Enterprises has same day shipment for domestic and International orders. Our RF, microwave and millimeter wave products maintain a 99% availability and are part of the broadest selection in the industry.

Click the following link (or enter part number in "SEARCH" on website) to obtain additional part information including price, inventory and certifications: [Paddle Portable Dual Band Band Antenna Operates From With a Maximum 6 dBi Gain SMA Female Input Connector PE51143](#)

URL:

The information contained in this document is accurate to the best of our knowledge and representative of the part described herein. It may be necessary to make modifications to the part and/or the documentation of the part, in order to implement improvements. Pasternack reserves the right to make such changes as required. Unless otherwise stated, all specifications are nominal. Pasternack does not make any representation or warranty regarding the suitability of the part described herein for any particular purpose, and Pasternack does not assume any liability arising out of the use of any part or documentation.

