



Production Grade Crimping Tool Without Die

TECHNICAL DATA SHEET

PE5009

Production Grade Crimping Tool Without Die

Configuration

Tool Type Production Grade Crimping Tool Without Die

Mechanical Specifications

Size

Length, in [mm] 10.75 [273.05]

Handle Color Red

Compliance Certifications (visit www.Pasternack.com for current document)

RoHS Compliant Yes

Plotted and Other Data

Notes: Values at 25 °C, sea level

Production Grade Crimping Tool Without Die from Pasternack Enterprises has same day shipment for domestic and International orders. Our RF, microwave and fiber optic products maintain a 99% availability and are part of the broadest selection in the industry.

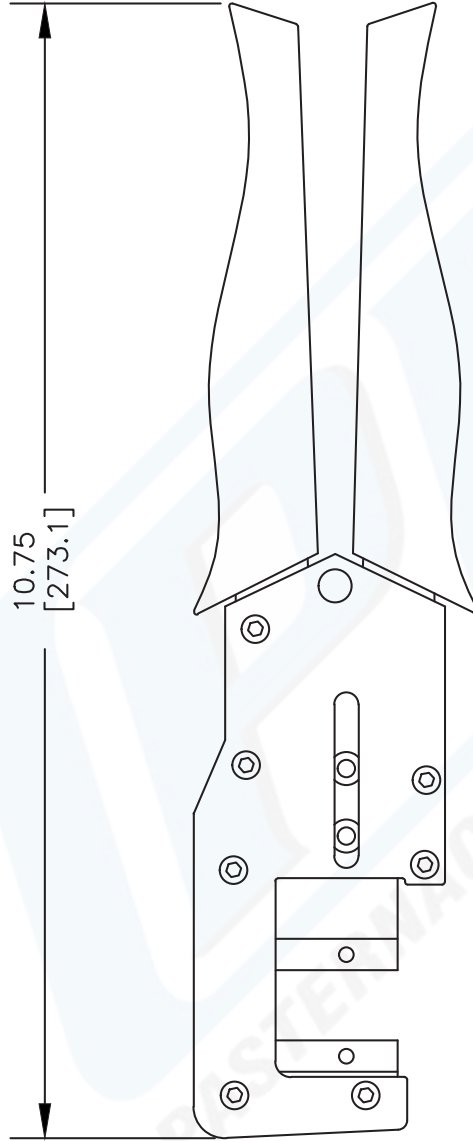
Click the following link (or enter part number in "SEARCH" on website) to obtain additional part information including price, inventory and certifications: [Production Grade Crimping Tool Without Die PE5009](http://www.pasternack.com/production-grade-crimping-tool-without-die-pe5009-p.aspx)

URL: <http://www.pasternack.com/production-grade-crimping-tool-without-die-pe5009-p.aspx>

The information contained in this document is accurate to the best of our knowledge and representative of the part described herein. It may be necessary to make modifications to the part and/or the documentation of the part, in order to implement improvements. Pasternack reserves the right to make such changes as required. Unless otherwise stated, all specifications are nominal.

PE5009 CAD Drawing

Production Grade Crimping Tool Without Die



NOTES:
 1. UNLESS OTHERWISE SPECIFIED ALL DIMENSIONS ARE NOMINAL.
 2. ALL SPECIFICATIONS ARE SUBJECT TO CHANGE WITHOUT NOTICE AT ANY TIME.
 3. DIMENSIONS ARE IN INCHES [mm].

DWG TITLE
PE5009

FSCM NO. 53919

XXXX

SIZE A

SCALE N/A

CAD FILE 032108

PE PASTERNAK®
 Pasternack Enterprises, Inc.
 P.O. Box 16759 | Irvine | CA | 92623
Phone: (949) 261-1920 | **Fax:** (949) 261-7451
Website: www.pasternack.com | **E-Mail:** sales@pasternack.com