



## 75 Ohm Mini SMB Jack Right Angle Connector Solder Attachment Thru Hole PCB, .200 inch x .055 inch Hole Spacing

### RF Connectors Technical Data Sheet

PE4998

#### Configuration

- Mini SMB Jack Connector
- 75 Ohms
- Right Angle Body Geometry
- Thru Hole Interface Type
- Solder Attachment

#### Features

- Max. Operating Frequency 2 GHz
- Gold Plated Brass Contact
- 30 µin minimum contact plating

#### Applications

- General Purpose Test
- Space Saving for PCB Applications

#### Description

Pasternack's PE4998 75 ohm Mini SMB jack right angle connector with solder attachment for thru hole PCB (.200 inch x .055 inch hole spacing) is part of our full line of RF components available for same-day shipping. Our Mini SMB jack connector operates up to a maximum frequency of 2 GHz. Its right angle body geometry allows for easier connections in tight spaces.

Our 75 ohm Mini SMB jack right angle connector PE4998 datasheet specifications and drawing with dimensions are shown below in this PDF. Pasternack's broad catalog of RF, microwave and millimeter wave connectors allows designers to configure and customize their signal connections however they like. Whether the need is to provide an I/O for a board design, or simply create a custom cable assembly configuration, Pasternack has the right connector for the job. Pasternack can also expertly build your custom cable assemblies for you and ship same-day.

#### Electrical Specifications

Description	Minimum	Typical	Maximum	Units
Frequency Range	DC		2	GHz
Operating Voltage (AC)			335	Vrms

#### Mechanical Specifications

Size	
Length	0.465 in [11.81 mm]
Width/Dia.	0.25 in [6.35 mm]
Height	0.455 in [11.56 mm]
Weight	0.005 lbs [2.27 g]

Click the following link (or enter part number in "SEARCH" on website) to obtain additional part information including price, inventory and certifications: [75 Ohm Mini SMB Jack Right Angle Connector Solder Attachment Thru Hole PCB, .200 inch x .055 inch Hole Spacing PE4998](#)



75 Ohm Mini SMB Jack Right Angle Connector Solder Attachment Thru Hole PCB, .200 inch x .055 inch Hole Spacing

## RF Connectors Technical Data Sheet

PE4998

### Material Specifications

Description	Material	Plating
Contact	Brass	Gold 30 µin minimum
Insulation	PTFE	
Body	Brass	Gold 3 µin minimum

### Environmental Specifications

#### Temperature

Operating Range -65 to +165 deg C

**Compliance Certifications** (see [product page](#) for current document)

### Plotted and Other Data

Notes:

75 Ohm Mini SMB Jack Right Angle Connector Solder Attachment Thru Hole PCB, .200 inch x .055 inch Hole Spacing from Pasternack Enterprises has same day shipment for domestic and International orders. Our RF, microwave and millimeter wave products maintain a 99% availability and are part of the broadest selection in the industry.

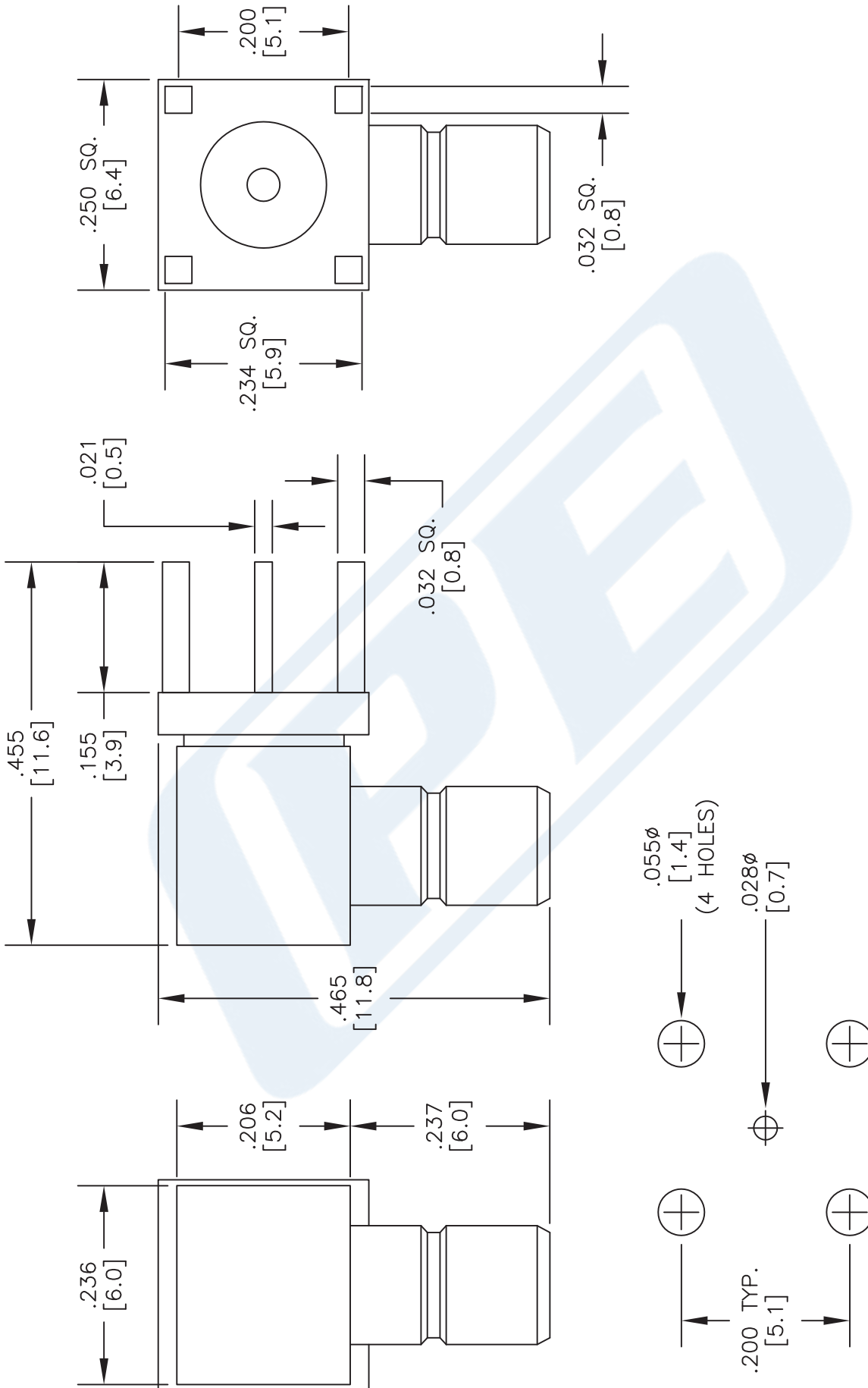
Click the following link (or enter part number in "SEARCH" on website) to obtain additional part information including price, inventory and certifications: [75 Ohm Mini SMB Jack Right Angle Connector Solder Attachment Thru Hole PCB, .200 inch x .055 inch Hole Spacing PE4998](#)

URL: <https://www.pasternack.com/mini-smb-jack-standard-thru-hole-pcb-connector-pe4998-p.aspx>

The information contained in this document is accurate to the best of our knowledge and representative of the part described herein. It may be necessary to make modifications to the part and/or the documentation of the part, in order to implement improvements. Pasternack reserves the right to make such changes as required. Unless otherwise stated, all specifications are nominal. Pasternack does not make any representation or warranty regarding the suitability of the part described herein for any particular purpose, and Pasternack does not assume any liability arising out of the use of any part or documentation.

# PE4998 CAD Drawing

75 Ohm Mini SMB Jack Right Angle Connector Solder Attachment  
Thru Hole PCB, .200 inch x .055 inch Hole Spacing



DWG TITLE

**PE4998**

- NOTES:
1. UNLESS OTHERWISE SPECIFIED ALL DIMENSIONS ARE NOMINAL.
  2. ALL SPECIFICATIONS ARE SUBJECT TO CHANGE WITHOUT NOTICE AT ANY TIME.
  3. DIMENSIONS ARE IN INCHES [mm].
  4. FITS MIL-C-17 AND EQUIVALENT CABLES.

**PASTERNAK ENTERPRISES, INC.**  
P.O. BOX 16759, IRVINE, CA 92623  
PHONE (949) 261-1920 FAX (949) 261-7451  
WEB ADDRESS: [www.pasternack.com](http://www.pasternack.com)  
E-MAIL ADDRESS: [sales@pasternack.com](mailto:sales@pasternack.com)



REV. B

FSCM NO. 53919

CAD FILE 052412

SCALE N/A

SIZE A

2233

MOUNTING HOLE