



Mini UHF Female Bulkhead Connector Solder Attachment Solder Cup Terminal, .350 inch D Hole, Rear Mount

TECHNICAL DATA SHEET

PE4644

Mini UHF Female Bulkhead Connector Solder Attachment Solder Cup Terminal, .350 inch D Hole, Rear Mount

Configuration

Connector	Mini UHF Female
Connector Interface Type	Solder Cup
Cable Attachment Method (Shield/Contact)	Solder
Body Style	Straight
Mount Method	Bulkhead

Electrical Specifications

Impedance, Ohms	50
-----------------	----

Mechanical Specifications

Size

Length, in [mm]	0.915 [23.24]
Width/Dia., in [mm]	0.5 [12.70]
Weight, lbs [g]	0.013 [5.9]

Connector

Type	Mini UHF Female
Contact Material and Plating	Brass, Gold
Contact Plating Specification	3 μ -5 μ in. minimum
Body Material and Plating	Brass, Nickel
Body Plating Specification	70 μ in. minimum
Dielectric Type	Teflon

Compliance Certifications (visit www.Pasternack.com for current document)

RoHS Compliant	Yes
----------------	-----

Click the following link (or enter part number in "SEARCH" on website) to obtain additional part information including price, inventory and certifications: [Mini UHF Female Bulkhead Connector Solder Attachment Solder Cup Terminal, .350 inch D Hole, Rear Mount PE4644](#)

The information contained in this document is accurate to the best of our knowledge and representative of the part described herein. It may be necessary to make modifications to the part and/or the documentation of the part, in order to implement improvements. Pasternack reserves the right to make such changes as required. Unless otherwise stated, all specifications are nominal.



Mini UHF Female Bulkhead Connector Solder Attachment
Solder Cup Terminal, .350 inch D Hole, Rear Mount

TECHNICAL DATA SHEET

PE4644

Plotted and Other Data

Notes:

Values at 25 °C, sea level

Mini UHF Female Bulkhead Connector Solder Attachment Solder Cup Terminal, .350 inch D Hole, Rear Mount from Pasternack Enterprises has same day shipment for domestic and International orders. Our RF, microwave and fiber optic products maintain a 99% availability and are part of the broadest selection in the industry.

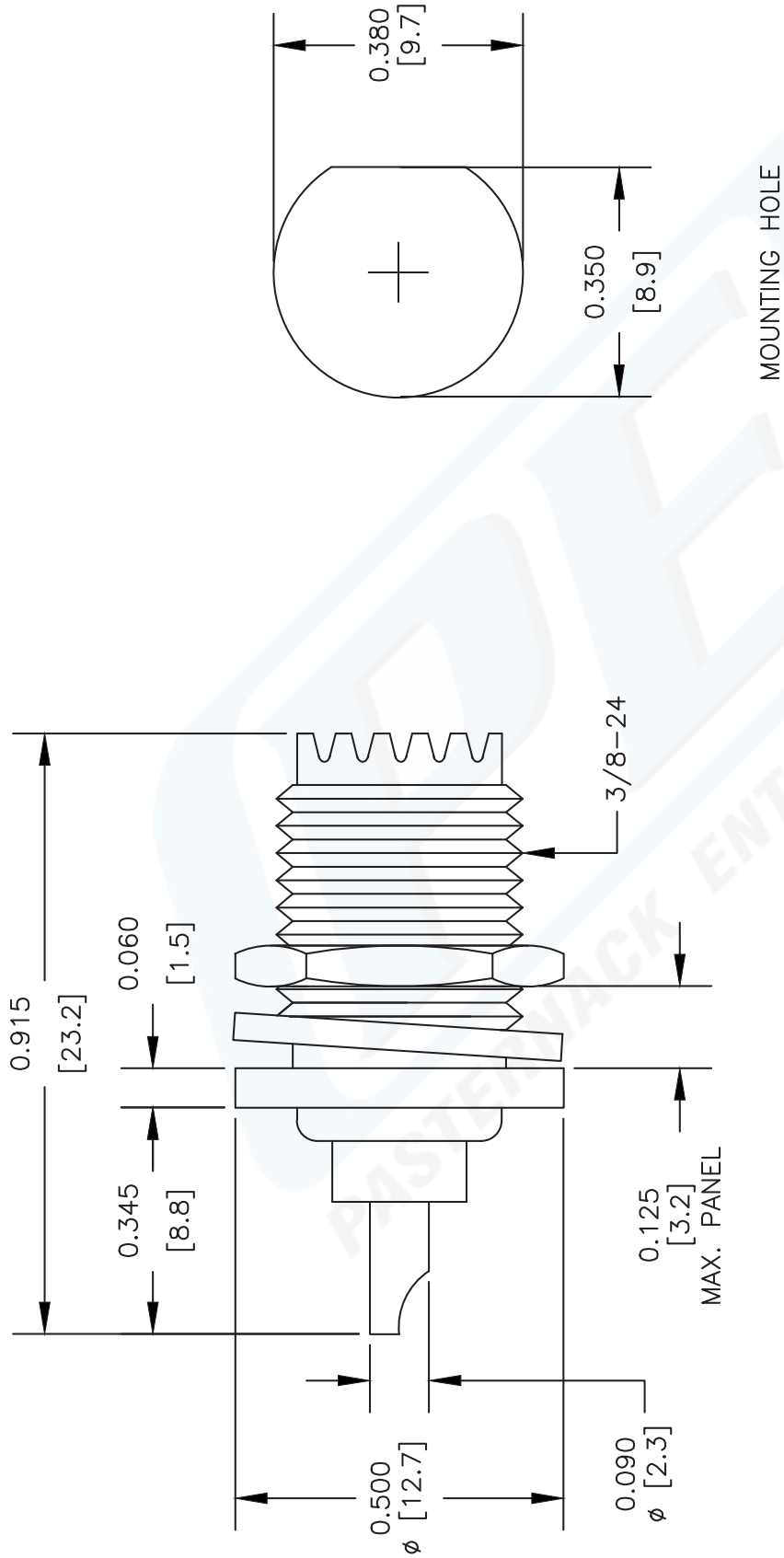
Click the following link (or enter part number in "SEARCH" on website) to obtain additional part information including price, inventory and certifications: [Mini UHF Female Bulkhead Connector Solder Attachment Solder Cup Terminal, .350 inch D Hole, Rear Mount PE4644](#)

URL: <http://www.pasternack.com/mini-uhf-female-standard-solder-cup-terminal-connector-pe4644-p.aspx>

The information contained in this document is accurate to the best of our knowledge and representative of the part described herein. It may be necessary to make modifications to the part and/or the documentation of the part, in order to implement improvements. Pasternack reserves the right to make such changes as required. Unless otherwise stated, all specifications are nominal.

PE4644 CAD Drawing

Mini UHF Female Bulkhead Connector Solder Attachment
Solder Cup Terminal, .350 inch D Hole, Rear Mount



MOUNTING HOLE

DWG TITLE

PE4644

FSCM NO. 53919

NOTES:
1. UNLESS OTHERWISE SPECIFIED ALL DIMENSIONS ARE NOMINAL.
2. ALL SPECIFICATIONS ARE SUBJECT TO CHANGE WITHOUT NOTICE AT ANY TIME.
3. DIMENSIONS ARE IN INCHES [mm].
4. FITS MIL-C-17 AND EQUIVALENT CABLES.

CAD FILE 042309

SCALE N/A

SIZE A

XXXX



Pasternack Enterprises, Inc.
P.O. Box 16759 | Irvine | CA | 92623
Phone: (949) 261-1920 | Fax: (949) 261-7451
Website: www.pasternack.com | E-Mail: sales@pasternack.com