



# MCX Plug Connector Solder Attachment Thru Hole PCB, .200 inch x .052 inch Hole Spacing

## RF Connectors Technical Data Sheet

PE4559

### Configuration

- MCX Plug Connector
- CECC 22220
- 50 Ohms
- Straight Body Geometry
- Thru Hole Interface Type
- Solder Attachment

### Features

- Max. Operating Frequency 6 GHz
- Gold Plated Brass Contact
- 30 µin minimum contact plating

### Applications

- General Purpose Test
- PCB Applications

### Description

Pasternack's PE4559 MCX plug connector with solder attachment for thru hole PCB (.200 inch x .052 inch hole spacing) is part of our full line of RF components available for same-day shipping. Our MCX plug connector operates up to a maximum frequency of 6 GHz.

Our MCX plug connector PE4559 datasheet specifications and drawing with dimensions are shown below in this PDF. Pasternack's broad catalog of RF, microwave and millimeter wave connectors allows designers to configure and customize their signal connections however they like. Whether the need is to provide an I/O for a board design, or simply create a custom cable assembly configuration, Pasternack has the right connector for the job. Pasternack can also expertly build your custom cable assemblies for you and ship same-day.

### Electrical Specifications

Description	Minimum	Typical	Maximum	Units
Frequency Range	DC		6	GHz
Operating Voltage (AC)			335	Vrms
Dielectric Withstanding Voltage (AC)			1,000	Vrms

### Performance by Frequency

Description	F1	F2	F3	F4	F5	Units
Frequency Range	DC to 1	1 to 3				GHz
VSWR, Max	1.22:1	1.35:1				

Click the following link (or enter part number in "SEARCH" on website) to obtain additional part information including price, inventory and certifications: [MCX Plug Connector Solder Attachment Thru Hole PCB, .200 inch x .052 inch Hole Spacing PE4559](#)



MCX Plug Connector Solder Attachment Thru Hole  
PCB, .200 inch x .052 inch Hole Spacing

## RF Connectors Technical Data Sheet

PE4559

### Mechanical Specifications

**Size**

Length	0.384 in [9.75 mm]
Width/Dia.	0.25 in [6.35 mm]
Height	0.25 in [6.35 mm]
Weight	0.007 lbs [3.18 g]

### Material Specifications

Description	Material	Plating
Contact	Brass	Gold 30 µin minimum
Insulation	PTFE	
Body	Brass	Nickel 100 µin minimum

### Environmental Specifications

**Temperature**

Operating Range	-55 to +155 deg C
-----------------	-------------------

Click the following link (or enter part number in "SEARCH" on website) to obtain additional part information including price, inventory and certifications: [MCX Plug Connector Solder Attachment Thru Hole PCB, .200 inch x .052 inch Hole Spacing PE4559](#)



MCX Plug Connector Solder Attachment Thru Hole  
PCB, .200 inch x .052 inch Hole Spacing

RF Connectors Technical Data Sheet

PE4559

**Compliance Certifications** (see [product page](#) for current document)

**Plotted and Other Data**

Notes:

MCX Plug Connector Solder Attachment Thru Hole PCB, .200 inch x .052 inch Hole Spacing from Pasternack Enterprises has same day shipment for domestic and International orders. Our RF, microwave and millimeter wave products maintain a 99% availability and are part of the broadest selection in the industry.

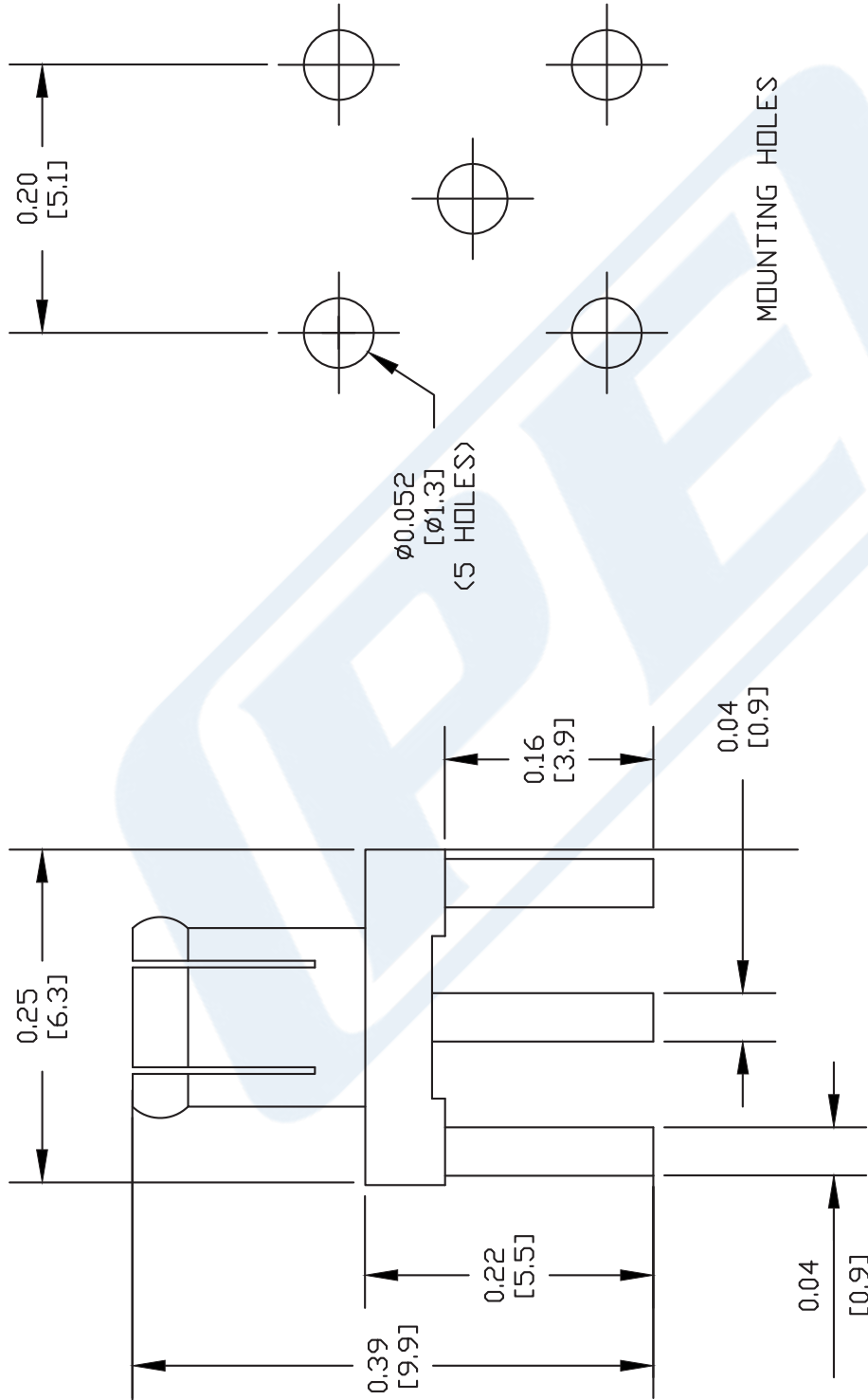
Click the following link (or enter part number in "SEARCH" on website) to obtain additional part information including price, inventory and certifications: [MCX Plug Connector Solder Attachment Thru Hole PCB, .200 inch x .052 inch Hole Spacing PE4559](#)

URL: <https://www.pasternack.com/mcx-plug-standard-thru-hole-pcb-connector-pe4559-p.aspx>

The information contained in this document is accurate to the best of our knowledge and representative of the part described herein. It may be necessary to make modifications to the part and/or the documentation of the part, in order to implement improvements. Pasternack reserves the right to make such changes as required. Unless otherwise stated, all specifications are nominal. Pasternack does not make any representation or warranty regarding the suitability of the part described herein for any particular purpose, and Pasternack does not assume any liability arising out of the use of any part or documentation.

# PE4559 CAD Drawing

MCX Plug Connector Solder Attachment Thru Hole  
PCB, .200 inch x .052 inch Hole Spacing



DWG TITLE

**PE4559**

NOTES:  
1. UNLESS OTHERWISE SPECIFIED ALL DIMENSIONS ARE NOMINAL.  
2. ALL SPECIFICATIONS ARE SUBJECT TO CHANGE WITHOUT NOTICE AT ANY TIME.  
3. DIMENSIONS ARE IN INCHES (mm).  
4. FITS MIL-C-17 AND EQUIVALENT CABLES.

FSCM NO. 53919

CAD FILE 100110-A

SCALE N/A

SIZE A

XXXX



**PASTERNAK®**  
Pasternack Enterprises, Inc.

P.O. Box 16759 | Irvine | CA | 92623

Phone: (949) 261-1920 | Fax: (949) 261-7451

Website: [www.pasternack.com](http://www.pasternack.com) | E-Mail: [sales@pasternack.com](mailto:sales@pasternack.com)