



# 1.85mm Female Connector Clamp/Solder (Captive Contact) Attachment End Launch PCB, Removable End Launch, 0.35 Width

## RF Connectors Technical Data Sheet

PE45402

### Configuration

- 1.85mm Female Connector
- 50 Ohms
- Straight Body Geometry
- End Launch Interface Type
- Clamp/Solder (Captive Contact) Attachment

### Features

- Max. Operating Frequency 67 GHz
- Excellent VSWR of 1.25:1
- Gold Plated Beryllium Copper Contact
- Contact plating according to ASTM B488
- Reusable end launch installation
- PCB Solder or Solderless Contact
- Narrow width of 0.35

### Applications

- General Purpose Test
- PCB Applications
- Coplanar Waveguide Edge Launches
- Signal Integrity Measurements
- Chip Evaluations
- SERDES
- 25 GbE
- Substrate Characterization
- Test Fixtures

### Description

Pasternack's PE45402 1.85mm removable end launch PCB connector is part of our full line of RF components available for same-day shipping. Our 1.85mm solderless edge launch connector operates to a maximum frequency of 67 GHz and offers an excellent VSWR of 1.25:1. The narrow 0.350 inch width connector body saves PCB real estate, supporting higher signal counts for chip evaluations, signal integrity or millimeter wave applications.

Our 1.85mm solderless end launch PCB connector PE45402 datasheet specifications and drawing with dimensions are shown below in this PDF. Pasternack's broad catalog of RF, microwave and millimeter wave connectors allows designers to configure and customize their signal connections however they like. Whether the need is to provide superior signal integrity, higher data rates or simply a test fixture, Pasternack has the right high speed PCB edge launch connections for you.

### Electrical Specifications

Description	Minimum	Typical	Maximum	Units
Frequency Range	DC		67	GHz
VSWR			1.25:1	
Insertion Loss			0.12	dB
Operating Voltage (AC)			650	Vrms

### Performance by Frequency

Description	F1	F2	F3	F4	F5	Units
Frequency Range	DC to 18	18 to 40	40 to 50	50 to 67		GHz
VSWR, Max	1.1:1	1.15:1	1.18:1	1.25:1		

Click the following link (or enter part number in "SEARCH" on website) to obtain additional part information including price, inventory and certifications: [1.85mm Female Connector Clamp/Solder \(Captive Contact\) Attachment End Launch PCB, Removable End Launch, 0.35 Width PE45402](#)



1.85mm Female Connector Clamp/Solder (Captive Contact)  
Attachment End Launch PCB, Removable End Launch, 0.35 Width

RF Connectors  
Technical Data Sheet

PE45402

**Electrical Specification Notes:**

Actual VSWR performance is largely dependent on circuit board design. For optimal results, the connector and circuit launch geometry should be modeled using Electromagnetic Simulation tools.

**Mechanical Specifications**

**Size**

Length	0.595 in [15.11 mm]
Width/Dia.	0.35 in [8.89 mm]
Height	0.321 in [8.15 mm]

**Material Specifications**

Description	Material	Plating
Contact	Beryllium Copper	Gold ASTM B488
Insulation	PCTFE	
Outer Conductor	Steel	
Body	Brass	Nickel AMS 2404B

**Mechanical Specification Notes:**

Launch Pin is Gold Plated Beryllium Copper

**Environmental Specifications**

**Temperature**

Operating Range -55 to +165 deg C

**Compliance Certifications** (see [product page](#) for current document)

**Plotted and Other Data**

Notes:

Click the following link (or enter part number in "SEARCH" on website) to obtain additional part information including price, inventory and certifications: [1.85mm Female Connector Clamp/Solder \(Captive Contact\) Attachment End Launch PCB, Removable End Launch, 0.35 Width PE45402](#)



1.85mm Female Connector Clamp/Solder (Captive Contact)  
Attachment End Launch PCB, Removable End Launch, 0.35 Width

RF Connectors  
Technical Data Sheet

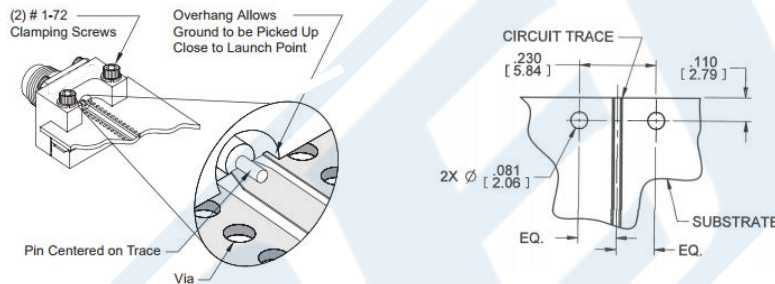
PE45402

**Assembly Instruction**

**End Launch Connectors - Installation Procedure**

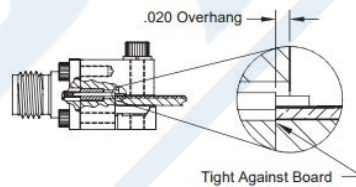
Step 1: Mount the end launch connector, PE45402, in the desired position on the board.

Step 2: Center the connector on the trace.



Step 3: Verify that the transition block is secured on the board.

Step 4: Tighten the 1-72 mounting screws to your boards suggested torque or until the connector is secure.



(Steps 5 – 7 optional, depending on application)

Step 5: If soldering the launch pin to the trace, flow solder the entire length of the contact area.

Step 6: To avoid performance mistakes, remove excess solder.

Step 7: Clean any residue from around the solder joint.



Example Assembly

Click the following link (or enter part number in "SEARCH" on website) to obtain additional part information including price, inventory and certifications: [1.85mm Female Connector Clamp/Solder \(Captive Contact\) Attachment End Launch PCB, Removable End Launch, 0.35 Width PE45402](#)

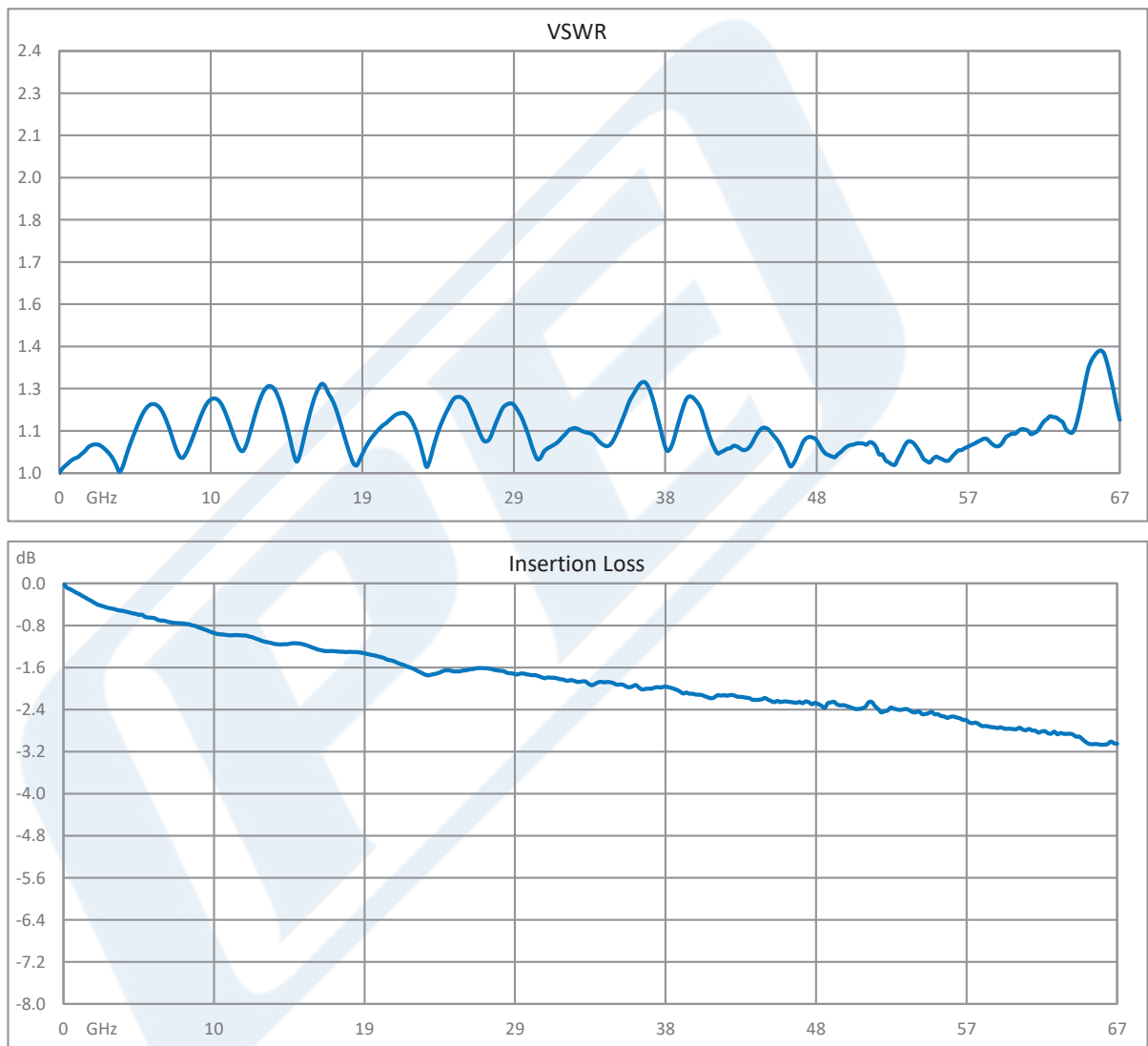


1.85mm Female Connector Clamp/Solder (Captive Contact)  
Attachment End Launch PCB, Removable End Launch, 0.35 Width

RF Connectors  
Technical Data Sheet

PE45402

Typical Performance Data



Test Data Represents Two Connectors and a Microstrip Test Circuit

Click the following link (or enter part number in "SEARCH" on website) to obtain additional part information including price, inventory and certifications: [1.85mm Female Connector Clamp/Solder \(Captive Contact\) Attachment End Launch PCB, Removable End Launch, 0.35 Width PE45402](#)



## 1.85mm Female Connector Clamp/Solder (Captive Contact) Attachment End Launch PCB, Removable End Launch, 0.35 Width

### RF Connectors Technical Data Sheet

PE45402

1.85mm Female Connector Clamp/Solder (Captive Contact) Attachment End Launch PCB, Removable End Launch, 0.35 Width from Pasternack Enterprises has same day shipment for domestic and International orders. Our RF, microwave and millimeter wave products maintain a 99.4% availability and are part of the broadest selection in the industry.

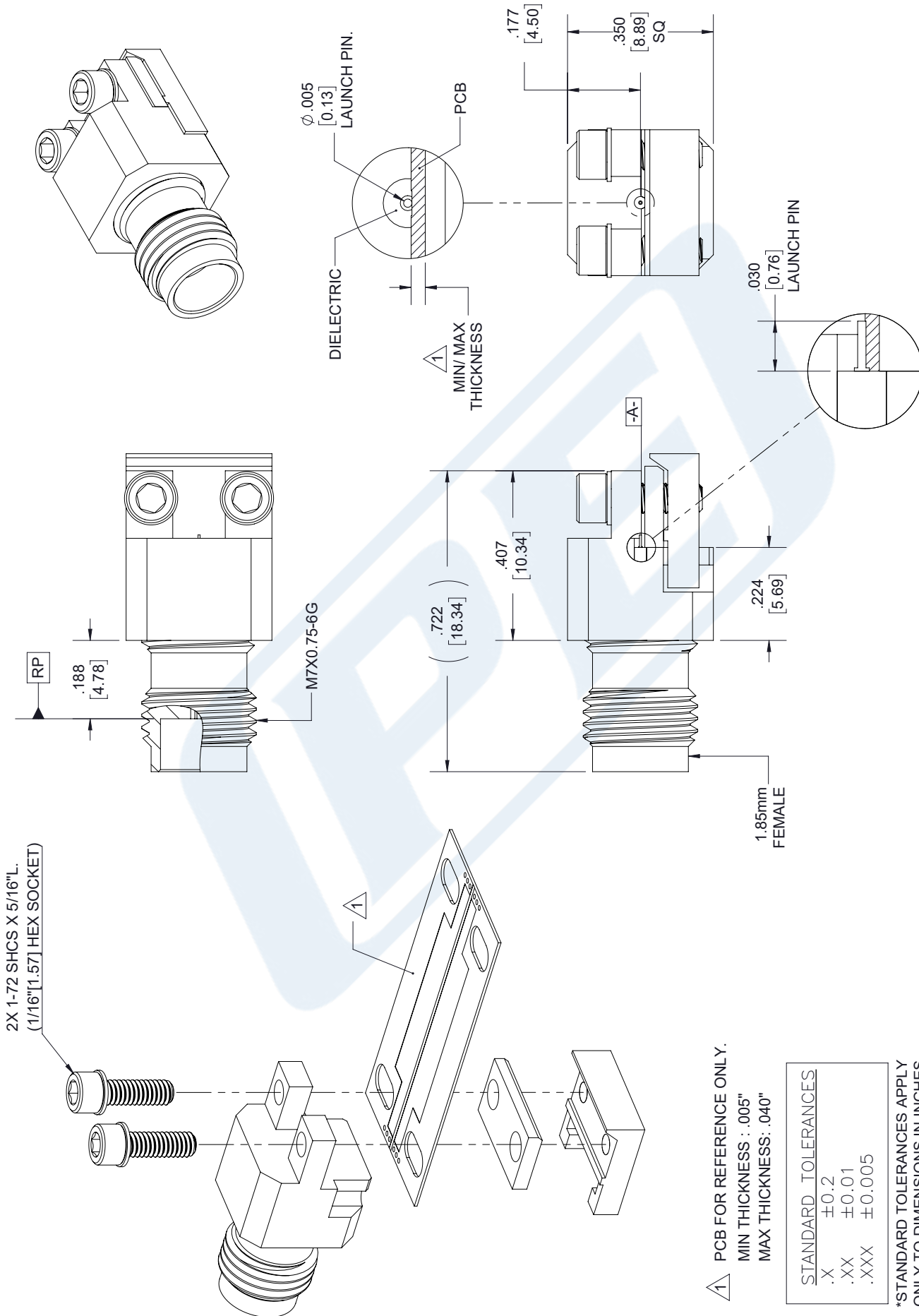
Click the following link (or enter part number in "SEARCH" on website) to obtain additional part information including price, inventory and certifications: [1.85mm Female Connector Clamp/Solder \(Captive Contact\) Attachment End Launch PCB, Removable End Launch, 0.35 Width PE45402](#)

URL: <https://www.pasternack.com/1.85mm-female-end-launch-pcb-connector-pe45402-p.aspx>

The information contained in this document is accurate to the best of our knowledge and representative of the part described herein. It may be necessary to make modifications to the part and/or the documentation of the part, in order to implement improvements. Pasternack reserves the right to make such changes as required. Unless otherwise stated, all specifications are nominal. Pasternack does not make any representation or warranty regarding the suitability of the part described herein for any particular purpose, and Pasternack does not assume any liability arising out of the use of any part or documentation.

# PE45402 CAD Drawing

1.85mm Female Connector Clamp/Solder (Captive Contact) Attachment  
End Launch PCB, Removable End Launch, 0.35 Width



NOTES:  
1. UNLESS OTHERWISE SPECIFIED ALL DIMENSIONS ARE NOMINAL.  
2. ALL SPECIFICATIONS ARE SUBJECT TO CHANGE WITHOUT NOTICE AT ANY TIME  
3. DIMENSIONS ARE IN INCHES [mm].

DWG TITLE  
**PE45402**

**PE PASTERNAK®**  
THE ENGINEER'S RF SOURCE  
Pasternack Enterprises, Inc.  
P.O. Box 16759 | Irvine | CA | 92623  
Phone: (949) 261-1920 | Fax: (949) 261-7451  
Website: www.pasternack.com | E-Mail: sales@pasternack.com

CAD FILE 102617

CAGE CODE **53919**

SCALE N/A

SIZE A

7361