



## BMA Plug Slide-On Hermetically Sealed Thread-In Mount, With Extended Contact

### RF Connectors Technical Data Sheet

PE45352

#### Configuration

- Slide-On BMA Plug Connector
- 50 Ohms
- Straight Body Geometry
- Thread-In

#### Features

- Max. Operating Frequency 22 GHz
- Excellent VSWR of 1.25:1
- Gold Plated Beryllium Copper Contact
- 51.18µ in. minimum contact plating
- Blind Mate Connector
- Hermetically Sealed
- Low-Engagement Force

#### Applications

- General Purpose Test
- Blind Mating
- Rack and Panel
- Phased Array Systems
- Base Stations
- RF Backplanes
- Test I/O

#### Description

Pasternack's PE45352 BMA plug slide-on thread-in mount hermetically sealed connector with none attachment is part of our full line of RF components available for same-day shipping. Our BMA plug connector operates up to a maximum frequency of 22 GHz and offers excellent VSWR of 1.25:1. The Pasternack blind mate connector is ideal for applications where direct visual or tactile access to the connection point is not possible, for example, when two circuit boards need to be mated.

Our BMA plug thread-in connector PE45352 datasheet specifications and drawing with dimensions are shown below in this PDF. Pasternack's broad catalog of RF, microwave and millimeter wave connectors allows designers to configure and customize their signal connections however they like. Whether the need is to provide an I/O for a board design, or simply create a custom cable assembly configuration, Pasternack has the right connector for the job. Pasternack can also expertly build your custom cable assemblies for you and ship same-day.

#### Electrical Specifications

Description	Minimum	Typical	Maximum	Units
Frequency Range	DC		22	GHz
VSWR			1.25:1	
Insertion Loss			0.32	dB
Operating Voltage (AC)			500	Vrms
Dielectric Withstanding Voltage (AC)			1,500	Vrms
Insulation Resistance	5,000			MOhms

#### Mechanical Specifications

##### Size

Length	0.47 in [11.94 mm]
Width/Dia.	0.25 in [6.35 mm]

Click the following link (or enter part number in "SEARCH" on website) to obtain additional part information including price, inventory and certifications: [BMA Plug Slide-On Hermetically Sealed Thread-In Mount, With Extended Contact PE45352](#)



## BMA Plug Slide-On Hermetically Sealed Thread-In Mount, With Extended Contact

### RF Connectors Technical Data Sheet

PE45352

Weight	0.007 lbs [3.18 g]
Mating Cycles	1,000 Cycles

#### Material Specifications

Description	Material	Plating
Contact	Beryllium Copper	Gold 51.18μ in. minimum
Insulation	PTFE	
Body	Stainless Steel	Gold 19.68μ in. minimum
Gasket	Aluminum Alloy	

#### Environmental Specifications

##### Temperature

Operating Range	-65 to +125 deg C
Hermetic Seal	1E-8 atm. cm <sup>3</sup> /s (Helium)

#### Compliance Certifications (see [product page](#) for current document)

#### Plotted and Other Data

Notes:

BMA Plug Slide-On Hermetically Sealed Thread-In Mount, With Extended Contact from Pasternack Enterprises has same day shipment for domestic and International orders. Our RF, microwave and millimeter wave products maintain a 99.4% availability and are part of the broadest selection in the industry.

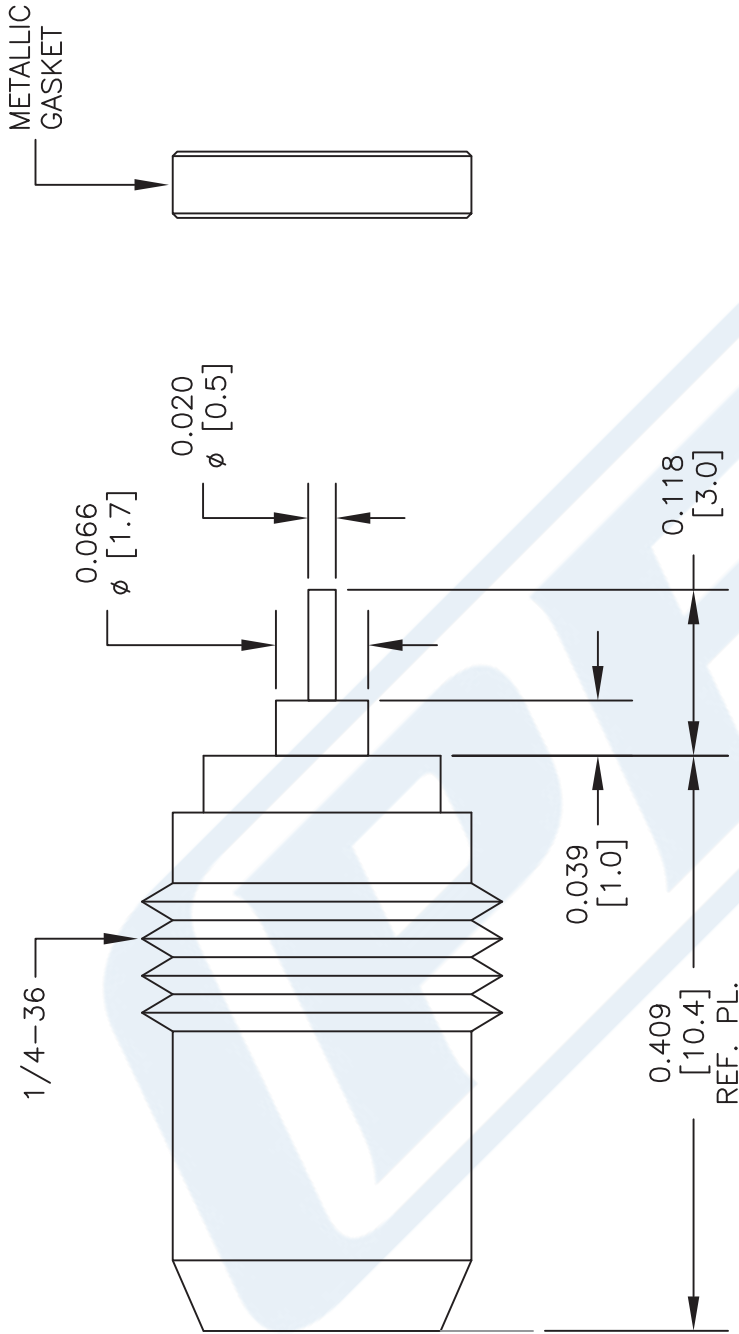
Click the following link (or enter part number in "SEARCH" on website) to obtain additional part information including price, inventory and certifications: [BMA Plug Slide-On Hermetically Sealed Thread-In Mount, With Extended Contact PE45352](#)

URL: <https://www.pasternack.com/bma-plug-slide-on-connector-pe45352-p.aspx>

The information contained in this document is accurate to the best of our knowledge and representative of the part described herein. It may be necessary to make modifications to the part and/or the documentation of the part, in order to implement improvements. Pasternack reserves the right to make such changes as required. Unless otherwise stated, all specifications are nominal. Pasternack does not make any representation or warranty regarding the suitability of the part described herein for any particular purpose, and Pasternack does not assume any liability arising out of the use of any part or documentation.

# PE45352 CAD Drawing

BMA Plug Slide-On Hermetically Sealed Thread-In Mount, With Extended Contact



### STANDARD TOLERANCES

.X ±0.2  
.XX ±0.1  
.XXX ±0.05

\*STANDARD TOLERANCES APPLY ONLY TO DIMENSIONS IN INCHES



Pasternack Enterprises, Inc.  
P.O. Box 16759 | Irvine | CA | 92623  
Phone: (949) 261-1920 | Fax: (949) 261-7451  
Website: www.pasternack.com | E-Mail: sales@pasternack.com

DWG TITLE

**PE45352**

NOTES:  
1. UNLESS OTHERWISE SPECIFIED ALL DIMENSIONS ARE NOMINAL.  
2. ALL SPECIFICATIONS ARE SUBJECT TO CHANGE WITHOUT NOTICE AT ANY TIME.  
3. DIMENSIONS ARE IN INCHES [mm].

CAGE CODE 53919

CAD FILE 020917

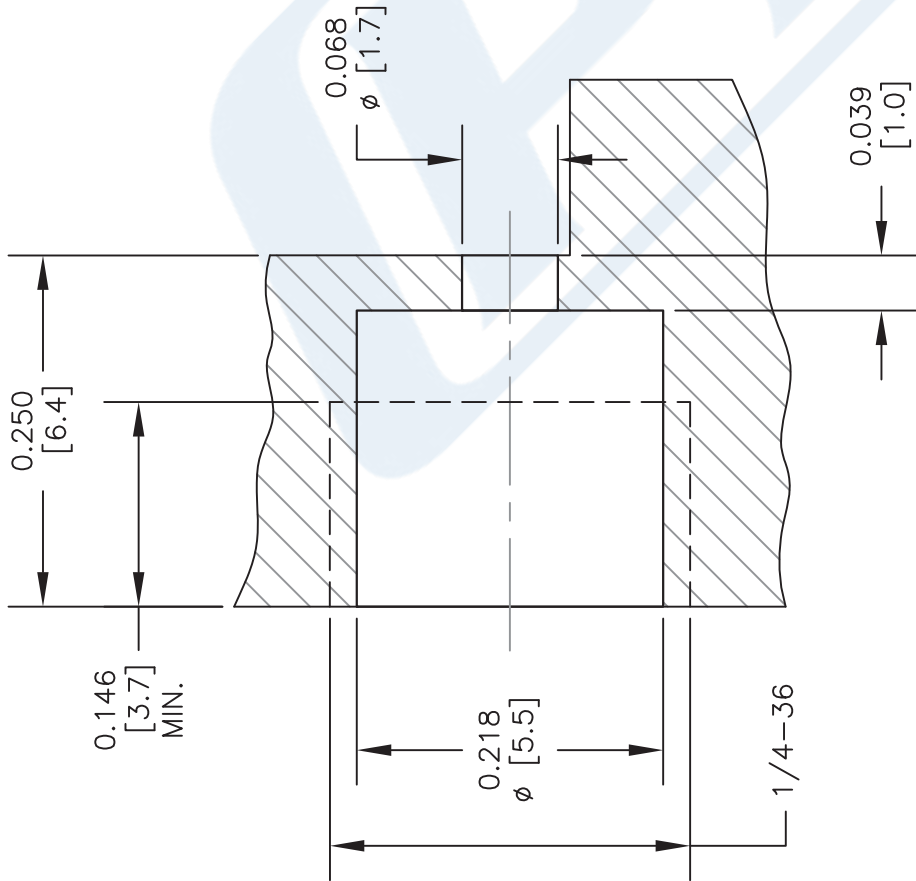
SCALE N/A

SIZE A

2233

# PE45352 CAD Drawing

BMA Plug Slide-On Hermetically Sealed Thread-In Mount, With Extended Contact

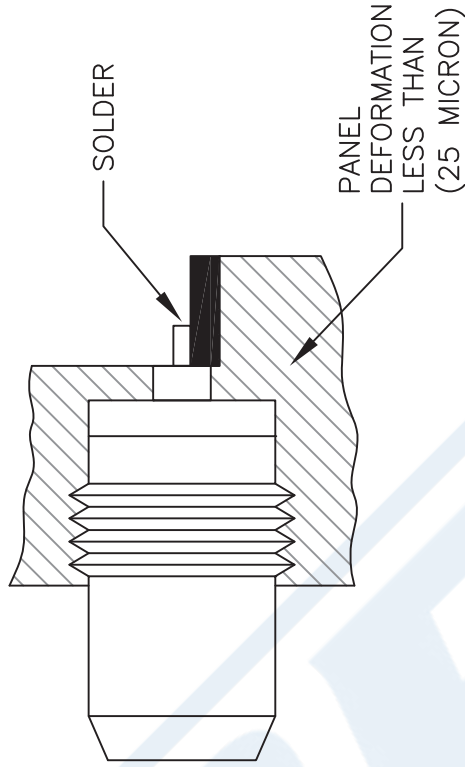


## PANEL DRILLING

### STANDARD TOLERANCES

.X ±0.2  
.XX ±0.1  
.XXX ±0.05

\*STANDARD TOLERANCES APPLY ONLY TO DIMENSIONS IN INCHES



## MOUNTING PROCEDURE

1. Assemble metal gasket onto connector.
2. Tighten the connector up to 280 Ncm torque (24.78 Lbs. In)
3. Thus the connection hermeticity is guaranteed at 1 . 10-5 atm.cm3/sec. Then solder the pin.

DWG TITLE

**PE45352**

NOTES:  
1. UNLESS OTHERWISE SPECIFIED ALL DIMENSIONS ARE NOMINAL.  
2. ALL SPECIFICATIONS ARE SUBJECT TO CHANGE WITHOUT NOTICE AT ANY TIME.  
3. DIMENSIONS ARE IN INCHES [mm].

CAGE CODE 53919

CAD FILE 020917

SCALE N/A

SIZE A

2233

**PE PASTERNAK**  
THE ENGINEER'S RF SOURCE

Pasternack Enterprises, Inc.  
P.O. Box 16759 | Irvine | CA | 92623  
Phone: (949) 261-1920 | Fax: (949) 261-7451  
Website: www.pasternack.com | E-Mail: sales@pasternack.com