



MMBX Plug Slide-On Connector Solder Attachment Surface Mount PCB, With Male Center Contact, 1 Reel Contains 750 pieces

**750 pcs.**

## RF Connectors Technical Data Sheet

PE45259TR750

### Configuration

- Slide-On MMBX Plug Connector
- 50 Ohms
- Straight Body Geometry
- Surface Mount Interface Type
- Solder/Solder Attachment

### Features

- Max. Operating Frequency 12.4 GHz
- Excellent VSWR of 1.06:1
- Gold Plated Beryllium Copper Contact
- Blind Mate Connection
- Small circuit footprint for high density applications
- packaging available for pick and place circuit board manufacturing
- Mechanical misalignment tolerance of 4.5deg/0.7mm Max

### Applications

- General Purpose Test
- PCB Applications
- Circuit board test point
- PCB applications
- Low cost blind mate interconnect
- Board to board applications requiring multiple coaxial connections

### Description

Pasternack's PE45259TR750 MMBX plug slide-on connector with solder/solder attachment for surface mount PCB is part of our full line of RF components available for same-day shipping. Our MMBX plug connector operates up to a maximum frequency of 12.4 GHz and offers excellent VSWR of 1.06:1.

Our MMBX plug connector PE45259TR750 datasheet specifications and drawing with dimensions are shown below in this PDF. Pasternack's broad catalog of RF, microwave and millimeter wave connectors allows designers to configure and customize their signal connections however they like. Whether the need is to provide an I/O for a board design, or simply create a custom cable assembly configuration, Pasternack has the right connector for the job. Pasternack can also expertly build your custom cable assemblies for you and ship same-day.

### Electrical Specifications

Description	Minimum	Typical	Maximum	Units
Frequency Range	DC		12.4	GHz
VSWR			1.06:1	
Insertion Loss			0.12	dB
Operating Voltage (DC)			300	Vdc
Dielectric Withstanding Voltage (DC)			1,000	Vdc
Insulation Resistance	1,000			MOhms

Electrical Specification Notes:  
MMBX Plug has a male center contact

Click the following link (or enter part number in "SEARCH" on website) to obtain additional part information including price, inventory and certifications: [MMBX Plug Slide-On Connector Solder Attachment Surface Mount PCB, With Male Center Contact, 1 Reel Contains 750 pieces PE45259TR750](#)



MMBX Plug Slide-On Connector Solder Attachment Surface Mount PCB, With Male Center Contact, 1 Reel Contains 750 pieces

**750 pcs.**

RF Connectors Technical Data Sheet

PE45259TR750

**Mechanical Specifications**

<b>Size</b>	
Length	0.24 in [6.1 mm]
Width/Dia.	0.24 in [6.10 mm]
Height	0.217 in [5.51 mm]
Mating Cycles	500 Cycles

**Material Specifications**

Description	Material	Plating
Contact	Beryllium Copper	Gold
Insulation	PTFE	
Outer Conductor	Brass	Gold
Body	Brass	Gold

**Environmental Specifications**

<b>Temperature</b>	
Operating Range	-55 to +155 deg C

Click the following link (or enter part number in "SEARCH" on website) to obtain additional part information including price, inventory and certifications: [MMBX Plug Slide-On Connector Solder Attachment Surface Mount PCB, With Male Center Contact, 1 Reel Contains 750 pieces PE45259TR750](#)





MMBX Plug Slide-On Connector Solder Attachment Surface Mount PCB, With Male Center Contact, 1 Reel Contains 750 pieces

**750 pcs.**

## RF Connectors Technical Data Sheet

PE45259TR750

**Compliance Certifications** (see [product page](#) for current document)

### Plotted and Other Data

Notes:

MMBX Plug Slide-On Connector Solder Attachment Surface Mount PCB, With Male Center Contact, 1 Reel Contains 750 pieces from Pasternack Enterprises has same day shipment for domestic and International orders. Our RF, microwave and millimeter wave products maintain a 99% availability and are part of the broadest selection in the industry.

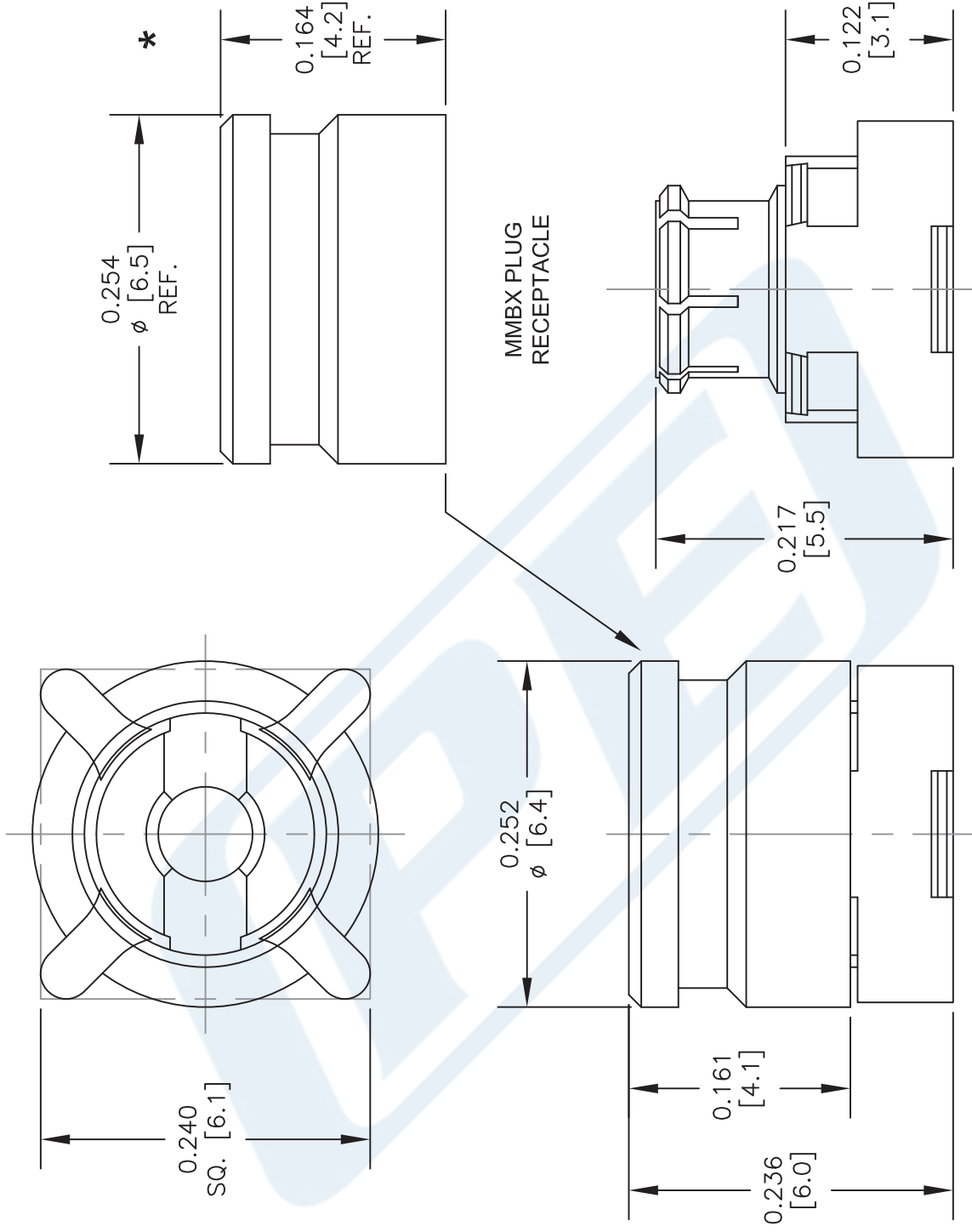
Click the following link (or enter part number in "SEARCH" on website) to obtain additional part information including price, inventory and certifications: [MMBX Plug Slide-On Connector Solder Attachment Surface Mount PCB, With Male Center Contact, 1 Reel Contains 750 pieces PE45259TR750](#)

URL: <https://www.pasternack.com/mmbx-plug-slide-on-surface-mount-pcb-connector-pe45259tr750-p.aspx>

The information contained in this document is accurate to the best of our knowledge and representative of the part described herein. It may be necessary to make modifications to the part and/or the documentation of the part, in order to implement improvements. Pasternack reserves the right to make such changes as required. Unless otherwise stated, all specifications are nominal. Pasternack does not make any representation or warranty regarding the suitability of the part described herein for any particular purpose, and Pasternack does not assume any liability arising out of the use of any part or documentation.

# PE45259TR750 CAD Drawing

MMBX Plug Slide-On Connector Solder Attachment Surface Mount PCB, With Male Center Contact, 1 Reel Contains 750 pieces



MMBX PLUG RECEPTACLE

\* CAP FOR MANUFACTURING PROCESS

STANDARD TOLERANCES	
.X	±0.2
.XX	±0.1
.XXX	±0.05

\*STANDARD TOLERANCES APPLY ONLY TO DIMENSIONS IN INCHES

<p>NOTES:</p> <ol style="list-style-type: none"> <li>UNLESS OTHERWISE SPECIFIED ALL DIMENSIONS ARE NOMINAL.</li> <li>ALL SPECIFICATIONS ARE SUBJECT TO CHANGE WITHOUT NOTICE AT ANY TIME.</li> <li>DIMENSIONS ARE IN INCHES [mm].</li> </ol>	
<p>DWG TITLE</p> <h2>PE45259TR750</h2>	
<p>FSCM NO. 53919</p>	<p>CAD FILE 092816</p>
<p>SCALE N/A</p>	<p>SIZE A</p>
<p>2233</p>	

**PE PASTERNAK**  
 THE ENGINEER'S RF SOURCE  
 Pasternack Enterprises, Inc.  
 P.O. Box 16759 | Irvine | CA | 92623  
 Phone: (949) 261-1920 | Fax: (949) 261-7451  
 Website: www.pasternack.com | E-Mail: sales@pasternack.com

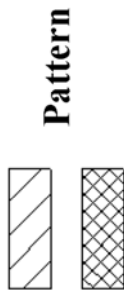
# PE45259TR750 CAD Drawing

MMBX Plug Slide-On Connector Solder Attachment Surface Mount PCB, With Male Center Contact, 1 Reel Contains 750 pieces

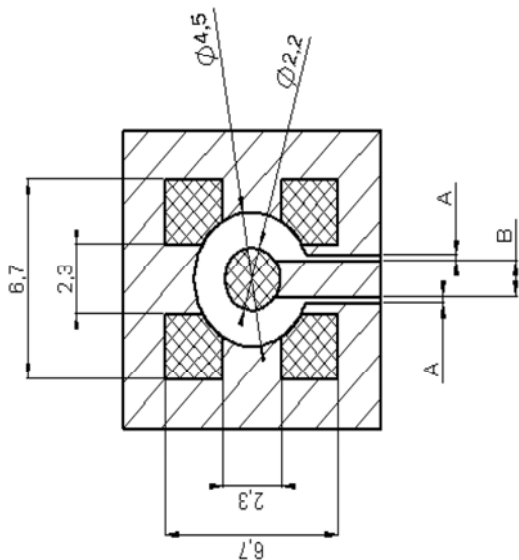
## PCB

### COPLANAR LINE

Pattern and signal are on the same side  
The material of PCB is epoxy resin (FR4).  
(Er = 4.6)  
The solder resist should be printed  
Except for the land pattern on the PCB



### Pattern



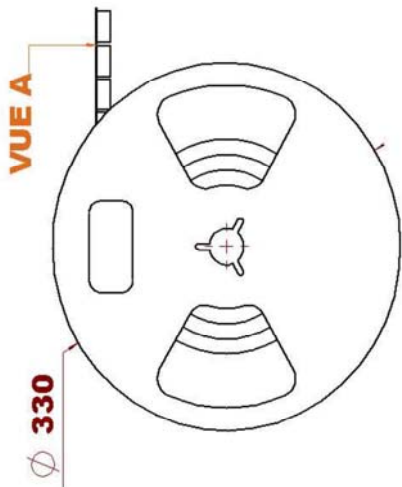
APPLICATION 75Ω  
WITH B = 0.55 mm  
0.0216 Inches

PCB Thickness [mm] Inches	Coplanar Ligne A [mm] Inches
0.0314 [0.8]	0.0137 [0.350]
0.0393 [1.0]	0.0141 [0.360]
0.0472 [1.2]	0.0143 [0.365]
0.0629 [1.6]	0.0147 [0.375]

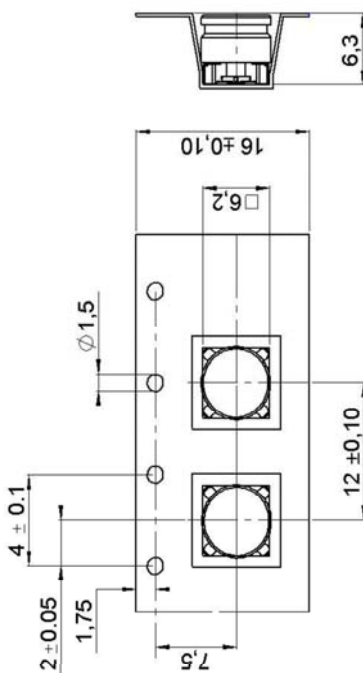
### STANDARD TOLERANCES

.X ±0.2  
.XX ±0.1  
.XXX ±0.05

\*STANDARD TOLERANCES APPLY ONLY TO DIMENSIONS IN INCHES



### VUE A



APPLICATION 50Ω  
WITH B = 1.2 mm  
0.0472 Inches

PCB Thickness [mm] Inches	Coplanar Ligne A [mm] Inches
0.0314 [0.8]	0.0074 [0.190]
0.0393 [1.0]	0.0078 [0.200]
0.0472 [1.2]	0.0080 [0.205]
0.0629 [1.6]	0.0082 [0.210]

### DWG TITLE

**PE45259TR750**

NOTES:  
1. UNLESS OTHERWISE SPECIFIED ALL DIMENSIONS ARE NOMINAL.  
2. ALL SPECIFICATIONS ARE SUBJECT TO CHANGE WITHOUT NOTICE AT ANY TIME.  
3. DIMENSIONS ARE IN INCHES [mm].

**PE PASTERNAK**  
THE ENGINEER'S RF SOURCE  
Pasternack Enterprises, Inc.  
P.O. Box 16759 | Irvine | CA | 92623  
Phone: (949) 261-1920 | Fax: (949) 261-7451  
Website: www.pasternack.com | E-Mail: sales@pasternack.com

FSCM NO. 53919

CAD FILE 092816

SCALE N/A

SIZE A

2233