



## MMBX Plug Right Angle Snap-On Connector Solder Attachment for RG405, PE-SR405FL, PE-SR405FLJ, with male center contact

### RF Connectors Technical Data Sheet

PE45257

#### Configuration

- Snap-On MMBX Plug Connector
- 50 Ohms
- Right Angle Body Geometry
- RG405, PE-SR405FL, PE-SR405FLJ Interface Type
- Solder/Solder Attachment

#### Features

- Max. Operating Frequency 12.4 GHz
- Excellent VSWR of 1.2:1
- Gold Plated Beryllium Copper Contact
- Blind Mate Connector
- Reliable Snap-On connection method
- Small circuit footprint for high density applications
- Mechanical misalignment tolerance of 4.5°/0.7mm Max

#### Applications

- General Purpose Test
- Custom Cable Assemblies
- Low cost blind mate interconnect
- Multi circuit board radios
- Board to board applications requiring multiple coaxial connections

#### Description

Pasternack's PE45257 MMBX plug right angle snap-on connector solder attachment for RG405, PE-SR405FL, PE-SR405FLJ is part of our full line of RF components available for same-day shipping. Our MMBX plug connector operates up to a maximum frequency of 12.4 GHz and offers excellent VSWR of 1.2:1. Its right angle body geometry allows for easier connections in tight spaces. The Pasternack blind mate connector is ideal for applications where direct visual or tactile access to the connection point is not possible, for example, when two circuit boards need to be mated.

Our MMBX plug right angle connector PE45257 datasheet specifications and drawing with dimensions are shown below in this PDF. Pasternack's broad catalog of RF, microwave and millimeter wave connectors allows designers to configure and customize their signal connections however they like. Whether the need is to provide an I/O for a board design, or simply create a custom cable assembly configuration, Pasternack has the right connector for the job. Pasternack can also expertly build your custom cable connector assemblies for you and ship same-day.

#### Electrical Specifications

Description	Minimum	Typical	Maximum	Units
Frequency Range	DC		12.4	GHz
VSWR			1.2:1	
Insertion Loss			0.18	dB
Operating Voltage (DC)			250	Vdc
Dielectric Withstanding Voltage (DC)			750	Vdc
Insulation Resistance	1,000			MOhms

Electrical Specification Notes:  
MMBX Plug has a male center contact

Click the following link (or enter part number in "SEARCH" on website) to obtain additional part information including price, inventory and certifications: [MMBX Plug Right Angle Snap-On Connector Solder Attachment for RG405, PE-SR405FL, PE-SR405FLJ, with male center contact PE45257](#)



MMBX Plug Right Angle Snap-On Connector Solder Attachment  
for RG405, PE-SR405FL, PE-SR405FLJ, with male center contact

## RF Connectors Technical Data Sheet

PE45257

### Mechanical Specifications

**Size**

Length	0.4 in [10.16 mm]
Width/Dia.	0.24 in [6.10 mm]
Weight	0.00672 lbs [3.05 g]
Mating Cycles	100 Cycles

### Material Specifications

Description	Material	Plating
Contact	Beryllium Copper	Gold
Insulation	PTFE	
Outer Conductor	Brass	Gold
Body	Brass	Gold

### Environmental Specifications

**Temperature**

Operating Range	-55 to +155 deg C
-----------------	-------------------

Click the following link (or enter part number in "SEARCH" on website) to obtain additional part information including price, inventory and certifications: [MMBX Plug Right Angle Snap-On Connector Solder Attachment for RG405, PE-SR405FL, PE-SR405FLJ, with male center contact PE45257](#)



## MMBX Plug Right Angle Snap-On Connector Solder Attachment for RG405, PE-SR405FL, PE-SR405FLJ, with male center contact

### RF Connectors Technical Data Sheet

PE45257

**Compliance Certifications** (see [product page](#) for current document)

#### Plotted and Other Data

Notes:

MMBX Plug Right Angle Snap-On Connector Solder Attachment for RG405, PE-SR405FL, PE-SR405FLJ, with male center contact from Pasternack Enterprises has same day shipment for domestic and International orders. Our RF, microwave and millimeter wave products maintain a 99% availability and are part of the broadest selection in the industry.

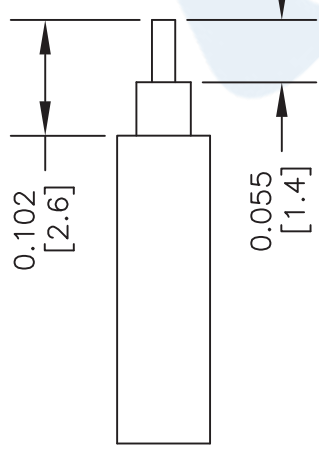
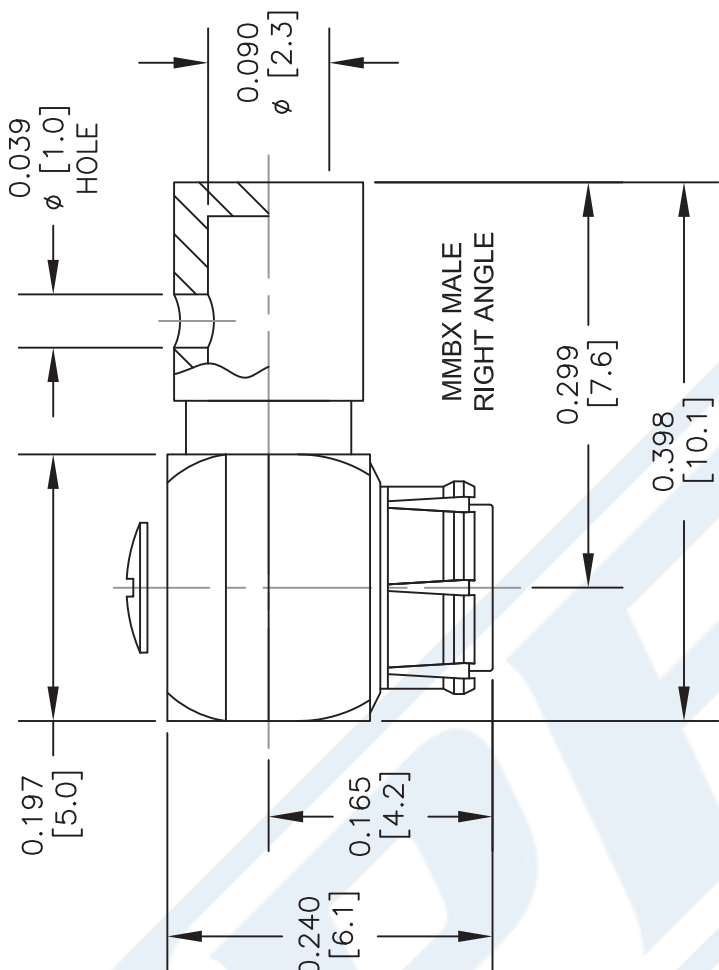
Click the following link (or enter part number in "SEARCH" on website) to obtain additional part information including price, inventory and certifications: [MMBX Plug Right Angle Snap-On Connector Solder Attachment for RG405, PE-SR405FL, PE-SR405FLJ, with male center contact PE45257](#)

URL: <https://www.pasternack.com/mmbx-plug-snap-on-rg405-pe-sr405fl-pe-sr405flj-connector-pe45257-p.aspx>

The information contained in this document is accurate to the best of our knowledge and representative of the part described herein. It may be necessary to make modifications to the part and/or the documentation of the part, in order to implement improvements. Pasternack reserves the right to make such changes as required. Unless otherwise stated, all specifications are nominal. Pasternack does not make any representation or warranty regarding the suitability of the part described herein for any particular purpose, and Pasternack does not assume any liability arising out of the use of any part or documentation.

# PE45257 CAD Drawing

MMBX Plug Right Angle Snap-On Connector Solder Attachment for  
RG405, PE-SR405FL, PE-SR405FLJ, with male center contact



### STRIPPING DIMENSIONS

### ASSEMBLY PROCEDURES

1. STRIP CABLE AS SHOWN & TIN CENTER CONDUCTOR.
2. INSERT CABLE INTO BODY UNTIL OUTER CONDUCTOR BOTTOMS OUT. THE CENTER CONDUCTOR WILL PROTRUDE INTO CONTACT SLOT.
3. SOLDER CENTER CONDUCTOR INTO SLOT AND OUTER CONDUCTOR TO BODY. PRESS CAP INTO CONNECTOR BODY.

STANDARD TOLERANCES	
.X	±0.2
.XX	±0.1
.XXX	±0.05

\*STANDARD TOLERANCES APPLY ONLY TO DIMENSIONS IN INCHES

DWG TITLE

**PE45257**

- NOTES:
1. UNLESS OTHERWISE SPECIFIED ALL DIMENSIONS ARE NOMINAL.
  2. ALL SPECIFICATIONS ARE SUBJECT TO CHANGE WITHOUT NOTICE AT ANY TIME.
  3. DIMENSIONS ARE IN INCHES [mm].
  4. FITS MIL-C-17 AND EQUIVALENT CABLES.

**(PE) PASTERNAK®**  
THE ENGINEER'S RF SOURCE  
Pasternack Enterprises, Inc.  
P.O. Box 16759 | Irvine | CA | 92623  
Phone: (949) 261-1920 | Fax: (949) 261-7451  
Website: www.pasternack.com | E-Mail: sales@pasternack.com

FSCM NO. 53919

CAD FILE 092816

SCALE N/A

SIZE A

2233