



## 75 Ohm 1.0/2.3 Plug Push-On Connector Crimp/Crimp Attachment for RG59

### RF Connectors Technical Data Sheet

PE45234

#### Configuration

- Push-On 1.0/2.3 Plug Connector
- 75 Ohms
- Straight Body Geometry
- RG59 Interface Type
- Crimp/Crimp Attachment

#### Features

- Push-On connection
- Secure locking mechanism
- Performance to 3 GHz
- 500 Mating cycles

#### Applications

- Data Communications
- Video Processors
- Switching Equipment

#### Description

Pasternack's 75 Ohm DIN 1.0/2.3 connectors allow for a secure locking push-pull connection. These 1.0/2.3 connectors have an impedance of 75 Ohms and operate to 3 GHz, making these RF connectors an excellent choice for many data communications and audio/video applications. The small size of these 75 ohm 1.0/2.3 DIN connectors allows for a dense connector-to-connector footprint, saving valuable space in panels and other applications requiring a high number of interconnects. The durable positive locking connectors have a mating life of up to 500 connections. Pasternack can also ship same day standard and custom cable assemblies using this popular connector.

#### Electrical Specifications

Description	Minimum	Typical	Maximum	Units
Frequency Range	DC		3	GHz
VSWR			1.15:1	

#### Mechanical Specifications

Size	
Length	1.33 in [33.78 mm]
Width/Dia.	0.307 in [7.80 mm]
Weight	0.019 lbs [8.62 g]

Click the following link (or enter part number in "SEARCH" on website) to obtain additional part information including price, inventory and certifications: [75 Ohm 1.0/2.3 Plug Push-On Connector Crimp/Crimp Attachment for RG59 PE45234](#)



## 75 Ohm 1.0/2.3 Plug Push-On Connector Crimp/Crimp Attachment for RG59

### RF Connectors Technical Data Sheet

PE45234

#### Material Specifications

Description	Material	Plating
Contact	Brass	Gold
Insulation	PTFE	
Body	Brass	Nickel
Coupling Nut	Brass	Nickel
Crimp Sleeve	Brass	Nickel

#### Environmental Specifications

##### Temperature

Operating Range

-65 to 165 deg C

**Compliance Certifications** (see [product page](#) for current document)

#### Plotted and Other Data

Notes:

75 Ohm 1.0/2.3 Plug Push-On Connector Crimp/Crimp Attachment for RG59 from Pasternack Enterprises has same day shipment for domestic and International orders. Our RF, microwave and millimeter wave products maintain a 99% availability and are part of the broadest selection in the industry.

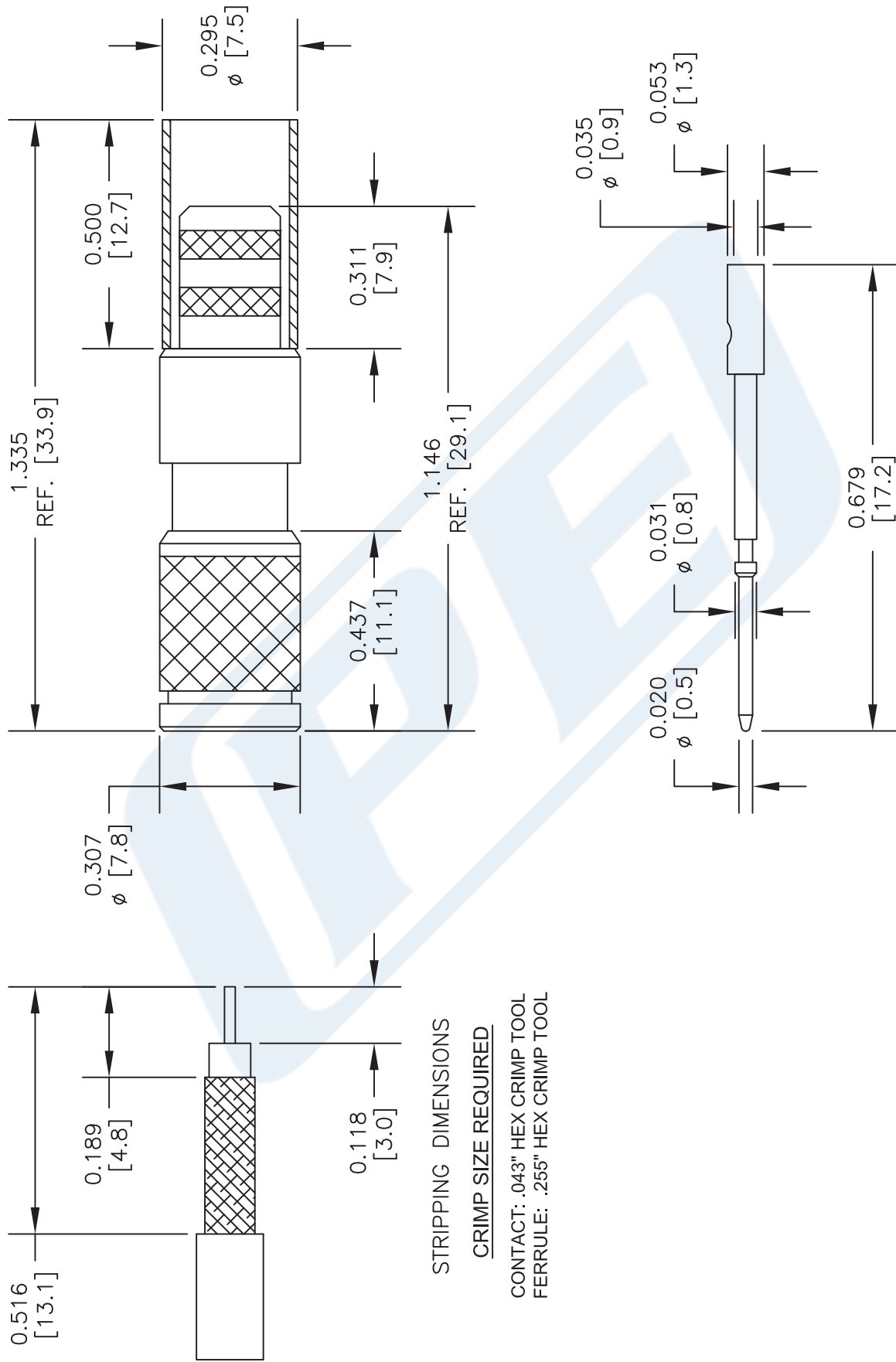
Click the following link (or enter part number in "SEARCH" on website) to obtain additional part information including price, inventory and certifications: [75 Ohm 1.0/2.3 Plug Push-On Connector Crimp/Crimp Attachment for RG59 PE45234](#)

URL: <https://www.pasternack.com/1.0-2.3-plug-push-on-rg59-connector-pe45234-p.aspx>

The information contained in this document is accurate to the best of our knowledge and representative of the part described herein. It may be necessary to make modifications to the part and/or the documentation of the part, in order to implement improvements. Pasternack reserves the right to make such changes as required. Unless otherwise stated, all specifications are nominal. Pasternack does not make any representation or warranty regarding the suitability of the part described herein for any particular purpose, and Pasternack does not assume any liability arising out of the use of any part or documentation.

# PE45234 CAD Drawing

75 Ohm 1.0/2.3 Plug Push-On Connector Crimp/Crimp Attachment for RG59



DWG TITLE

**PE45234**

- NOTES:  
1. UNLESS OTHERWISE SPECIFIED ALL DIMENSIONS ARE NOMINAL.  
2. ALL SPECIFICATIONS ARE SUBJECT TO CHANGE WITHOUT NOTICE AT ANY TIME.  
3. DIMENSIONS ARE IN INCHES [mm].  
4. FITS MIL-C-17 AND EQUIVALENT CABLES.

FSCM NO. 53919

CAD FILE 060616

SCALE N/A

SIZE A

2233

**(PE) PASTERNAK®**  
THE ENGINEER'S RF SOURCE

Pasternack Enterprises, Inc.  
P.O. Box 16759 | Irvine | CA | 92623  
Phone: (949) 261-1920 | Fax: (949) 261-7451  
Website: www.pasternack.com | E-Mail: sales@pasternack.com