



## 75 Ohm BNC Male Connector Crimp/ Solder Attachment for Belden 150A

### RF Connectors Technical Data Sheet

PE45117

#### Configuration

- BNC Male Connector
- 75 Ohms
- Straight Body Geometry
- Belden 150A Interface Type
- Crimp/Solder Attachment

#### Electrical Specifications

Description	Minimum	Typical	Maximum	Units
Frequency Range	DC		4	GHz
VSWR			1.1:1	
Operating Voltage (AC)			300	Vrms

#### Mechanical Specifications

##### Size

Length	0.929 in [23.6 mm]
Width/Dia.	0.571 in [14.50 mm]
Weight	0.027 lbs [12.25 g]

#### Material Specifications

Description	Material	Plating
Contact	Brass	Gold
Insulation	Teflon	
Body	Brass	Nickel 100µ in. minimum
Coupling Nut	Zinc	Nickel

#### Environmental Specifications

##### Temperature

Operating Range	-65 to 165 deg C
-----------------	------------------

#### Compliance Certifications (visit [www.Pasternack.com](http://www.Pasternack.com) for current document)

RoHS Compliant	
REACH Compliant	12/17/2014

Click the following link (or enter part number in "SEARCH" on website) to obtain additional part information including price, inventory and certifications: [75 Ohm BNC Male Connector Crimp/Solder Attachment for Belden 150A PE45117](#)



## 75 Ohm BNC Male Connector Crimp/ Solder Attachment for Belden 150A

### RF Connectors Technical Data Sheet

PE45117

#### Plotted and Other Data

Notes:

75 Ohm BNC Male Connector Crimp/Solder Attachment for Belden 150A from Pasternack Enterprises has same day shipment for domestic and International orders. Our RF, microwave and millimeter wave products maintain a 99% availability and are part of the broadest selection in the industry.

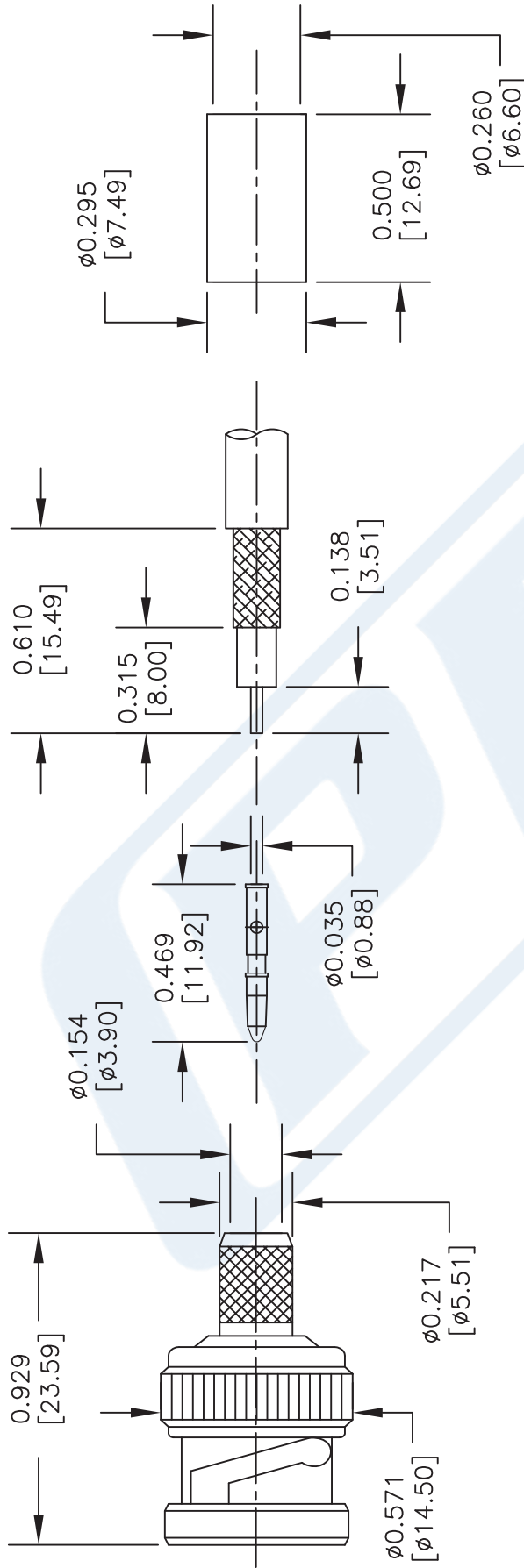
Click the following link (or enter part number in "SEARCH" on website) to obtain additional part information including price, inventory and certifications: [75 Ohm BNC Male Connector Crimp/Solder Attachment for Belden 150A PE45117](http://www.pasternack.com/bnc-male-belden-150a-connector-pe45117-p.aspx)

URL: <http://www.pasternack.com/bnc-male-belden-150a-connector-pe45117-p.aspx>

The information contained in this document is accurate to the best of our knowledge and representative of the part described herein. It may be necessary to make modifications to the part and/or the documentation of the part, in order to implement improvements. Pasternack reserves the right to make such changes as required. Unless otherwise stated, all specifications are nominal. Pasternack does not make any representation or warranty regarding the suitability of the part described herein for any particular purpose, and Pasternack does not assume any liability arising out of the use of any part or documentation.

# PE45117 CAD Drawing

75 Ohm BNC Male Connector Crimp/Solder Attachment for Belden 150A



CENTER CONTACT

STRIPPING DIMENSIONS

CRIMP FERRULE

### ASSEMBLY PROCEDURES

1. STRIP CABLE TO THE DIMENSIONS SHOWN, DO NOT NICK CENTER CONDUCTOR OR BRAID.
2. SLIDE FERRULE ONTO CABLE.
3. PUSH CENTER CONDUCTOR FULLY INTO CONTACT AND SOLDER, REMOVE ANY EXCESS.
4. FLARE BRAID AND INSERT CONTACT INTO THE BODY UNTIL IT SEATS.
5. SLIDE FERRULE OVER BRAID AND CRIMP WITH .256" [6.5] HEX. CRIMP TOOL.



DWG TITLE

**PE45117**

NOTES:  
 1. UNLESS OTHERWISE SPECIFIED ALL DIMENSIONS ARE NOMINAL.  
 2. ALL SPECIFICATIONS ARE SUBJECT TO CHANGE WITHOUT NOTICE AT ANY TIME.  
 3. DIMENSIONS ARE IN INCHES [mm].

**PE PASTERNAK**  
 THE ENGINEER'S RF SOURCE  
 Pasternack Enterprises, Inc.  
 P.O. Box 16759 | Irvine | CA | 92623  
 Phone: (949) 261-1920 | Fax: (949) 261-7451  
 Website: www.pasternack.com | E-Mail: sales@pasternack.com

FSCM NO. 53919

CAD FILE 021215

SCALE N/A

SIZE A

200