



1.85mm Male Connector Clamp/Solder Attachment for PE-P086, PE-P086LL

RF Connectors Technical Data Sheet

PE45005

Configuration

- 1.85mm Male Connector
- 50 Ohms
- Straight Body Geometry
- PE-P086, PE-P086LL Interface Type
- Clamp/Solder Attachment
- 5/16 inch Hex

Features

- Gold over Nickel Plated Beryllium Copper Contact
- 50 µin minimum contact plating

Applications

- General Purpose Test
- Custom Cable Assemblies

Description

Pasternack's PE45005 1.85mm male connector with clamp/solder attachment for PE-P086 and PE-P086LL is part of our full line of RF components available for same-day shipping.

Our 1.85mm male connector PE45005 datasheet specifications and drawing with dimensions are shown below in this PDF. Pasternack's broad catalog of RF, microwave and millimeter wave connectors allows designers to configure and customize their signal connections however they like. Whether the need is to provide an I/O for a board design, or simply create a custom cable assembly configuration, Pasternack has the right connector for the job. Pasternack can also expertly build your custom cable assemblies for you and ship same-day.

Mechanical Specifications

Size

Length	0.915 in [23.24 mm]
Width/Dia.	0.375 in [9.53 mm]
Weight	0.018 lbs [8.16 g]

Material Specifications

Description	Material	Plating
Contact	Beryllium Copper	Gold over Nickel 50 µin minimum
Insulation	PPE	
Body	Passivated Stainless Steel	SAE-AMS-2700
Coupling Nut	Passivated Stainless Steel	SAE-AMS-2700

Click the following link (or enter part number in "SEARCH" on website) to obtain additional part information including price, inventory and certifications: [1.85mm Male Connector Clamp/Solder Attachment for PE-P086, PE-P086LL PE45005](#)



1.85mm Male Connector Clamp/Solder
Attachment for PE-P086, PE-P086LL

RF Connectors Technical Data Sheet

PE45005

Compliance Certifications (see [product page](#) for current document)

Plotted and Other Data

Notes:

1.85mm Male Connector Clamp/Solder Attachment for PE-P086, PE-P086LL from Pasternack Enterprises has same day shipment for domestic and International orders. Our RF, microwave and millimeter wave products maintain a 99% availability and are part of the broadest selection in the industry.

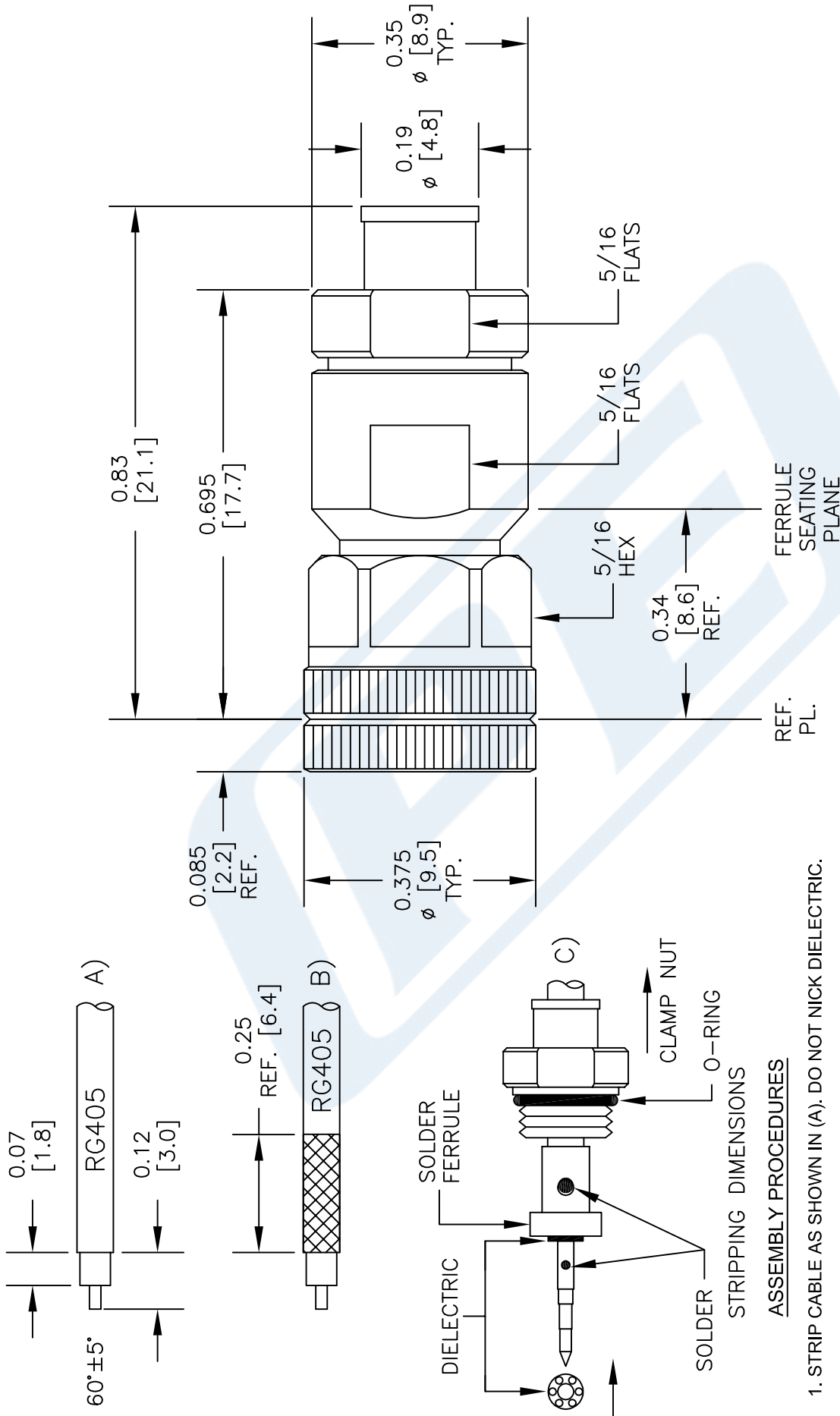
Click the following link (or enter part number in "SEARCH" on website) to obtain additional part information including price, inventory and certifications: [1.85mm Male Connector Clamp/Solder Attachment for PE-P086, PE-P086LL PE45005](#)

URL: <https://www.pasternack.com/1.85mm-male-standard-pe-p086-connector-pe45005-p.aspx>

The information contained in this document is accurate to the best of our knowledge and representative of the part described herein. It may be necessary to make modifications to the part and/or the documentation of the part, in order to implement improvements. Pasternack reserves the right to make such changes as required. Unless otherwise stated, all specifications are nominal. Pasternack does not make any representation or warranty regarding the suitability of the part described herein for any particular purpose, and Pasternack does not assume any liability arising out of the use of any part or documentation.

PE45005 CAD Drawing

1.85mm Male Connector Clamp/Solder Attachment for PE-P086, PE-P086LL



REF. PL.

FERRULE SEATING PLANE

1. STRIP CABLE AS SHOWN IN (A). DO NOT NICK DIELECTRIC.

2. PRE-TIN CABLE JACKET TO APPROXIMATE DIMENSION AS SHOWN IN (B).

3. INSERT CABLE THRU ADAPTER UNTIL IT BOTTOMS OUT. SOLDER OUTER CONDUCTOR TO ADAPTER & TRIM DIELECTRIC FLUSHED TO THE INSERT.

4. SCREW ASSEMBLY INTO BODY & TIGHTEN NUT.

STRIPPING DIMENSIONS

ASSEMBLY PROCEDURES

DWG TITLE

PE45005

FSCM NO. 53919

CAD FILE 030414

SCALE N/A

SIZE A

150

NOTES:
 1. UNLESS OTHERWISE SPECIFIED ALL DIMENSIONS ARE NOMINAL.
 2. ALL SPECIFICATIONS ARE SUBJECT TO CHANGE WITHOUT NOTICE AT ANY TIME.
 3. DIMENSIONS ARE IN INCHES [mm].
 4. FITS MIL-C-17 AND EQUIVALENT CABLES.

PE PASTERNAK®
 THE ENGINEER'S RF SOURCE
 Pasternack Enterprises, Inc.
 P.O. Box 16759 | Irvine | CA | 92623

Phone: (949) 261-1920 | Fax: (949) 261-7451
 Website: www.pasternack.com | E-Mail: sales@pasternack.com