



UHF Male Connector Solder Attachment For RG59, RG62, RG71

TECHNICAL DATA SHEET

PE44828

Configuration

| | |
|--|------------------|
| Connector | UHF Male |
| Connector Interface Type | RG59, RG62, RG71 |
| Cable Attachment Method (Shield/Contact) | Solder |
| Body Style | Straight |

Electrical Specifications

| | |
|----------------------------------|-----------|
| Frequency Range, MHz | DC to 300 |
| Impedance, Ohms | 50 |
| Maximum VSWR | 1.3:1 |
| Maximum Operating Voltage, Volts | 500 |

Mechanical Specifications

Temperature

| | |
|------------------------|------------|
| Operating Range, deg C | -55 to +85 |
|------------------------|------------|

Size

| | |
|---------------------|--------------|
| Length, in [mm] | 1.41 [35.81] |
| Width/Dia., in [mm] | 0.7 [17.78] |
| Weight, lbs [g] | 0.041 [18.6] |

Connector

| | |
|------------------------------------|------------------|
| Type | UHF Male |
| Contact Material and Plating | Brass, Gold |
| Contact Plating Specification | 30µ in. minimum |
| Coupling Nut Material and Plating | Brass, Nickel |
| Coupling Nut Plating Specification | 100µ in. minimum |
| Body Material and Plating | Brass, Nickel |
| Body Plating Specification | 100µ in. minimum |
| Dielectric Type | Teflon |

Compliance Certifications (visit www.Pasternack.com for current document)

| | |
|----------------|-----|
| RoHS Compliant | Yes |
|----------------|-----|

Click the following link (or enter part number in "SEARCH" on website) to obtain additional part information including price, inventory and certifications: [UHF Male Connector Solder Attachment For RG59, RG62, RG71 PE44828](#)

The information contained in this document is accurate to the best of our knowledge and representative of the part described herein. It may be necessary to make modifications to the part and/or the documentation of the part, in order to implement improvements. Pasternack reserves the right to make such changes as required. Unless otherwise stated, all specifications are nominal.





UHF Male Connector Solder Attachment For RG59, RG62, RG71

TECHNICAL DATA SHEET

PE44828

Plotted and Other Data

Notes:

Values at 25 °C, sea level

UHF Male Connector Solder Attachment For RG59, RG62, RG71 from Pasternack Enterprises has same day shipment for domestic and International orders. Our RF, microwave and fiber optic products maintain a 99% availability and are part of the broadest selection in the industry.

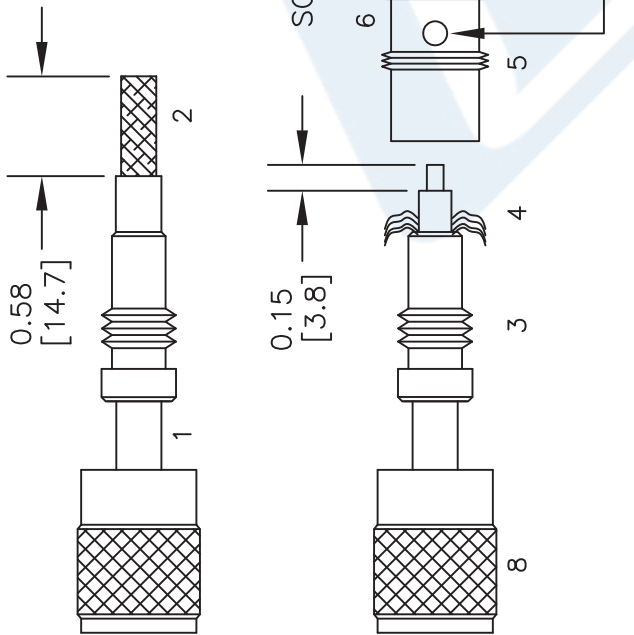
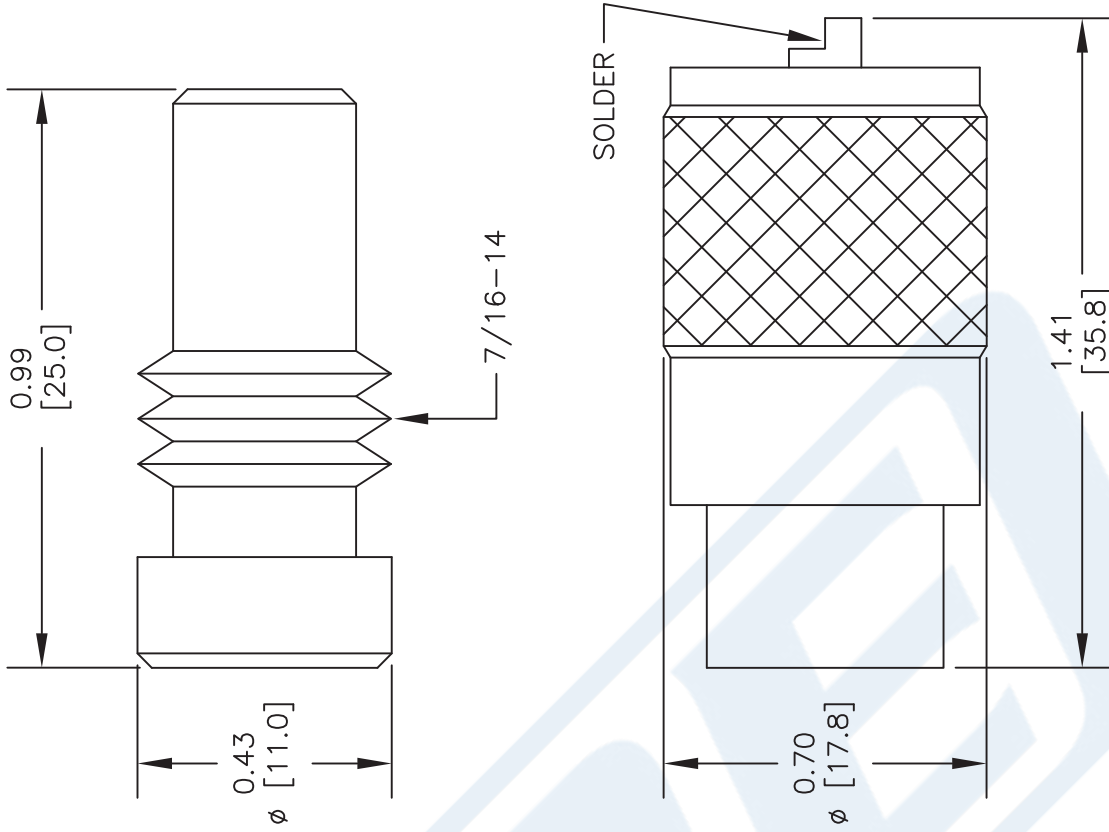
Click the following link (or enter part number in "SEARCH" on website) to obtain additional part information including price, inventory and certifications: [UHF Male Connector Solder Attachment For RG59, RG62, RG71 PE44828](#)

URL: <http://www.pasternack.com/uhf-male-standard-rg59-rg62-rg71-connector-pe44828-p.aspx>

The information contained in this document is accurate to the best of our knowledge and representative of the part described herein. It may be necessary to make modifications to the part and/or the documentation of the part, in order to implement improvements. Pasternack reserves the right to make such changes as required. Unless otherwise stated, all specifications are nominal.

PE44828 CAD Drawing

UHF Male Connector Solder Attachment For RG59, RG62, RG71



ASSEMBLY PROCEDURES

1. SLIDE : COUPLING NUT & CLAMP OVER THE JACKET OF COAX CABLE.
2. STRIP TO GIVEN DIMENSIONS.
3. SLIDE CLAMP TOWARD THE BEGINNING OF THE STRIPPED AREA.
4. FLARE / COMB BRAID BACK ONTO THE CLAMP AND STRIP CENTER CONDUCTOR.
5. THREAD CONNECTOR BODY ONTO CLAMP.
6. SOLDER CONNECTOR BODY ON TO THE BRAIDED & CLAMP THROUGH SOLDER HOLE.
7. SOLDER CENTER CONTACT ONTO THE CENTER CONDUCTOR.
8. SLIDE COUPLING NUT FORWARD & THREAD ONTO THE CONNECTOR BODY.

DWG TITLE

PE44828

- NOTES:
1. UNLESS OTHERWISE SPECIFIED ALL DIMENSIONS ARE NOMINAL.
 2. ALL SPECIFICATIONS ARE SUBJECT TO CHANGE WITHOUT NOTICE AT ANY TIME.
 3. DIMENSIONS ARE IN INCHES [mm].
 4. FITS MIL-C-17 AND EQUIVALENT CABLES.

FSCM NO. 53919

CAD FILE 052113

SCALE N/A

SIZE A

2233

PE PASTERNAK®

Pasternack Enterprises, Inc.
 P.O. Box 16759 | Irvine | CA | 92623
Phone: (949) 261-1920 | **Fax:** (949) 261-7451
Website: www.pasternack.com | **E-Mail:** sales@pasternack.com