



HN Female Bulkhead Mount Hermetically Sealed Connector Solder Attachment Turret Terminal, .765 inch DD Hole

RF Connectors Technical Data Sheet

PE4481

Configuration

- HN Female Connector
- MIL-STD-348
- 50 Ohms
- Straight Body Geometry
- Turret Interface Type
- Solder Attachment
- Bulkhead

Features

- Max. Operating Frequency 4 GHz
- Silver Plated Contact
- Contact plating according to QQ-S-365
- Hermetically Sealed

Applications

- General Purpose Test
- Rack and Panel Mount Applications

Description

Pasternack's PE4481 HN female bulkhead hermetically sealed connector with solder attachment turret terminal (.765 inch DD hole) is part of our full line of RF components available for same-day shipping. Our HN female connector operates up to a maximum frequency of 4 GHz. This HN bulkhead connector allows designers to create external connections on their product enclosures, and can be used in a variety of other rack mount and panel mount applications.

Our HN female bulkhead connector PE4481 datasheet specifications and drawing with dimensions are shown below in this PDF. Pasternack's broad catalog of RF, microwave and millimeter wave connectors allows designers to configure and customize their signal connections however they like. Whether the need is to provide an I/O for a board design, or simply create a custom cable assembly configuration, Pasternack has the right connector for the job. Pasternack can also expertly build your custom cable assemblies for you and ship same-day.

Electrical Specifications

Description	Minimum	Typical	Maximum	Units
Frequency Range	DC		4	GHz
Operating Voltage (AC)			1,500	Vrms
Insulation Resistance	5,000			MOhms

Mechanical Specifications

Size	
Length	1.42 in [36.07 mm]
Width/Dia.	1 in [25.40 mm]
Weight	0.112 lbs [50.8 g]

Click the following link (or enter part number in "SEARCH" on website) to obtain additional part information including price, inventory and certifications: [HN Female Bulkhead Mount Hermetically Sealed Connector Solder Attachment Turret Terminal, .765 inch DD Hole PE4481](#)



HN Female Bulkhead Mount Hermetically Sealed Connector
Solder Attachment Turret Terminal, .765 inch DD Hole

RF Connectors
Technical Data Sheet

PE4481

Material Specifications

Description	Material	Plating
Contact		Silver QQ-S-365
Insulation	PTFE	
Body	Brass	Nickel QQ-N-290

Environmental Specifications

Temperature

Operating Range -65 to +165 deg C

Compliance Certifications (see [product page](#) for current document)

Plotted and Other Data

Notes:

HN Female Bulkhead Mount Hermetically Sealed Connector Solder Attachment Turret Terminal, .765 inch DD Hole from Pasternack Enterprises has same day shipment for domestic and International orders. Our RF, microwave and millimeter wave products maintain a 99.4% availability and are part of the broadest selection in the industry.

Click the following link (or enter part number in "SEARCH" on website) to obtain additional part information including price, inventory and certifications: [HN Female Bulkhead Mount Hermetically Sealed Connector Solder Attachment Turret Terminal, .765 inch DD Hole PE4481](#)

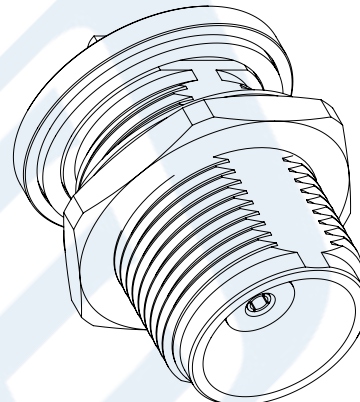
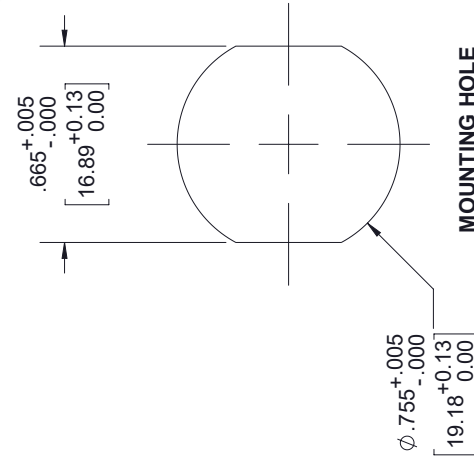
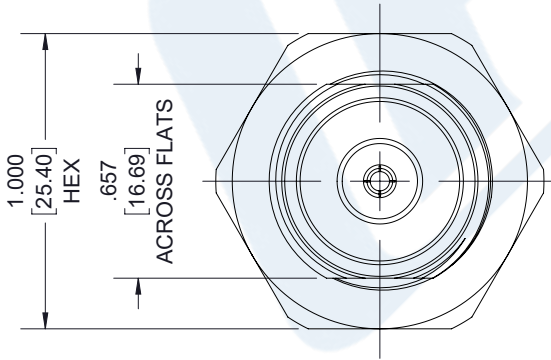
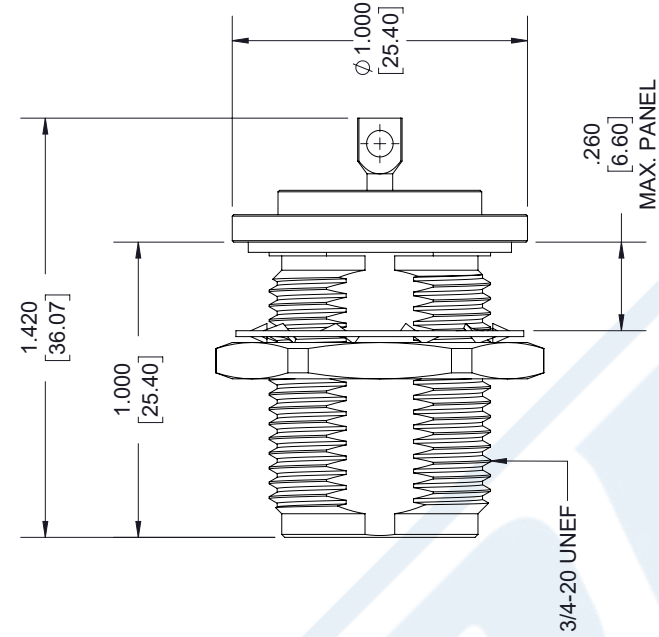
URL: <https://www.pasternack.com/hn-female-standard-turret-terminal-connector-pe4481-p.aspx>

The information contained in this document is accurate to the best of our knowledge and representative of the part described herein. It may be necessary to make modifications to the part and/or the documentation of the part, in order to implement improvements. Pasternack reserves the right to make such changes as required. Unless otherwise stated, all specifications are nominal. Pasternack does not make any representation or warranty regarding the suitability of the part described herein for any particular purpose, and Pasternack does not assume any liability arising out of the use of any part or documentation.

PE4481 CAD Drawing

HN Female Bulkhead Mount Hermetically Sealed Connector Solder Attachment Turret Terminal, .765 inch DD Hole

REVISIONS			
REV.	DESCRIPTION	DATE	APPROVED
A	INITIAL RELEASE	02/01/19	J.GARCIA



UNLESS OTHERWISE SPECIFIED LEADING DIMENSIONS ARE INCHES DIMENSIONS IN [] ARE MILLIMETERS	
TOLERANCES:	FRACTIONS
X±.2 [5.08]	±.132
.XX±.01 [0.25]	±.005
.XXX±.005 [0.13]	ANGLES ± 1°
ALL DIMENSIONS SHOWN ARE FOR REFERENCE ONLY.	
THIRD-ANGLE PROJECTION	

 PASTERNAK an INFINITO brand Pasternack Enterprises, Inc. P.O. Box 16759, Irvine, CA 92623. Phone: 1.949.261.1920 1.866.727.8376 Fax: 1.949.261.7451 www.pasternack.com e-mail: sales@pasternack.com		SHEET 1 OF 1 SCALE N/A
THE INFORMATION AND DESIGN IN THIS DOCUMENT IS THE PROPERTY OF PASTERNAK CORPORATION. ALL RIGHTS RESERVED.	SIZE [CAGE] DRAWN BY PART NUMBER REV A 53919 KDANG PE4481 A	

THESE COMMODITIES, TECHNOLOGY OR SOFTWARE WERE EXPORTED FROM THE UNITED STATES IN ACCORDANCE WITH THE EXPORT ADMINISTRATION REGULATIONS. DIVERSION CONTRARY TO U.S. LAW PROHIBITED.