



## HN Female Field Replaceable Connector 4 Hole Flange Mount Slotted Contact Terminal, Watt Meter Connector

### RF Connectors Technical Data Sheet

PE44718

#### Configuration

- HN Female Connector
- MIL-STD-348
- 50 Ohms
- Straight Body Geometry
- Slotted Contact Interface Type
- Field Replaceable Attachment
- 4 Hole Flange

#### Features

- Silver Plated Contact
- Contact plating according to QQ-S-365

#### Applications

- General Purpose Test
- Rack and Panel Mount Applications
- Watt Meter

#### Description

Pasternack's PE44718 HN female 4 hole flange mount connector with field replaceable attachment slotted contact terminal is part of our full line of RF components available for same-day shipping. This HN 4 hole flange connector allows designers to create external connections on their product enclosures, and can be used in a variety of other rack mount and panel mount applications. This field replaceable connector is easy to install or replace in the field. The HN type quick change (QC) connector is designed for wattmeter applications.

Our HN female 4 hole flange connector PE44718 datasheet specifications and drawing with dimensions are shown below in this PDF. Pasternack's broad catalog of RF, microwave and millimeter wave connectors allows designers to configure and customize their signal connections however they like. Whether the need is to provide an I/O for a board design, or simply create a custom cable assembly configuration, Pasternack has the right connector for the job. Pasternack can also expertly build your custom cable assemblies for you and ship same-day.

#### Mechanical Specifications

Size	
Length	1.145 in [29.08 mm]
Width/Dia.	1.24 in [31.50 mm]
Height	1.24 in [31.5 mm]
Weight	0.067 lbs [30.39 g]

Click the following link (or enter part number in "SEARCH" on website) to obtain additional part information including price, inventory and certifications: [HN Female Field Replaceable Connector 4 Hole Flange Mount Slotted Contact Terminal, Watt Meter Connector PE44718](#)



# HN Female Field Replaceable Connector 4 Hole Flange Mount Slotted Contact Terminal, Watt Meter Connector

## RF Connectors Technical Data Sheet

PE44718

### Material Specifications

Description	Material	Plating
Contact		Silver QQ-S-365
Insulation	PTFE	
Body	Brass	Nickel QQ-N-290

**Compliance Certifications** (see [product page](#) for current document)

### Plotted and Other Data

Notes:

HN Female Field Replaceable Connector 4 Hole Flange Mount Slotted Contact Terminal, Watt Meter Connector from Pasternack Enterprises has same day shipment for domestic and International orders. Our RF, microwave and millimeter wave products maintain a 99% availability and are part of the broadest selection in the industry.

Click the following link (or enter part number in "SEARCH" on website) to obtain additional part information including price, inventory and certifications: [HN Female Field Replaceable Connector 4 Hole Flange Mount Slotted Contact Terminal, Watt Meter Connector PE44718](#)

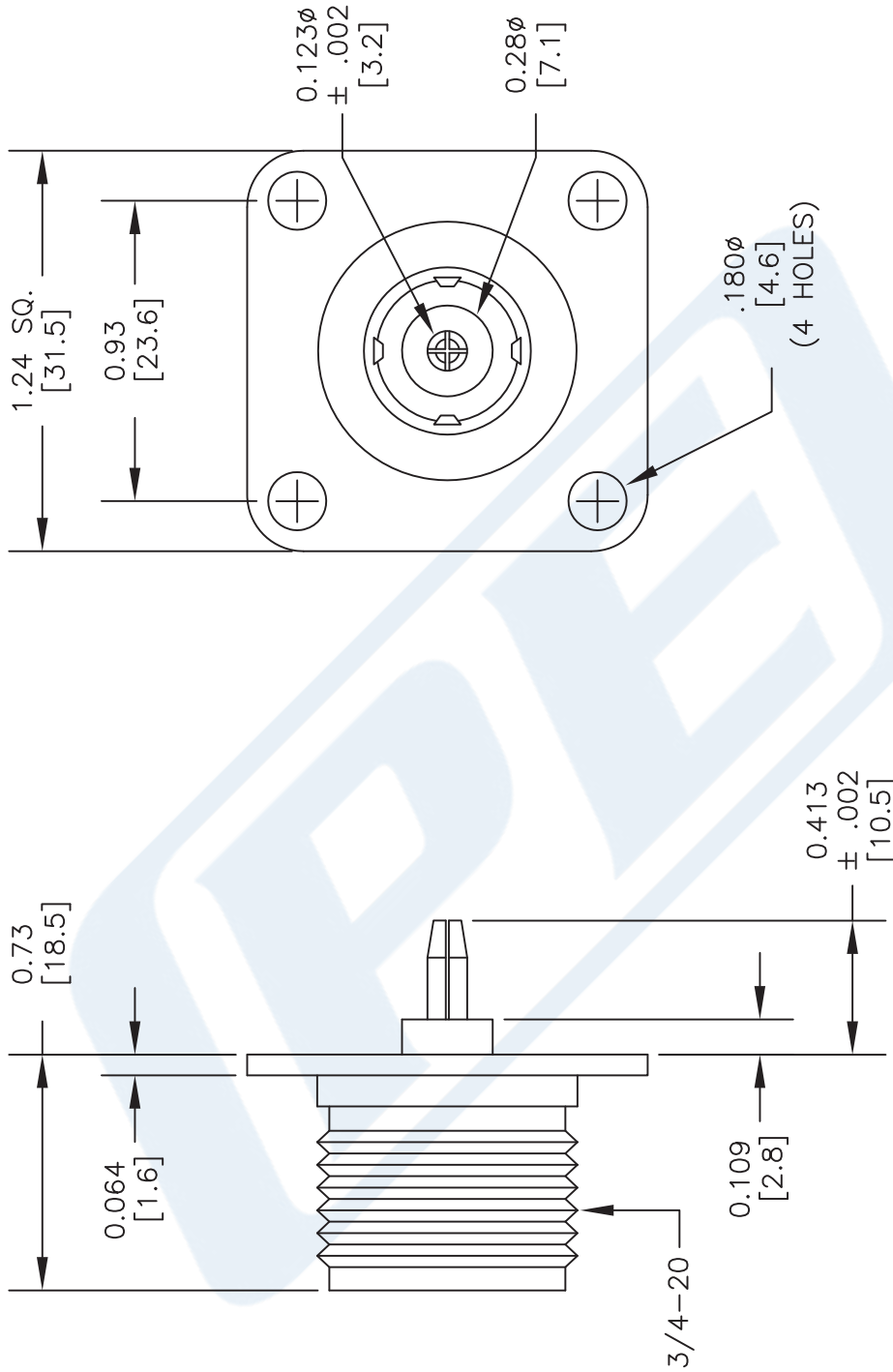
URL: <https://www.pasternack.com/hn-female-standard-slotted-contact-terminal-connector-pe44718-p.aspx>

The information contained in this document is accurate to the best of our knowledge and representative of the part described herein. It may be necessary to make modifications to the part and/or the documentation of the part, in order to implement improvements. Pasternack reserves the right to make such changes as required. Unless otherwise stated, all specifications are nominal. Pasternack does not make any representation or warranty regarding the suitability of the part described herein for any particular purpose, and Pasternack does not assume any liability arising out of the use of any part or documentation.



# PE44718 CAD Drawing

HN Female Field Replaceable Connector 4 Hole Flange Mount  
Slotted Contact Terminal, Watt Meter Connector



**NOTES:**

1. UNLESS OTHERWISE SPECIFIED ALL DIMENSIONS ARE NOMINAL.
2. ALL SPECIFICATIONS ARE SUBJECT TO CHANGE WITHOUT NOTICE AT ANY TIME.
3. DIMENSIONS ARE IN INCHES [mm].
4. FITS MIL-C-17 AND EQUIVALENT CABLES.

DWG TITLE

**PE44718**

**PASTERNAK ENTERPRISES, INC.**

P.O. BOX 16759, IRVINE, CA 92623  
PHONE (949) 261-1920 FAX (949) 261-7451

WEB ADDRESS: [www.pasternack.com](http://www.pasternack.com)  
E-MAIL ADDRESS: [sales@pasternack.com](mailto:sales@pasternack.com)

**COAXIAL & FIBER OPTICS**



**PASTERNAK ENTERPRISES®**  
ESTABLISHED 1972

REV. A

FSCM NO. 53919

CAD FILE 071312

SCALE N/A

SIZE A

2233