



## QN Female Bulkhead Mount Connector Solder Attachment for PE-SR402AL, PE-SR402FL, PE-SR402FLJ, PE- SR402TN, RG402, .500 inch Diameter, IP68

### RF Connectors Technical Data Sheet

PE44609

#### Configuration

- QN Female Connector
- 50 Ohms
- Straight Body Geometry
- PE-SR402AL, PE-SR402FL, PE-SR402FLJ, PE-SR402TN, RG402 Interface Type
- Solder/Solder Attachment
- Bulkhead
- Low PIM Design

#### Features

- Max. Operating Frequency 11 GHz
- PIM levels lower than -160 dBc
- Gold over Nickel Plated Spring Bronze Contact
- 0.15  $\mu\text{m}$  minimum contact plating
- IP68 0.3 bar (interface only)

#### Applications

- General Purpose Test
- Rack and Panel Mount Applications
- Wireless Communications
- Custom Cable Assemblies
- Low PIM Applications

#### Description

Pasternack's PE44609 QN female bulkhead low PIM connector with solder/solder attachment for PE-SR402AL, PE-SR402FL, PE-SR402FLJ, PE-SR402TN and RG402 (.500 inch diameter) is part of our full line of RF components available for same-day shipping. Our QN female connector operates up to a maximum frequency of 11 GHz. The QN female connector also has low passive intermodulation of -160 dBc. This QN bulkhead connector allows designers to create external connections on their product enclosures, and can be used in a variety of other rack mount and panel mount applications. The connector has an IP68 rating to protect against dust and prolonged moisture protection under immersion conditions.

Our QN female bulkhead connector PE44609 datasheet specifications and drawing with dimensions are shown below in this PDF. Pasternack's broad catalog of RF, microwave and millimeter wave connectors allows designers to configure and customize their signal connections however they like. Whether the need is to provide an I/O for a board design, or simply create a custom cable assembly configuration, Pasternack has the right connector for the job. Pasternack can also expertly build your custom cable assemblies for you and ship same-day.

#### Electrical Specifications

Description	Minimum	Typical	Maximum	Units
Frequency Range	DC		11	GHz
Passive Intermodulation using 2x20W tones			-160	dBc
Operating Voltage (AC)			1,000	Vrms
Test Voltage (AC)			2,500	Vrms
Inner Conductor DC Resistance			1.5	mOhms
Outer Conductor DC Resistance			1.5	mOhms
Insulation Resistance	5,000			MOhms

Click the following link (or enter part number in "SEARCH" on website) to obtain additional part information including price, inventory and certifications: [QN Female Bulkhead Mount Connector Solder Attachment for PE-SR402AL, PE-SR402FL, PE-SR402FLJ, PE-SR402TN, RG402, .500 inch Diameter, IP68 PE44609](#)



QN Female Bulkhead Mount Connector Solder Attachment  
 for PE-SR402AL, PE-SR402FL, PE-SR402FLJ, PE-  
 SR402TN, RG402, .500 inch Diameter, IP68

## RF Connectors Technical Data Sheet

PE44609

### Performance by Frequency

Description	F1	F2	F3	F4	F5	Units
Frequency Range	DC to 2.5	2.5 to 4	4 to 6			GHz
VSWR, Max	1.07:1	1.1:1	1.23:1			

Electrical Specification Notes:  
 RF leakage: 90 dB (up to 3 GHz) min.  
 Insertion loss = 0.05 x sqrt(fGHz) dB max.

### Mechanical Specifications

<b>Size</b>	
Length	1.315 in [33.4 mm]
Width/Dia.	0.67 in [17.02 mm]
Weight	0.096 lbs [43.54 g]
Mating Cycles	100 Cycles

### Material Specifications

Description	Material	Plating
Contact	Spring Bronze	Gold over Nickel 0.15 µm minimum
Insulation	PTFE	
Body	Brass	Tri-Metal

### Environmental Specifications

<b>Temperature</b>	
Operating Range	-40 to +125 deg C
Ingress Protection (IP) Rating	IP68 0.3 bar (interface only)
Humidity	MIL-STD-202, Method 106
Shock	MIL-STD-202, Method 213, Condition I
Vibration	MIL-STD-202, Method 204, Condition A
Thermal Shock	MIL-STD-202, Method 107, Condition B
Salt Spray	MIL-STD-202, Method 101, Condition B

Click the following link (or enter part number in "SEARCH" on website) to obtain additional part information including price, inventory and certifications: [QN Female Bulkhead Mount Connector Solder Attachment for PE-SR402AL, PE-SR402FL, PE-SR402FLJ, PE-SR402TN, RG402, .500 inch Diameter, IP68 PE44609](#)



QN Female Bulkhead Mount Connector Solder Attachment  
for PE-SR402AL, PE-SR402FL, PE-SR402FLJ, PE-  
SR402TN, RG402, .500 inch Diameter, IP68

RF Connectors Technical Data Sheet

PE44609

**Compliance Certifications** (see [product page](#) for current document)

**Plotted and Other Data**

Notes:

QN Female Bulkhead Mount Connector Solder Attachment for PE-SR402AL, PE-SR402FL, PE-SR402FLJ, PE-SR402TN, RG402, .500 inch Diameter, IP68 from Pasternack Enterprises has same day shipment for domestic and International orders. Our RF, microwave and millimeter wave products maintain a 99% availability and are part of the broadest selection in the industry.

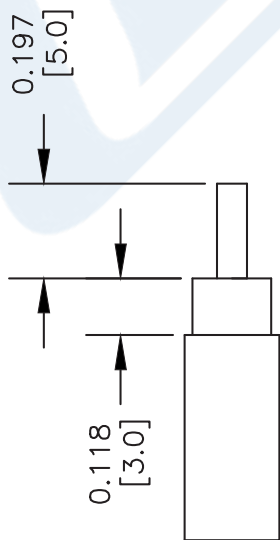
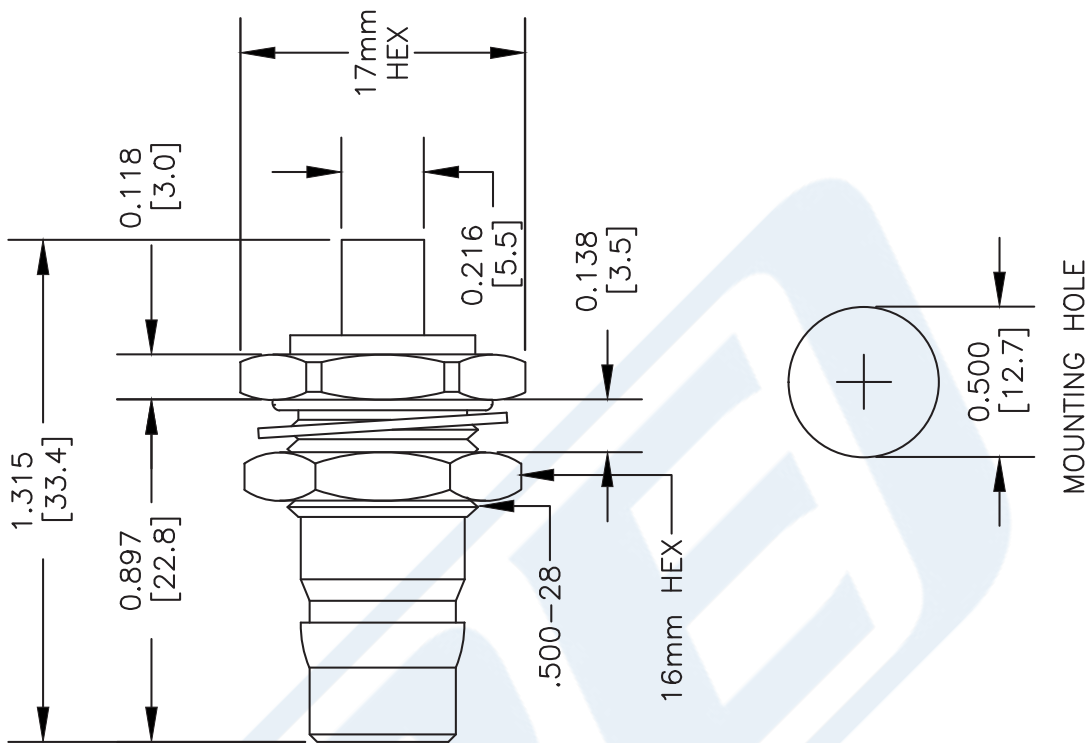
Click the following link (or enter part number in "SEARCH" on website) to obtain additional part information including price, inventory and certifications: [QN Female Bulkhead Mount Connector Solder Attachment for PE-SR402AL, PE-SR402FL, PE-SR402FLJ, PE-SR402TN, RG402, .500 inch Diameter, IP68 PE44609](#)

URL: <https://www.pasternack.com/qn-female-standard-pe-sr402al-pe-sr402fl-rg402-connector-pe44609-p.aspx>

The information contained in this document is accurate to the best of our knowledge and representative of the part described herein. It may be necessary to make modifications to the part and/or the documentation of the part, in order to implement improvements. Pasternack reserves the right to make such changes as required. Unless otherwise stated, all specifications are nominal. Pasternack does not make any representation or warranty regarding the suitability of the part described herein for any particular purpose, and Pasternack does not assume any liability arising out of the use of any part or documentation.

# PE44609 CAD Drawing

QN Female Bulkhead Mount Connector Solder Attachment for PE-SR402AL, PE-SR402FL, PE-SR402FLJ, PE-SR402TN, RG402, .500 inch Diameter, IP68



### STRIPPING DIMENSIONS

### ASSEMBLY PROCEDURES

1. STRIP CABLE AS SHOWN & TIN CENTER CONDUCTOR. DO NOT NICK CENTER CONDUCTOR.
2. SOLDER CONTACT TO CENTER CONDUCTOR.
3. INSERT CABLE INTO BODY UNTIL IT BOTTOMS OUT. SOLDER OUTER CONDUCTOR TO BODY.

DWG TITLE

**PE44609**

NOTES:

1. UNLESS OTHERWISE SPECIFIED ALL DIMENSIONS ARE NOMINAL.
2. ALL SPECIFICATIONS ARE SUBJECT TO CHANGE WITHOUT NOTICE AT ANY TIME.
3. DIMENSIONS ARE IN INCHES [mm].
4. FITS MIL-C-17 AND EQUIVALENT CABLES.

FSCM NO. 53919

CAD FILE 061708

SCALE N/A

SIZE A

XXXX



**PASTERNAK®**  
Pasternack Enterprises, Inc.  
P.O. Box 16759 | Irvine | CA | 92623

Phone: (949) 261-1920 | Fax: (949) 261-7451

Website: [www.pasternack.com](http://www.pasternack.com) | E-Mail: [sales@pasternack.com](mailto:sales@pasternack.com)