



# QN Female Bulkhead Mount Connector Crimp/ Solder Attachment for RG55, RG141, RG142, RG223, RG400, .500 inch Diameter, IP68

## RF Connectors Technical Data Sheet

PE44605

### Configuration

- QN Female Connector
  - 50 Ohms
  - Straight Body Geometry
  - RG55, RG141, RG142, RG223, RG400 Interface
- Type
- Crimp/Solder Attachment
  - Bulkhead

### Features

- Max. Operating Frequency 11 GHz
- Gold over Nickel Plated Spring Bronze Contact
- 0.15  $\mu\text{m}$  minimum contact plating
- IP68 0.3 bar (interface only)

### Applications

- General Purpose Test
- Rack and Panel Mount Applications
- Custom Cable Assemblies

### Description

Pasternack's PE44605 QN female bulkhead connector with crimp/solder attachment for RG55, RG141, RG142, RG223 and RG400 (.500 inch diameter) is part of our full line of RF components available for same-day shipping. Our QN female connector operates up to a maximum frequency of 11 GHz. This QN bulkhead connector allows designers to create external connections on their product enclosures, and can be used in a variety of other rack mount and panel mount applications. The connector has an IP68 rating to protect against dust and prolonged moisture protection under immersion conditions.

Our QN female bulkhead connector PE44605 datasheet specifications and drawing with dimensions are shown below in this PDF. Pasternack's broad catalog of RF, microwave and millimeter wave connectors allows designers to configure and customize their signal connections however they like. Whether the need is to provide an I/O for a board design, or simply create a custom cable assembly configuration, Pasternack has the right connector for the job. Pasternack can also expertly build your custom cable assemblies for you and ship same-day.

### Electrical Specifications

Description	Minimum	Typical	Maximum	Units
Frequency Range	DC		11	GHz
Operating Voltage (AC)			1,000	Vrms
Test Voltage (AC)			2,500	Vrms
Inner Conductor DC Resistance			1.5	mOhms
Outer Conductor DC Resistance			1.5	mOhms
Insulation Resistance	5,000			MOhms

### Performance by Frequency

Description	F1	F2	F3	F4	F5	Units
Frequency Range	DC to 2.5	2.5 to 6				GHz
VSWR, Max	1.12:1	1.23:1				

Click the following link (or enter part number in "SEARCH" on website) to obtain additional part information including price, inventory and certifications: [QN Female Bulkhead Mount Connector Crimp/Solder Attachment for RG55, RG141, RG142, RG223, RG400, .500 inch Diameter, IP68 PE44605](#)



QN Female Bulkhead Mount Connector Crimp/  
Solder Attachment for RG55, RG141, RG142,  
RG223, RG400, .500 inch Diameter, IP68

RF Connectors Technical Data Sheet

PE44605

Electrical Specification Notes:  
RF leakage: 90 dB (up to 3 GHz) min.  
Insertion loss = 0.05 x sqrt(fGHz) dB max.

**Mechanical Specifications**

<b>Size</b>	
Length	1.665 in [42.29 mm]
Width/Dia.	0.67 in [17.02 mm]
Weight	0.096 lbs [43.54 g]
Mating Cycles	100 Cycles

**Material Specifications**

Description	Material	Plating
Contact	Spring Bronze	Gold over Nickel 0.15 µm minimum
Insulation	PTFE	
Body	Brass	Tri-Metal

**Environmental Specifications**

<b>Temperature</b>	
Operating Range	-40 to +125 deg C
Ingress Protection (IP) Rating	IP68 0.3 bar (interface only)
Humidity	MIL-STD-202, Method 106
Shock	MIL-STD-202, Method 213, Condition I
Vibration	MIL-STD-202, Method 204, Condition A
Thermal Shock	MIL-STD-202, Method 107, Condition B
Salt Spray	MIL-STD-202, Method 101, Condition B

Click the following link (or enter part number in "SEARCH" on website) to obtain additional part information including price, inventory and certifications: [QN Female Bulkhead Mount Connector Crimp/Solder Attachment for RG55, RG141, RG142, RG223, RG400, .500 inch Diameter, IP68 PE44605](#)





QN Female Bulkhead Mount Connector Crimp/  
Solder Attachment for RG55, RG141, RG142,  
RG223, RG400, .500 inch Diameter, IP68

RF Connectors Technical Data Sheet

PE44605

**Compliance Certifications** (see [product page](#) for current document)

**Plotted and Other Data**

Notes:

QN Female Bulkhead Mount Connector Crimp/Solder Attachment for RG55, RG141, RG142, RG223, RG400, .500 inch Diameter, IP68 from Pasternack Enterprises has same day shipment for domestic and International orders. Our RF, microwave and millimeter wave products maintain a 99% availability and are part of the broadest selection in the industry.

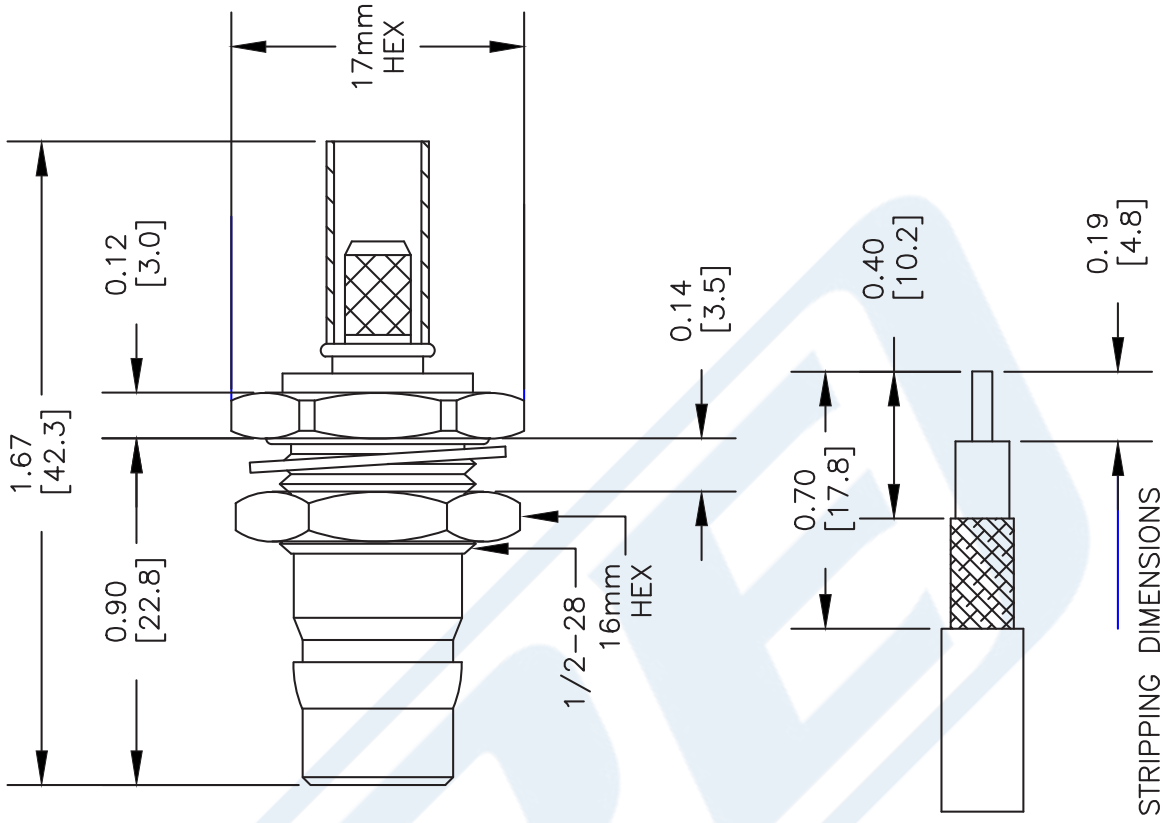
Click the following link (or enter part number in "SEARCH" on website) to obtain additional part information including price, inventory and certifications: [QN Female Bulkhead Mount Connector Crimp/Solder Attachment for RG55, RG141, RG142, RG223, RG400, .500 inch Diameter, IP68 PE44605](#)

URL: <https://www.pasternack.com/qn-female-standard-rg55-rg142-rg223-rg400-connector-pe44605-p.aspx>

The information contained in this document is accurate to the best of our knowledge and representative of the part described herein. It may be necessary to make modifications to the part and/or the documentation of the part, in order to implement improvements. Pasternack reserves the right to make such changes as required. Unless otherwise stated, all specifications are nominal. Pasternack does not make any representation or warranty regarding the suitability of the part described herein for any particular purpose, and Pasternack does not assume any liability arising out of the use of any part or documentation.

# PE44605 CAD Drawing

QN Female Bulkhead Mount Connector Crimp/Solder Attachment for  
RG55, RG141, RG142, RG223, RG400, .500 inch Diameter, IP68



MOUNTING HOLE

CRIMP SIZE REQUIRED

CONTACT: SOLDER  
FERRULE: .213" HEX CRIMP TOOL



Phone: (949) 261-1920 | Fax: (949) 261-7451  
Website: www.pasternack.com | E-Mail: sales@pasternack.com

DWG TITLE

**PE44605**

FSCM NO. 53919

NOTES:  
1. UNLESS OTHERWISE SPECIFIED ALL DIMENSIONS ARE NOMINAL.  
2. ALL SPECIFICATIONS ARE SUBJECT TO CHANGE WITHOUT NOTICE AT ANY TIME.  
3. DIMENSIONS ARE IN INCHES [mm].  
4. FITS MIL-C-17 AND EQUIVALENT CABLES.

CAD FILE 061208

SCALE N/A

SIZE A

XXXX