



QD Male Connector Crimp/Solder Attachment For RG213, RG215

TECHNICAL DATA SHEET

PE44597

QD Male Connector Crimp/Solder Attachment For RG213, RG215

Configuration

Connector	QD Male
Connector Interface Type	RG213, RG215
Cable Attachment Method (Shield/Contact)	Crimp/Solder
Body Style	Straight

Electrical Specifications

Frequency Range, GHz	DC to 11
Impedance, Ohms	50
Maximum Operating Voltage, Volts	1,000
Dielectric Withstanding Voltage, Vrms	2,500

Frequency 1

Frequency, GHz	DC to 2.5
VSWR	1:1
Return Loss, dB	27
Insertion Loss, dB	0.08
Power Handling, Watts	300

Frequency 2

Frequency, GHz	2.5 to 4
Return Loss, dB	25
Insertion Loss, dB	0.1

Frequency 3

Frequency, GHz	4 to 6
Return Loss, dB	20
Insertion Loss, dB	0.12

Mechanical Specifications

Temperature

Operating Range, deg C	-40 to +125
------------------------	-------------

Size

Length, in [mm]	1.73 [43.94]
Width/Dia., in [mm]	0.75 [19.05]
Weight, lbs [g]	0.082 [37.19]

Click the following link (or enter part number in "SEARCH" on website) to obtain additional part information including price, inventory and certifications: [QD Male Connector Crimp/Solder Attachment For RG213, RG215 PE44597](#)

The information contained in this document is accurate to the best of our knowledge and representative of the part described herein. It may be necessary to make modifications to the part and/or the documentation of the part, in order to implement improvements. Pasternack reserves the right to make such changes as required. Unless otherwise stated, all specifications are nominal.



QN Male Connector Crimp/Solder Attachment For RG213, RG215

TECHNICAL DATA SHEET

PE44597

Connector

Type	QN Male
Mating Cycles	100
Contact Material and Plating	Brass, Gold
Body Material and Plating	Brass, Tri-Metal
Dielectric Type	PTFE

Compliance Certifications (visit www.Pasternack.com for current document)

RoHS Compliant	Yes
----------------	-----

Plotted and Other Data

Notes:	Values at 25 °C, sea level
--------	----------------------------

QN Male Connector Crimp/Solder Attachment For RG213, RG215 from Pasternack Enterprises has same day shipment for domestic and International orders. Our RF, microwave and fiber optic products maintain a 99% availability and are part of the broadest selection in the industry.

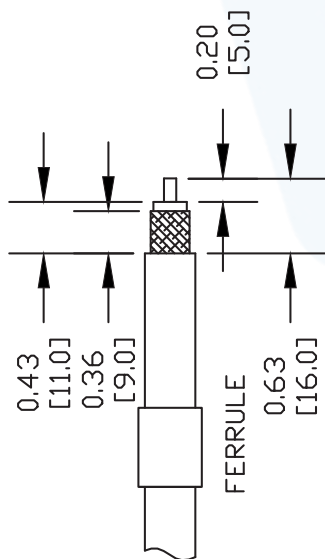
Click the following link (or enter part number in "SEARCH" on website) to obtain additional part information including price, inventory and certifications: [QN Male Connector Crimp/Solder Attachment For RG213, RG215 PE44597](http://www.pasternack.com/qn-male-standard-rg213-rg215-connector-pe44597-p.aspx)

URL: <http://www.pasternack.com/qn-male-standard-rg213-rg215-connector-pe44597-p.aspx>

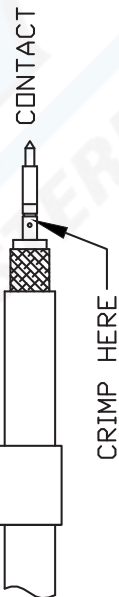
The information contained in this document is accurate to the best of our knowledge and representative of the part described herein. It may be necessary to make modifications to the part and/or the documentation of the part, in order to implement improvements. Pasternack reserves the right to make such changes as required. Unless otherwise stated, all specifications are nominal.

ASSEMBLY PROCEDURES

1. STRIP CABLE AS SHOWN. SLIDE FERRULE OVER CABLE.



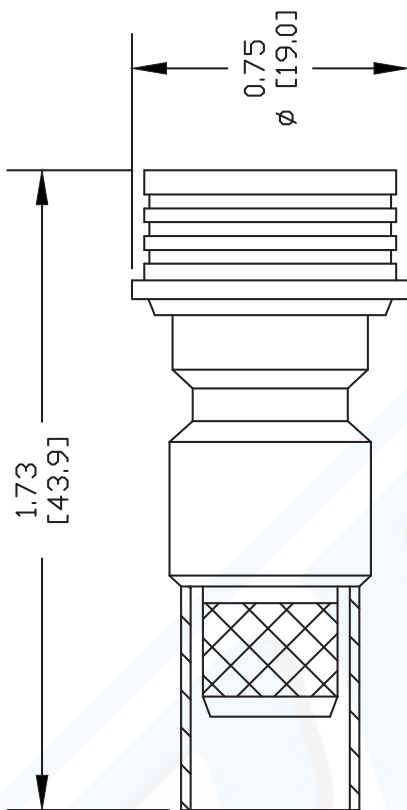
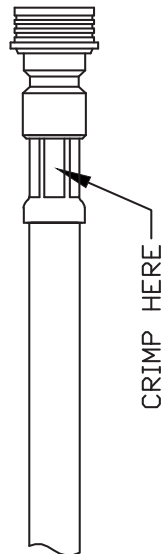
2. INSERT DIELECTRIC INTO CONTACT AND CRIMP IT WITH .100" HEX CRIMP TOOL. SPLAY OUT THE BRAID.



3. INSERT STRIPPED CABLE INTO BODY UNTIL CONTACT ENGAGES PERCEPTIBLY.



4. SLIDE FERRULE OVER BRAID UP TO THE CONNECTOR BODY AND CRIMP AS CLOSE TO THE CONNECTOR BODY AS POSSIBLE USING A .429" HEX CRIMP TOOL.



DWG TITLE

PE44597

NOTES:

1. UNLESS OTHERWISE SPECIFIED ALL DIMENSIONS ARE NOMINAL.
2. ALL SPECIFICATIONS ARE SUBJECT TO CHANGE WITHOUT NOTICE AT ANY TIME.
3. DIMENSIONS ARE IN INCHES [mm].
4. FITS MIL-C-17 AND EQUIVALENT CABLES.

REV. A

FSCM NO. 53919

CAD FILE 090711

SCALE N/A

SIZE A

2231



PASTERNAK®
Pasternack Enterprises, Inc.

P.O. Box 16759 | Irvine | CA | 92623

Phone: (949) 261-1920 | Fax: (949) 261-7451

Website: www.pasternack.com | E-Mail: sales@pasternack.com