



N Male Right Angle Connector Clamp/Solder Attachment
 For 1/2 inch Annular, 1/2 inch Flexible, PE-1/2FAC

TECHNICAL DATA SHEET

PE44564

N Male Right Angle Connector Clamp/Solder Attachment For 1/2 inch Annular, 1/2 inch Flexible, PE-1/2FAC

Configuration

Connector	N Male
Connector Interface Type	1/2 inch Annular, 1/2 inch Flexible, PE-1/2FAC
Cable Attachment Method (Shield/Contact)	Clamp/Solder
Body Style	Right Angle

Electrical Specifications

Impedance, Ohms	50
-----------------	----

Mechanical Specifications

Size

Length, in [mm]	2.876 [73.05]
Width/Dia., in [mm]	0.867 [22.02]
Height, in [mm]	1.734 [44.04]
Weight, lbs [Kg]	6.6 [2.99]

Connector

Type	N Male
Contact Material and Plating	Brass, Silver
Coupling Nut Material and Plating	Brass, Tri-Metal
Hex Size, in	3/4
Body Material and Plating	Brass, Tri-Metal
Dielectric Type	Teflon

Compliance Certifications (visit www.Pasternack.com for current document)

RoHS Compliant	Yes
----------------	-----

Click the following link (or enter part number in "SEARCH" on website) to obtain additional part information including price, inventory and certifications: [N Male Right Angle Connector Clamp/Solder Attachment For 1/2 inch Annular, 1/2 inch Flexible, PE-1/2FAC PE44564](#)

The information contained in this document is accurate to the best of our knowledge and representative of the part described herein. It may be necessary to make modifications to the part and/or the documentation of the part, in order to implement improvements. Pasternack reserves the right to make such changes as required. Unless otherwise stated, all specifications are nominal.





N Male Right Angle Connector Clamp/Solder Attachment
For 1/2 inch Annular, 1/2 inch Flexible, PE-1/2FAC

TECHNICAL DATA SHEET

PE44564

Plotted and Other Data

Notes:

Values at 25 °C, sea level

N Male Right Angle Connector Clamp/Solder Attachment For 1/2 inch Annular, 1/2 inch Flexible, PE-1/2FAC from Pasternack Enterprises has same day shipment for domestic and International orders. Our RF, microwave and fiber optic products maintain a 99% availability and are part of the broadest selection in the industry.

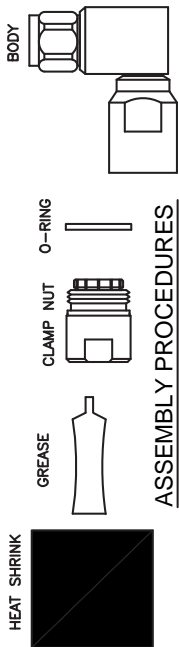
Click the following link (or enter part number in "SEARCH" on website) to obtain additional part information including price, inventory and certifications: [N Male Right Angle Connector Clamp/Solder Attachment For 1/2 inch Annular, 1/2 inch Flexible, PE-1/2FAC PE44564](http://www.pasternack.com/n-male-standard-1-2-inch-annular-connector-pe44564-p.aspx)

URL: <http://www.pasternack.com/n-male-standard-1-2-inch-annular-connector-pe44564-p.aspx>

The information contained in this document is accurate to the best of our knowledge and representative of the part described herein. It may be necessary to make modifications to the part and/or the documentation of the part, in order to implement improvements. Pasternack reserves the right to make such changes as required. Unless otherwise stated, all specifications are nominal.

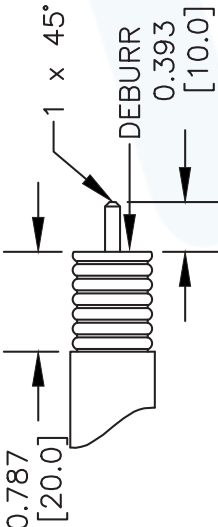
PE44564 CAD Drawing

N Male Right Angle Connector Clamp/Solder Attachment For
1/2 inch Annular, 1/2 inch Flexible, PE-1/2FAC

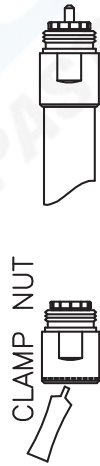


ASSEMBLY PROCEDURES

1. STRIP CABLE AS SHOWN, CHAMFER CENTER CONDUCTOR & DEBURR CABLE. SLIDE HEAT SHRINK OVER CABLE.



2. GREASE O-RING INSIDE OF CLAMP NUT. INSTALL CLAMP NUT ONTO CABLE.



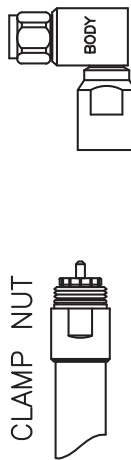
3. FLARE THE OUTER CONDUCTOR, SEPARATING THE OUTER CONDUCTOR FROM THE INSULATOR.



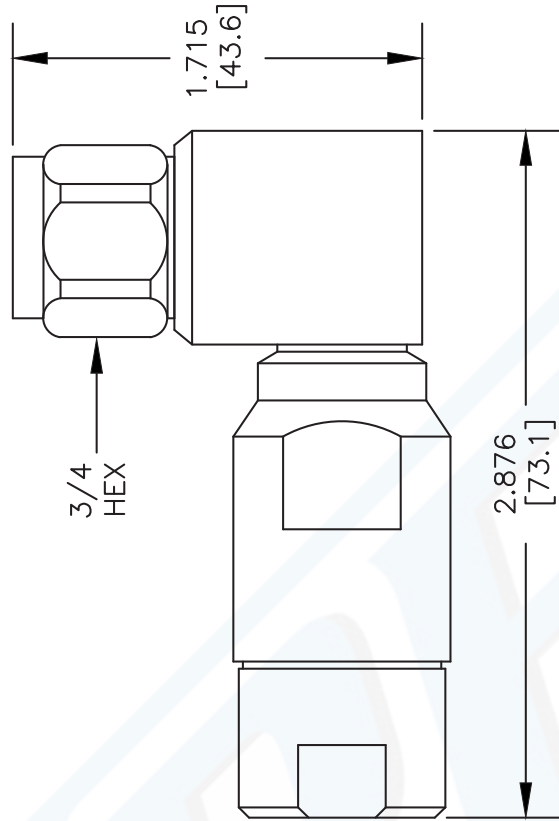
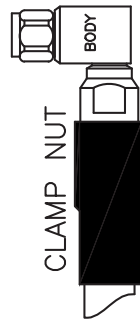
4. SLIDE O-RING OVER THREAD AND SEAT INTO PLACE. GREASE O-RING.



5. HOLD CLAMP NUT STEADY & SCREW BODY TIGHTLY ONTO CABLE.



6. HEAT THE SHRINK TUBING UNTIL IT MOLDS OVER THE CABLE, AS SHOWN BELOW.



DWG TITLE

PE44564

- NOTES:
1. UNLESS OTHERWISE SPECIFIED ALL DIMENSIONS ARE NOMINAL.
 2. ALL SPECIFICATIONS ARE SUBJECT TO CHANGE WITHOUT NOTICE AT ANY TIME.
 3. DIMENSIONS ARE IN INCHES [mm].
 4. FITS MIL-C-17 AND EQUIVALENT CABLES.

FSCM NO. 53919

CAD FILE 090808-A

SCALE N/A

SIZE A

XXXX



Pasternack Enterprises, Inc.
P.O. Box 16759 | Irvine | CA | 92623
Phone: (949) 261-1920 | Fax: (949) 261-7451
Website: www.pasternack.com | E-Mail: sales@pasternack.com