



## 7/16 DIN Female Connector Crimp/Solder Attachment For PE-C195, RG58, RG141, RG303, PE-P195, LMR-195

### TECHNICAL DATA SHEET

PE44544

#### 7/16 DIN Female Connector Crimp/Solder Attachment For PE-C195, RG58, RG141, RG303, PE-P195, LMR-195

##### Configuration

Connector	7/16 DIN Female
Connector Interface Type	PE-C195, RG58, RG141, RG303, PE-P195, LMR-195
Cable Attachment Method (Shield/Contact)	Crimp/Solder
Body Style	Straight

##### Electrical Specifications

Frequency Range, GHz	DC to 7.5
Impedance, Ohms	50

##### Mechanical Specifications

###### Size

Length, in [mm]	1.7 [43.18]
Width/Dia., in [mm]	1.15 [29.21]
Weight, lbs [g]	0.11 [49.9]

###### Connector

Type	7/16 DIN Female
Contact Material and Plating	Silver
Body Material and Plating	Brass, Tri-Metal
Dielectric Type	PTFE

##### Compliance Certifications (visit [www.Pasternack.com](http://www.Pasternack.com) for current document)

RoHS Compliant	Yes
----------------	-----

##### Plotted and Other Data

Notes:	Values at 25 °C, sea level
--------	----------------------------

7/16 DIN Female Connector Crimp/Solder Attachment For PE-C195, RG58, RG141, RG303, PE-P195, LMR-195 from Pasternack Enterprises has same day shipment for domestic and International orders. Our RF, microwave and fiber optic products maintain a 99% availability and are part of the broadest selection in the industry.

Click the following link (or enter part number in "SEARCH" on website) to obtain additional part information including price, inventory and certifications: [7/16 DIN Female Connector Crimp/Solder Attachment For PE-C195, RG58, RG141, RG303, PE-P195, LMR-195 PE44544](http://www.pasternack.com/7-16-female-standard-pe-c195-0.195-connector-pe44544-p.aspx)

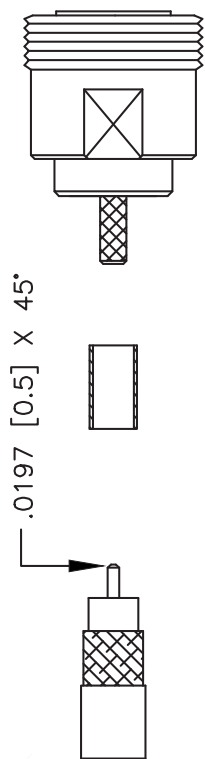
URL: <http://www.pasternack.com/7-16-female-standard-pe-c195-0.195-connector-pe44544-p.aspx>

The information contained in this document is accurate to the best of our knowledge and representative of the part described herein. It may be necessary to make modifications to the part and/or the documentation of the part, in order to implement improvements. Pasternack reserves the right to make such changes as required. Unless otherwise stated, all specifications are nominal.



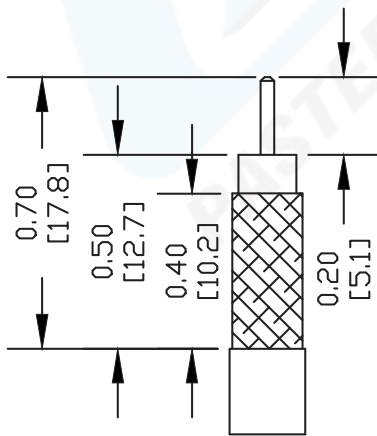
# PE44544 CAD Drawing

7/16 DIN Female Connector Crimp/Solder Attachment For  
PE-C195, RG58, RG141, RG303, PE-P195, LMR-195



FERRULE

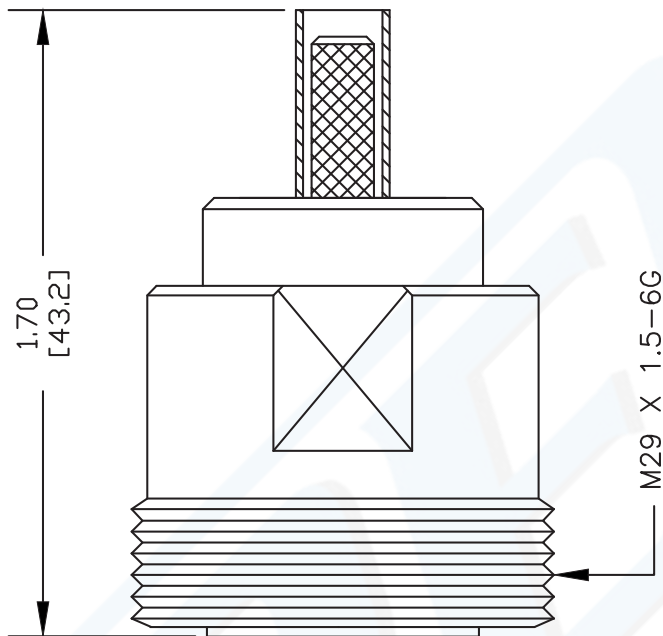
BODY



STRIPPING DIMENSIONS

### ASSEMBLY PROCEDURES

1. STRIP CABLE AS SHOWN & CHAMFER CENTER CONDUCTOR.
2. SLIDE FERRULE OVER CABLE. SLIDE SPACER OVER CENTER CONDUCTOR. INSTAL CABLE INTO BODY OF CONNECTOR UNTIL IT SEATS IN PLACE.
3. SLIDE FERRULE FORWARD AND AGAINST SHOULDER OF CONNECTOR & CRIMP.



### CRIMP SIZE REQUIRED

FERRULE: .213" HEX CRIMP TOOL



**PASTERNAK®**

Pasternack Enterprises, Inc.  
P.O. Box 16759 | Irvine | CA | 92623  
Phone: (949) 261-1920 | Fax: (949) 261-7451  
Website: [www.pasternack.com](http://www.pasternack.com) | E-Mail: [sales@pasternack.com](mailto:sales@pasternack.com)

DWG TITLE

**PE44544**

NOTES:  
1. UNLESS OTHERWISE SPECIFIED ALL DIMENSIONS ARE NOMINAL.  
2. ALL SPECIFICATIONS ARE SUBJECT TO CHANGE WITHOUT NOTICE AT ANY TIME.  
3. DIMENSIONS ARE IN INCHES [mm].  
4. FITS MIL-C-17 AND EQUIVALENT CABLES.

REV. C

FSCM NO. 53919

CAD FILE 081811

SCALE N/A

SIZE A

2231