



N Male Right Angle Connector Crimp/Solder Attachment For
PE-C195, RG58, RG141, RG303, PE-P195, LMR-195

TECHNICAL DATA SHEET

PE44524

N Male Right Angle Connector Crimp/Solder Attachment For PE-C195, RG58, RG141, RG303, PE-P195, LMR-195

Configuration

Connector	N Male
Connector Interface Type	PE-C195, RG58, RG141, RG303, PE-P195, LMR-195
Cable Attachment Method (Shield/Contact)	Crimp/Solder
Body Style	Right Angle

Electrical Specifications

Impedance, Ohms	50
-----------------	----

Mechanical Specifications

Size

Length, in [mm]	1.31 [33.27]
Width/Dia., in [mm]	0.71 [18.03]
Height, in [mm]	1.19 [30.23]
Weight, lbs [g]	0.11 [49.9]

Connector

Type	N Male
Contact Material and Plating	Brass, Gold
Coupling Nut Material and Plating	Brass, Tri-Metal
Body Material and Plating	Brass, Tri-Metal
Dielectric Type	Teflon

Compliance Certifications (visit www.Pasternack.com for current document)

RoHS Compliant	Yes
----------------	-----

Click the following link (or enter part number in "SEARCH" on website) to obtain additional part information including price, inventory and certifications: [N Male Right Angle Connector Crimp/Solder Attachment For PE-C195, RG58, RG141, RG303, PE-P195, LMR-195 PE44524](#)

The information contained in this document is accurate to the best of our knowledge and representative of the part described herein. It may be necessary to make modifications to the part and/or the documentation of the part, in order to implement improvements. Pasternack reserves the right to make such changes as required. Unless otherwise stated, all specifications are nominal.





N Male Right Angle Connector Crimp/Solder Attachment For
PE-C195, RG58, RG141, RG303, PE-P195, LMR-195

TECHNICAL DATA SHEET

PE44524

Plotted and Other Data

Notes:

Values at 25 °C, sea level

N Male Right Angle Connector Crimp/Solder Attachment For PE-C195, RG58, RG141, RG303, PE-P195, LMR-195 from Pasternack Enterprises has same day shipment for domestic and International orders. Our RF, microwave and fiber optic products maintain a 99% availability and are part of the broadest selection in the industry.

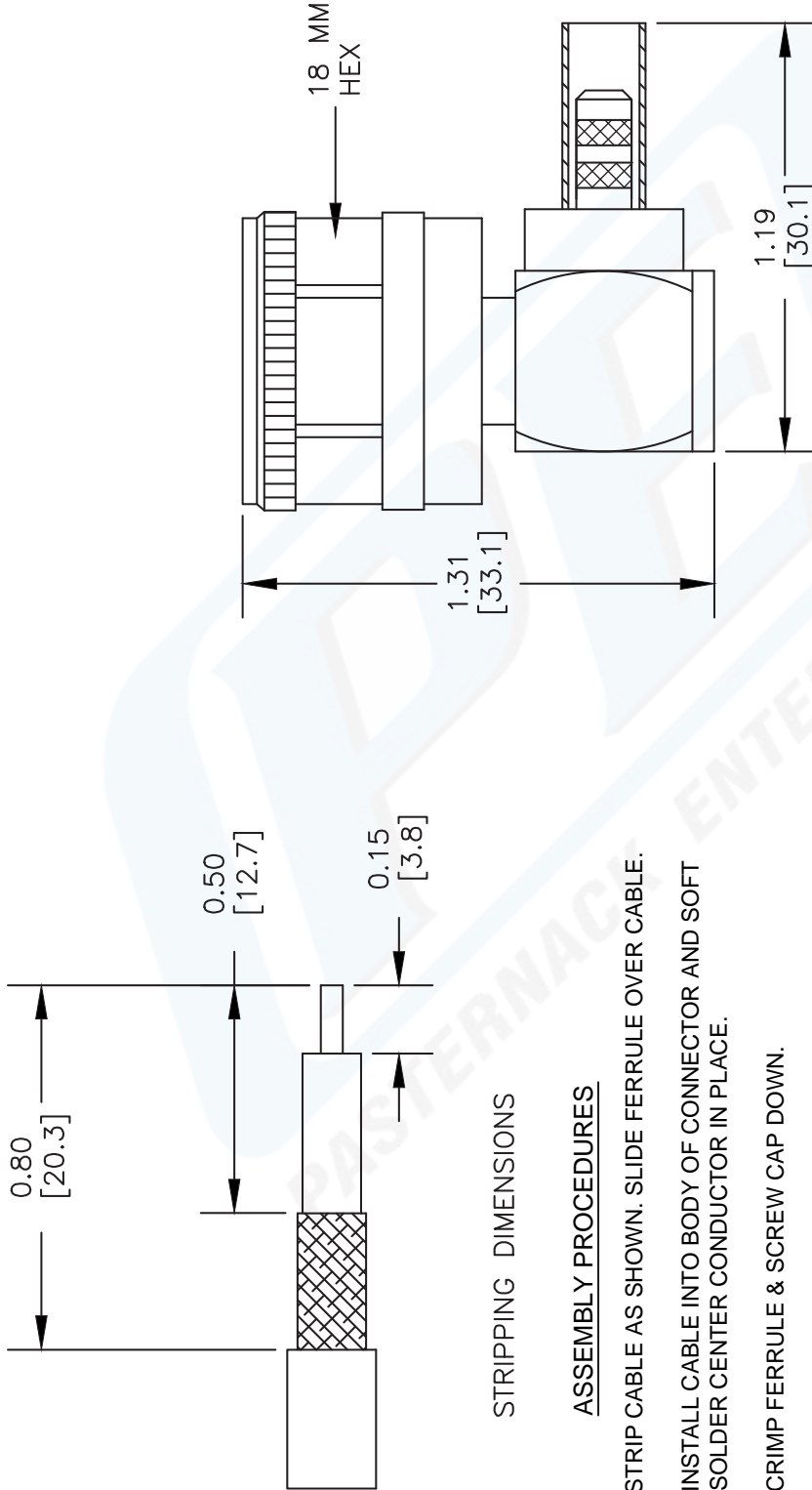
Click the following link (or enter part number in "SEARCH" on website) to obtain additional part information including price, inventory and certifications: [N Male Right Angle Connector Crimp/Solder Attachment For PE-C195, RG58, RG141, RG303, PE-P195, LMR-195 PE44524](http://www.pasternack.com/n-male-standard-pe-c195-0.195-connector-pe44524-p.aspx)

URL: <http://www.pasternack.com/n-male-standard-pe-c195-0.195-connector-pe44524-p.aspx>

The information contained in this document is accurate to the best of our knowledge and representative of the part described herein. It may be necessary to make modifications to the part and/or the documentation of the part, in order to implement improvements. Pasternack reserves the right to make such changes as required. Unless otherwise stated, all specifications are nominal.

PE44524 CAD Drawing

N Male Right Angle Connector Crimp/Solder Attachment For
PE-C195, RG58, RG141, RG303, PE-P195, LMR-195



DWG TITLE

PE44524

FSCM NO. 53919

NOTES:
1. UNLESS OTHERWISE SPECIFIED ALL DIMENSIONS ARE NOMINAL.
2. ALL SPECIFICATIONS ARE SUBJECT TO CHANGE WITHOUT NOTICE AT ANY TIME.
3. DIMENSIONS ARE IN INCHES [mm].
4. FITS MIL-C-17 AND EQUIVALENT CABLES.

CAD FILE 032213-B

SCALE N/A

SIZE A

2233

PE PASTERNAK®
Pasternack Enterprises, Inc.
P.O. Box 16759 | Irvine | CA | 92623
Phone: (949) 261-1920 | Fax: (949) 261-7451
Website: www.pasternack.com | E-Mail: sales@pasternack.com