



SSMA Female Connector Solder Attachment 2 Hole Flange
Mount Solder Cup Terminal, .328 inch Hole Spacing

RF Connectors Technical Data Sheet

PE44395

Configuration

- SSMA Female Connector
- MIL-STD-348
- 50 Ohms
- Straight Body Geometry
- Solder Cup Interface Type
- Solder Attachment
- 2 Hole Flange

Features

- Gold Plated Beryllium Copper Contact
- Contact plating according to MIL-G-45204

Applications

- General Purpose Test
- Rack and Panel Mount Applications

Description

Pasternack's PE44395 SSMA female connector solder attachment 2 hole flange mount solder cup terminal, .328 inch hole spacing is part of our full line of RF components available for same-day shipping. This SSMA 2 hole flange connector allows designers to create external connections on their product enclosures, and can be used in a variety of other rack mount and panel mount applications.

Our SSMA female 2 hole flange connector PE44395 datasheet specifications and drawing with dimensions are shown below in this PDF. Pasternack's broad catalog of RF, microwave and millimeter wave connectors allows designers to configure and customize their signal connections however they like. Whether the need is to provide an I/O for a board design, or simply create a custom cable assembly configuration, Pasternack has the right connector for the job. Pasternack can also expertly build your custom cable connector assemblies for you and ship same-day.

Mechanical Specifications

Size

Length	0.575 in [14.61 mm]
Width/Dia.	0.188 in [4.78 mm]
Height	0.481 in [12.22 mm]
Weight	0.004 lbs [1.81 g]

Material Specifications

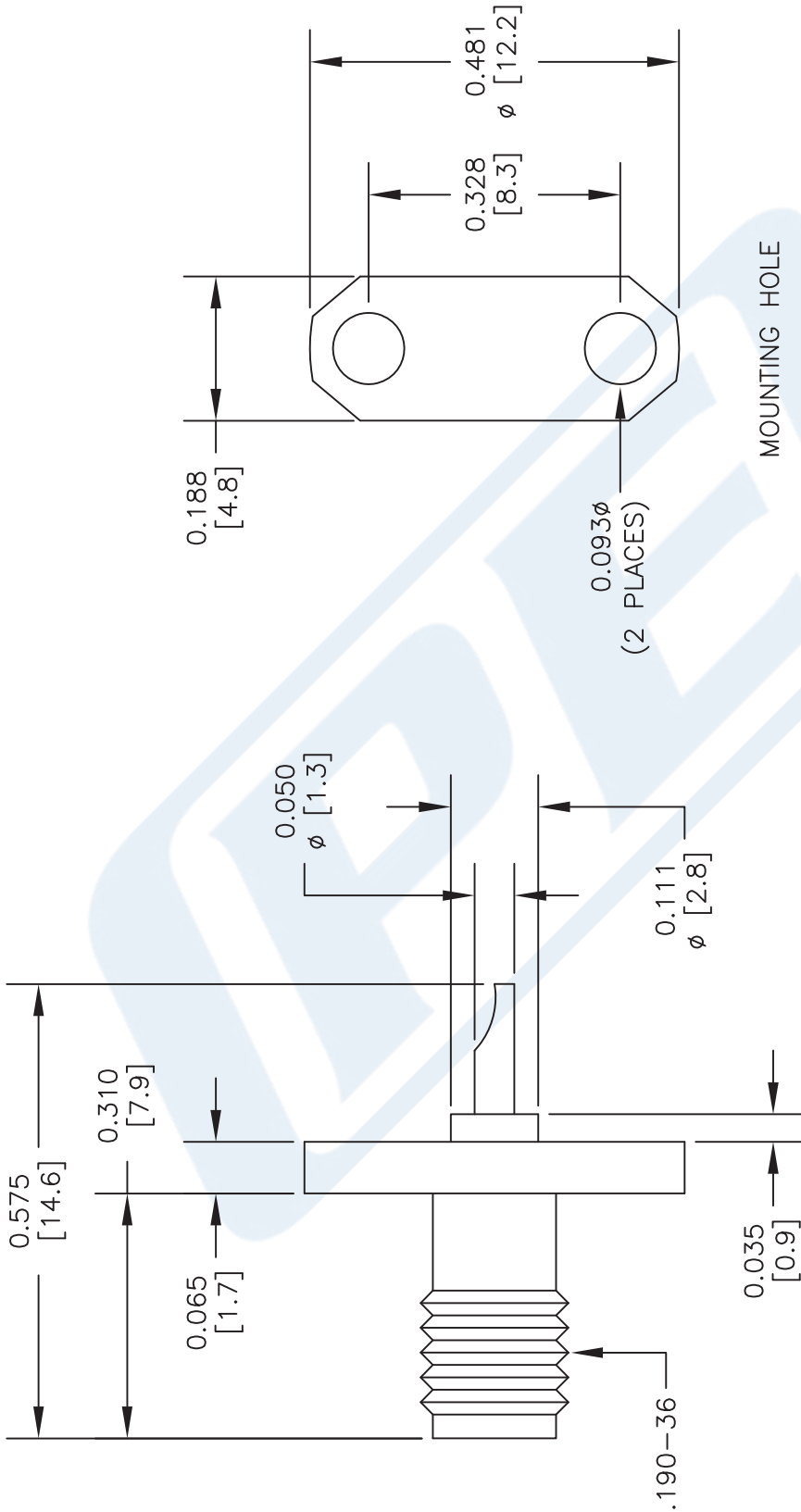
Description	Material	Plating
Contact	Beryllium Copper	Gold MIL-G-45204
Insulation	PTFE	
Body	Passivated Stainless Steel	QQ-P-35

Click the following link (or enter part number in "SEARCH" on website) to obtain additional part information including price, inventory and certifications: [SSMA Female Connector Solder Attachment 2 Hole Flange Mount Solder Cup Terminal, .328 inch Hole Spacing PE44395](#)



PE44395 CAD Drawing

SSMA Female Connector Solder Attachment 2 Hole Flange
Mount Solder Cup Terminal, .328 inch Hole Spacing



NOTES:
1. UNLESS OTHERWISE SPECIFIED ALL DIMENSIONS ARE NOMINAL.
2. ALL SPECIFICATIONS ARE SUBJECT TO CHANGE WITHOUT NOTICE AT ANY TIME.
3. DIMENSIONS ARE IN INCHES [mm].

DWG TITLE
PE44395

FSCM NO. 53919

CAD FILE 121015

SCALE N/A

SIZE A

2233

(PE) PASTERNAK®
THE ENGINEER'S RF SOURCE
Pasternack Enterprises, Inc.
P.O. Box 16759 | Irvine | CA | 92623
Phone: (949) 261-1920 | Fax: (949) 261-7451
Website: www.pasternack.com | E-Mail: sales@pasternack.com