



1.85mm Female Threaded Connector Field Replaceable Attachment 0.009 inch Pin

TECHNICAL DATA SHEET

PE44339

1.85mm Female Threaded Connector Field Replaceable Attachment 0.009 inch Pin

Configuration

Connector	1.85mm Female
Connector Interface Type	0.009 inch Pin
Cable Attachment Method (Shield/Contact)	Field Replaceable
Body Style	Straight
Mount Method	Threaded

Electrical Specifications

Frequency Range, GHz	DC to 65
Impedance, Ohms	50
Maximum VSWR	1.33:1
Maximum Insertion Loss, dB	0.4

Mechanical Specifications

Size

Length, in [mm]	0.449 [11.4]
Width/Dia., in [mm]	0.276 [7.01]
Weight, lbs [g]	0.005 [2.27]

Connector

Type	1.85mm Female
Contact Material and Plating	Beryllium Copper, Gold
Contact Plating Specification	MIL-G-45204, Type II, Class 1
Body Material and Plating	Passivated Stainless Steel
Body Plating Specification	ASTM A380
Dielectric Type	PPO

Compliance Certifications (visit www.Pasternack.com for current document)

RoHS Compliant	Yes
----------------	-----

Click the following link (or enter part number in "SEARCH" on website) to obtain additional part information including price, inventory and certifications: [1.85mm Female Threaded Connector Field Replaceable Attachment 0.009 inch Pin PE44339](#)

The information contained in this document is accurate to the best of our knowledge and representative of the part described herein. It may be necessary to make modifications to the part and/or the documentation of the part, in order to implement improvements. Pasternack reserves the right to make such changes as required. Unless otherwise stated, all specifications are nominal.



1.85mm Female Threaded Connector Field
Replaceable Attachment 0.009 inch Pin

TECHNICAL DATA SHEET

PE44339

Plotted and Other Data

Notes:

Values at 25 °C, sea level

1.85mm Female Threaded Connector Field Replaceable Attachment 0.009 inch Pin from Pasternack Enterprises has same day shipment for domestic and International orders. Our RF, microwave and fiber optic products maintain a 99% availability and are part of the broadest selection in the industry.

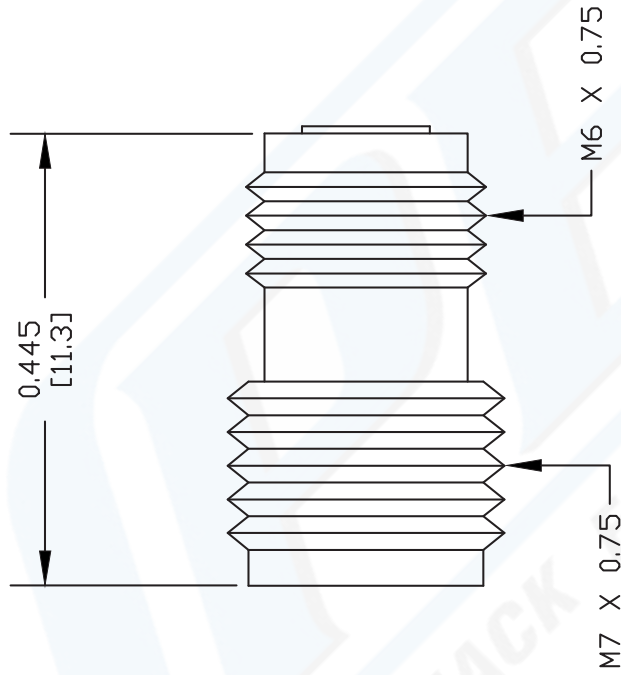
Click the following link (or enter part number in "SEARCH" on website) to obtain additional part information including price, inventory and certifications: [1.85mm Female Threaded Connector Field Replaceable Attachment 0.009 inch Pin PE44339](http://www.pasternack.com/1.85mm-female-standard-0.009-pin-connector-pe44339-p.aspx)

URL: <http://www.pasternack.com/1.85mm-female-standard-0.009-pin-connector-pe44339-p.aspx>

The information contained in this document is accurate to the best of our knowledge and representative of the part described herein. It may be necessary to make modifications to the part and/or the documentation of the part, in order to implement improvements. Pasternack reserves the right to make such changes as required. Unless otherwise stated, all specifications are nominal.

PE44339 CAD Drawing

1.85mm Female Threaded Connector Field Replaceable Attachment 0.009 inch Pin



DWG TITLE

PE44339

FSCM NO. 53919

NOTES:

1. UNLESS OTHERWISE SPECIFIED ALL DIMENSIONS ARE NOMINAL.
2. ALL SPECIFICATIONS ARE SUBJECT TO CHANGE WITHOUT NOTICE AT ANY TIME.
3. DIMENSIONS ARE IN INCHES [mm].
4. FITS MIL-C-17 AND EQUIVALENT CABLES.

CAD FILE 071603

SCALE N/A

SIZE A

127



Pasternack Enterprises, Inc.
P.O. Box 16759 | Irvine | CA | 92623
Phone: (949) 261-1920 | Fax: (949) 261-7451
Website: www.pasternack.com | E-Mail: sales@pasternack.com