



75 Ohm F Female Right Angle Bulkhead Connector
 Solder Attachment Thru Hole PCB, .350 inch D Hole

TECHNICAL DATA SHEET

PE44334

75 Ohm F Female Right Angle Bulkhead Connector Solder Attachment Thru Hole PCB, .350 inch D Hole

Configuration

Connector	F Female
Connector Interface Type	Thru Hole
Cable Attachment Method (Shield/Contact)	Solder
Body Style	Right Angle
Mount Method	Bulkhead

Electrical Specifications

Impedance, Ohms	75
-----------------	----

Mechanical Specifications

Size

Length, in [mm]	1.4 [35.56]
Width/Dia., in [mm]	0.374 [9.50]
Height, in [mm]	0.669 [16.99]
Weight, lbs [g]	0.151 [68.49]

Connector

Type	F Female
Contact Material and Plating	Tin-Lead
Body Material and Plating	Brass, Nickel
Dielectric Type	Delrin

Compliance Certifications (visit www.Pasternack.com for current document)

RoHS Compliant	Yes
----------------	-----

Plotted and Other Data

Notes:	Values at 25 °C, sea level
--------	----------------------------

75 Ohm F Female Right Angle Bulkhead Connector Solder Attachment Thru Hole PCB, .350 inch D Hole from Pasternack Enterprises has same day shipment for domestic and International orders. Our RF, microwave and fiber optic products maintain a 99% availability and are part of the broadest selection in the industry.

Click the following link (or enter part number in "SEARCH" on website) to obtain additional part information including price, inventory and certifications: [75 Ohm F Female Right Angle Bulkhead Connector Solder Attachment Thru Hole PCB, .350 inch D Hole PE44334](http://www.pasternack.com/f-female-standard-thru-hole-pcb-connector-pe44334-p.aspx)

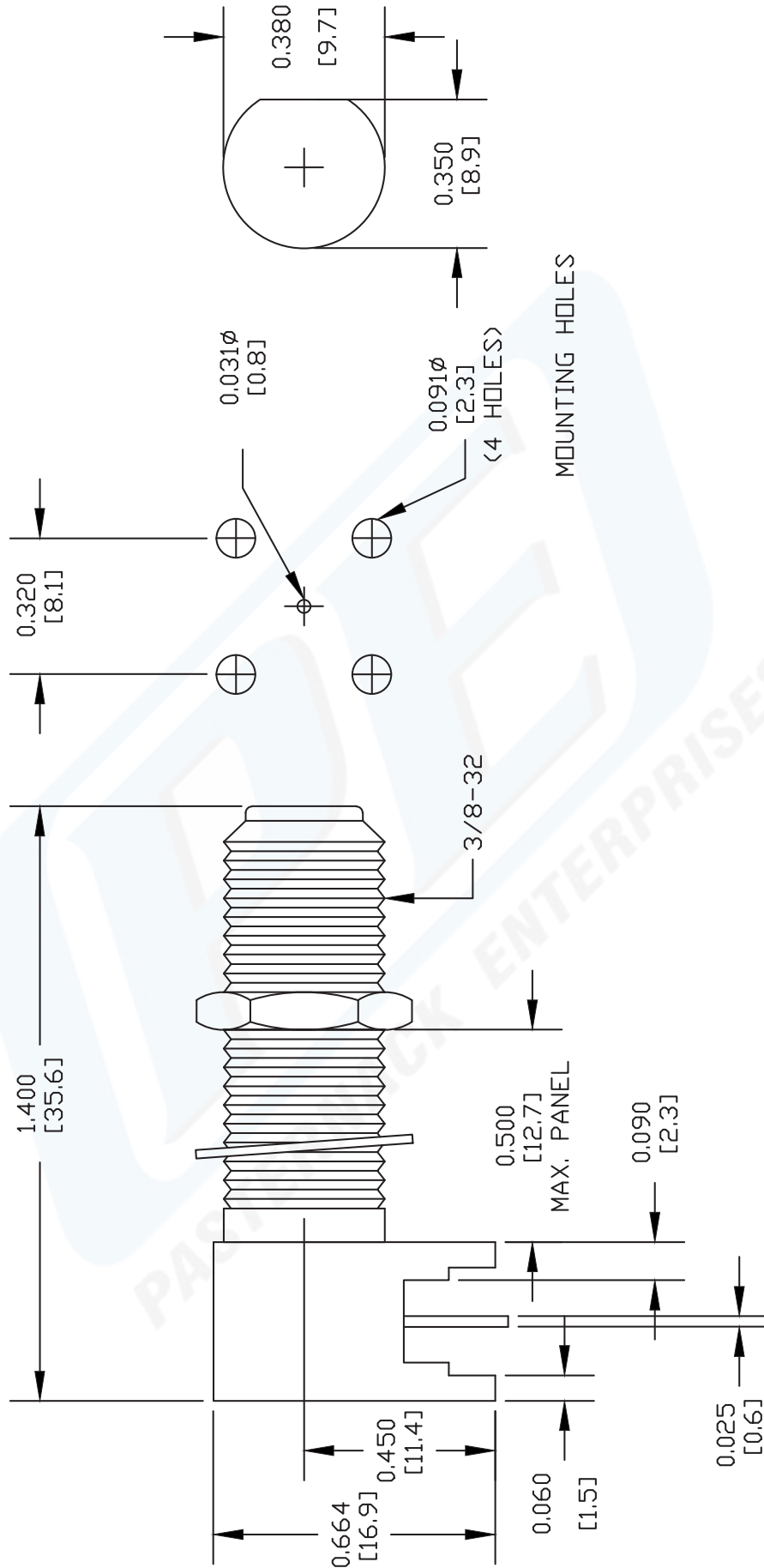
URL: <http://www.pasternack.com/f-female-standard-thru-hole-pcb-connector-pe44334-p.aspx>

The information contained in this document is accurate to the best of our knowledge and representative of the part described herein. It may be necessary to make modifications to the part and/or the documentation of the part, in order to implement improvements. Pasternack reserves the right to make such changes as required. Unless otherwise stated, all specifications are nominal.



PE44334 CAD Drawing

75 Ohm F Female Right Angle Bulkhead Connector Solder Attachment Thru Hole PCB, .350 inch D Hole



DWG TITLE

PE44334

- NOTES:
1. UNLESS OTHERWISE SPECIFIED ALL DIMENSIONS ARE NOMINAL.
 2. ALL SPECIFICATIONS ARE SUBJECT TO CHANGE WITHOUT NOTICE AT ANY TIME.
 3. DIMENSIONS ARE IN INCHES [mm].
 4. FITS MIL-C-17 AND EQUIVALENT CABLES.

FSCM NO. 53919

CAD FILE 110603

SCALE N/A

SIZE A

127



Pasternack Enterprises, Inc.
 P.O. Box 16759 | Irvine | CA | 92623
 Phone: (949) 261-1920 | Fax: (949) 261-7451
 Website: www.pasternack.com | E-Mail: sales@pasternack.com