



75 Ohm F Male Connector Twist Attachment for RG6

RF Connectors Technical Data Sheet

PE44314

Configuration

- F Male Connector
- 75 Ohms
- Straight Body Geometry
- RG6 Interface Type
- Twist Attachment
- 7/16 inch Hex

Applications

- General Purpose Test
- Custom Cable Assemblies
- CATV

Description

Pasternack's PE44314 75 ohm type F male connector with twist attachment for RG6 is part of our full line of RF components available for same-day shipping.

Our 75 ohm type F male connector PE44314 datasheet specifications and drawing with dimensions are shown below in this PDF. Pasternack's broad catalog of RF, microwave and millimeter wave connectors allows designers to configure and customize their signal connections however they like. Whether the need is to provide an I/O for a board design, or simply create a custom cable assembly configuration, Pasternack has the right connector for the job. Pasternack can also expertly build your custom cable assemblies for you and ship same-day.

Mechanical Specifications

Size

Length	0.79 in [20.07 mm]
Width/Dia.	0.438 in [11.13 mm]
Weight	0.017 lbs [7.71 g]

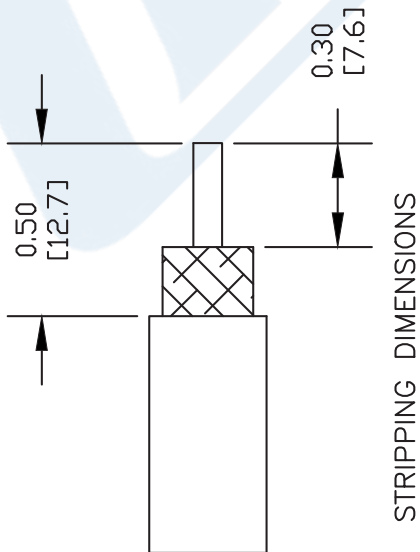
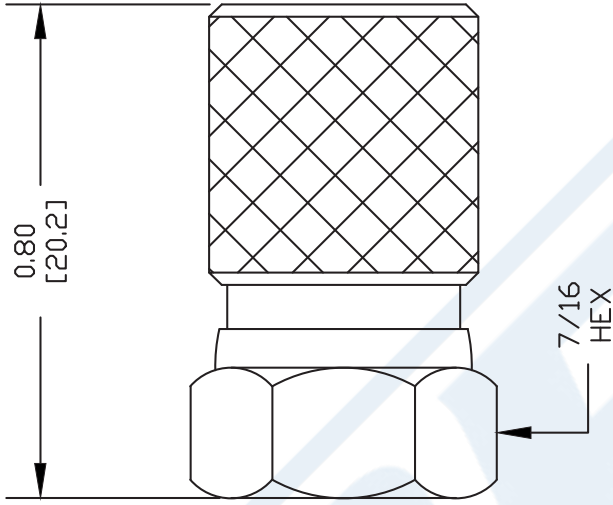
Material Specifications

Description	Material	Plating
Body	Brass	Nickel
Coupling Nut	Brass	Nickel

Click the following link (or enter part number in "SEARCH" on website) to obtain additional part information including price, inventory and certifications: [75 Ohm F Male Connector Twist Attachment for RG6 PE44314](#)

PE44314 CAD Drawing

75 Ohm F Male Connector Twist Attachment for RG6



ASSEMBLY PROCEDURES

1. STRIP CABLE AS SHOWN.
2. SCREW CONNECTOR ONTO CABLE UNTIL DIELECTRIC IS FLUSH WITH BODY SHOULDER.

NOTES:
 1. UNLESS OTHERWISE SPECIFIED ALL DIMENSIONS ARE NOMINAL.
 2. ALL SPECIFICATIONS ARE SUBJECT TO CHANGE WITHOUT NOTICE AT ANY TIME.
 3. DIMENSIONS ARE IN INCHES [mm].
 4. FITS MIL-C-17 AND EQUIVALENT CABLES.

DWG TITLE
PE44314

FSCM NO. 53919

2231

SIZE A

SCALE N/A

CAD FILE 012413-A



Pasternack Enterprises, Inc.
 P.O. Box 16759 | Irvine | CA | 92623

Phone: (949) 261-1920 | Fax: (949) 261-7451

Website: www.pasternack.com | E-Mail: sales@pasternack.com