



75 Ohm 1.6/5.6 Jack Right Angle Connector Solder Attachment
Thru Hole PCB, .200 inch x .052 inch Hole Spacing

TECHNICAL DATA SHEET

PE44271

75 Ohm 1.6/5.6 Jack Right Angle Connector Solder Attachment Thru Hole PCB, .200 inch x .052 inch Hole Spacing

Configuration

Connector	1.6/5.6 Jack
Connector Interface Type	Thru Hole
Cable Attachment Method (Shield/Contact)	Solder
Body Style	Right Angle

Electrical Specifications

Impedance, Ohms	75
-----------------	----

Mechanical Specifications

Size

Length, in [mm]	0.819 [20.8]
Width/Dia., in [mm]	0.374 [9.50]
Height, in [mm]	0.553 [14.05]
Weight, lbs [g]	0.013 [5.9]

Connector

Type	1.6/5.6 Jack
Contact Material and Plating	Beryllium Copper, Gold
Contact Plating Specification	3µ in. minimum
Body Material and Plating	Brass, Gold
Body Plating Specification	3µ in. minimum
Dielectric Type	Teflon

Compliance Certifications (visit www.Pasternack.com for current document)

RoHS Compliant	Yes
----------------	-----

Click the following link (or enter part number in "SEARCH" on website) to obtain additional part information including price, inventory and certifications: [75 Ohm 1.6/5.6 Jack Right Angle Connector Solder Attachment Thru Hole PCB, .200 inch x .052 inch Hole Spacing PE44271](#)

The information contained in this document is accurate to the best of our knowledge and representative of the part described herein. It may be necessary to make modifications to the part and/or the documentation of the part, in order to implement improvements. Pasternack reserves the right to make such changes as required. Unless otherwise stated, all specifications are nominal.





75 Ohm 1.6/5.6 Jack Right Angle Connector Solder Attachment
Thru Hole PCB, .200 inch x .052 inch Hole Spacing

TECHNICAL DATA SHEET

PE44271

Plotted and Other Data

Notes:

Values at 25 °C, sea level

75 Ohm 1.6/5.6 Jack Right Angle Connector Solder Attachment Thru Hole PCB, .200 inch x .052 inch Hole Spacing from Pasternack Enterprises has same day shipment for domestic and International orders. Our RF, microwave and fiber optic products maintain a 99% availability and are part of the broadest selection in the industry.

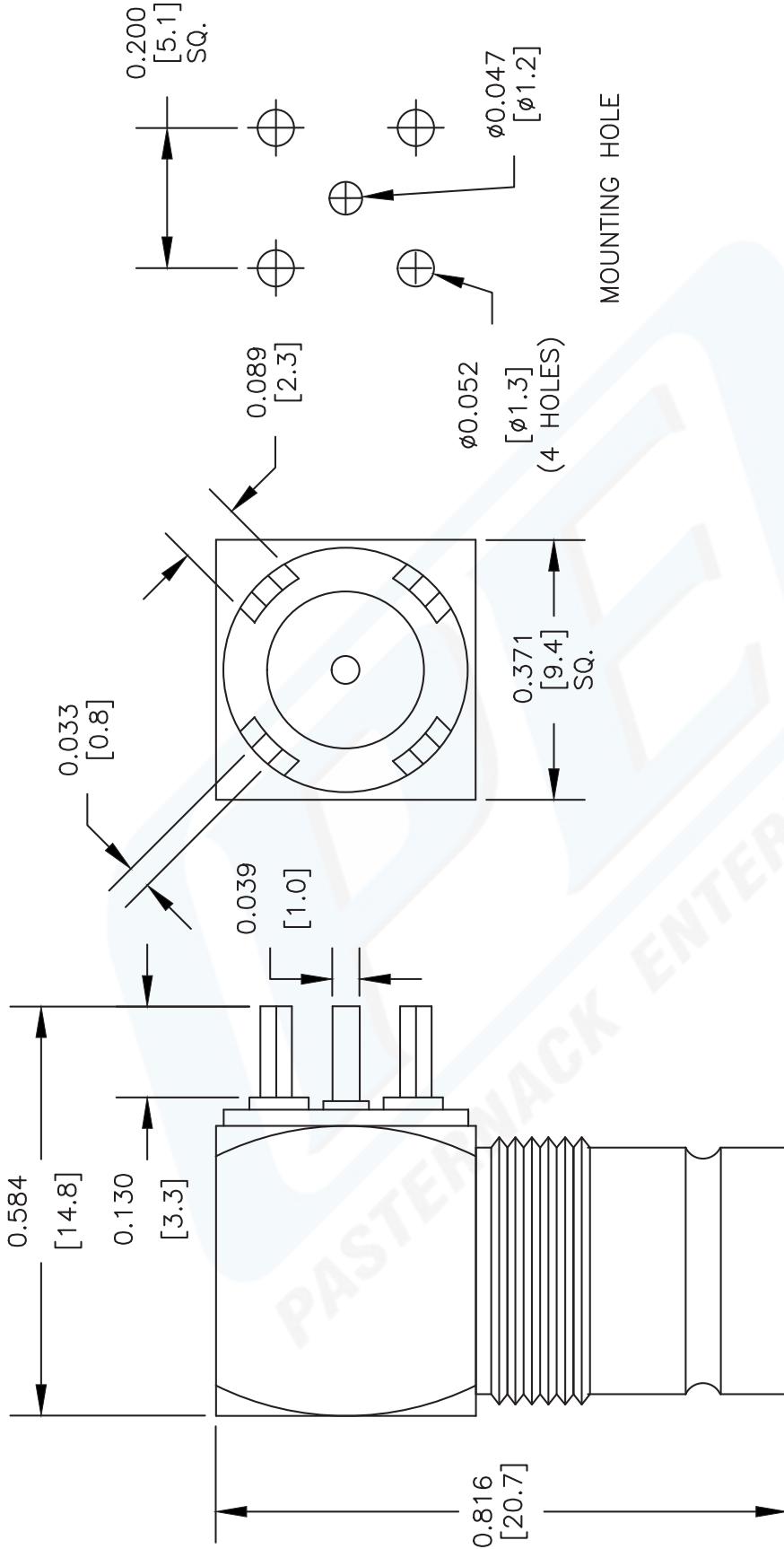
Click the following link (or enter part number in "SEARCH" on website) to obtain additional part information including price, inventory and certifications: [75 Ohm 1.6/5.6 Jack Right Angle Connector Solder Attachment Thru Hole PCB, .200 inch x .052 inch Hole Spacing PE44271](http://www.pasternack.com/1.6-5.6-jack-standard-thru-hole-pcb-connector-pe44271-p.aspx)

URL: <http://www.pasternack.com/1.6-5.6-jack-standard-thru-hole-pcb-connector-pe44271-p.aspx>

The information contained in this document is accurate to the best of our knowledge and representative of the part described herein. It may be necessary to make modifications to the part and/or the documentation of the part, in order to implement improvements. Pasternack reserves the right to make such changes as required. Unless otherwise stated, all specifications are nominal.

PE44271 CAD Drawing

75 Ohm 1.6/5.6 Jack Right Angle Connector Solder Attachment
Thru Hole PCB, .200 inch x .052 inch Hole Spacing



DWG TITLE

PE44271

- NOTES:
1. UNLESS OTHERWISE SPECIFIED ALL DIMENSIONS ARE NOMINAL.
 2. ALL SPECIFICATIONS ARE SUBJECT TO CHANGE WITHOUT NOTICE AT ANY TIME.
 3. DIMENSIONS ARE IN INCHES [mm].
 4. FITS MIL-C-17 AND EQUIVALENT CABLES.

FSCM NO. 53919

CAD FILE 070202

SCALE N/A

SIZE A

127



Pasternack Enterprises, Inc.
P.O. Box 16759 | Irvine | CA | 92623
Phone: (949) 261-1920 | Fax: (949) 261-7451
Website: www.pasternack.com | E-Mail: sales@pasternack.com