



75 Ohm 1.6/5.6 Jack Right Angle Bulkhead Connector Crimp/  
 Solder Attachment For RG179, RG187, .362 inch DD Hole

TECHNICAL DATA SHEET

PE44268

**75 Ohm 1.6/5.6 Jack Right Angle Bulkhead Connector Crimp/Solder Attachment For RG179, RG187, .362 inch DD Hole**

**Configuration**

|                                          |              |
|------------------------------------------|--------------|
| Connector                                | 1.6/5.6 Jack |
| Connector Interface Type                 | RG179, RG187 |
| Cable Attachment Method (Shield/Contact) | Crimp/Solder |
| Body Style                               | Right Angle  |
| Mount Method                             | Bulkhead     |

**Electrical Specifications**

|                 |    |
|-----------------|----|
| Impedance, Ohms | 75 |
|-----------------|----|

**Mechanical Specifications**

**Size**

|                     |               |
|---------------------|---------------|
| Length, in [mm]     | 1.035 [26.29] |
| Width/Dia., in [mm] | 0.433 [11.00] |
| Height, in [mm]     | 0.705 [17.91] |
| Weight, lbs [g]     | 0.027 [12.25] |

**Connector**

|                               |                        |
|-------------------------------|------------------------|
| Type                          | 1.6/5.6 Jack           |
| Contact Material and Plating  | Beryllium Copper, Gold |
| Contact Plating Specification | 30µ in. minimum        |
| Body Material and Plating     | Brass, Nickel          |
| Body Plating Specification    | 100µ in. minimum       |
| Dielectric Type               | Teflon                 |

**Compliance Certifications** (visit [www.Pasternack.com](http://www.Pasternack.com) for current document)

|                |     |
|----------------|-----|
| RoHS Compliant | Yes |
|----------------|-----|

Click the following link (or enter part number in "SEARCH" on website) to obtain additional part information including price, inventory and certifications: [75 Ohm 1.6/5.6 Jack Right Angle Bulkhead Connector Crimp/Solder Attachment For RG179, RG187, .362 inch DD Hole PE44268](#)

The information contained in this document is accurate to the best of our knowledge and representative of the part described herein. It may be necessary to make modifications to the part and/or the documentation of the part, in order to implement improvements. Pasternack reserves the right to make such changes as required. Unless otherwise stated, all specifications are nominal.





75 Ohm 1.6/5.6 Jack Right Angle Bulkhead Connector Crimp/  
Solder Attachment For RG179, RG187, .362 inch DD Hole

TECHNICAL DATA SHEET

PE44268

**Plotted and Other Data**

Notes:

Values at 25 °C, sea level

75 Ohm 1.6/5.6 Jack Right Angle Bulkhead Connector Crimp/Solder Attachment For RG179, RG187, .362 inch DD Hole from Pasternack Enterprises has same day shipment for domestic and International orders. Our RF, microwave and fiber optic products maintain a 99% availability and are part of the broadest selection in the industry.

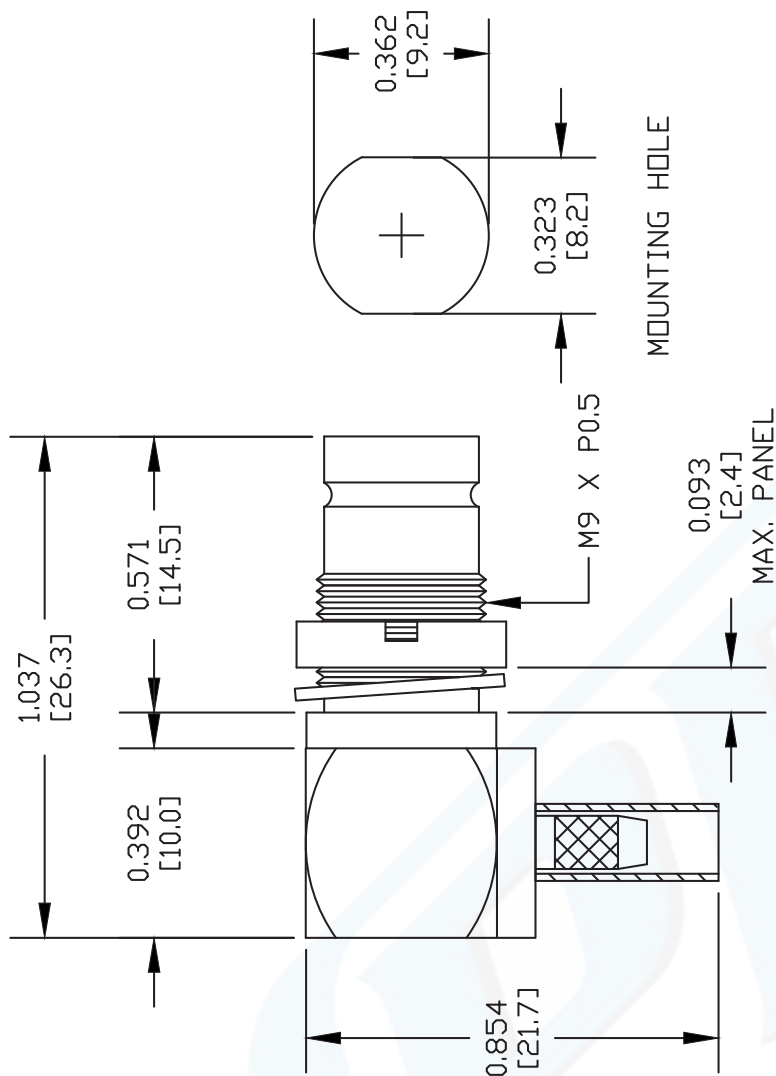
Click the following link (or enter part number in "SEARCH" on website) to obtain additional part information including price, inventory and certifications: [75 Ohm 1.6/5.6 Jack Right Angle Bulkhead Connector Crimp/Solder Attachment For RG179, RG187, .362 inch DD Hole PE44268](http://www.pasternack.com/1.6-5.6-jack-standard-rg179-rg187-connector-pe44268-p.aspx)

URL: <http://www.pasternack.com/1.6-5.6-jack-standard-rg179-rg187-connector-pe44268-p.aspx>

The information contained in this document is accurate to the best of our knowledge and representative of the part described herein. It may be necessary to make modifications to the part and/or the documentation of the part, in order to implement improvements. Pasternack reserves the right to make such changes as required. Unless otherwise stated, all specifications are nominal.

# PE44268 CAD Drawing

75 Ohm 1.6/5.6 Jack Right Angle Bulkhead Connector Crimp/  
Solder Attachment For RG179, RG187, .362 inch DD Hole



## STRIPPING DIMENSIONS ASSEMBLY PROCEDURES

1. STRIP CABLE AS SHOWN. SLIDE FERRULE OVER CABLE
2. INSTALL CABLE INTO BODY OF CONNECTOR AND SOFT SOLDER CENTER CONDUCTOR IN PLACE.
3. CRIMP FERRULE, INSERT INSULATOR & SCREW CAP.

## CRIMP SIZE REQUIRED

FERRULE: .128" HEX CRIMP TOOL



**PASTERNAK**<sup>®</sup>  
Pasternack Enterprises, Inc.  
P.O. Box 16759 | Irvine | CA | 92623  
Phone: (949) 261-1920 | Fax: (949) 261-7451  
Website: www.pasternack.com | E-Mail: sales@pasternack.com

DWG TITLE

**PE44268**

FSCM NO. 53919

CAD FILE 070202

SCALE N/A

SIZE A

127

NOTES:  
1. UNLESS OTHERWISE SPECIFIED ALL DIMENSIONS ARE NOMINAL.  
2. ALL SPECIFICATIONS ARE SUBJECT TO CHANGE WITHOUT NOTICE AT ANY TIME.  
3. DIMENSIONS ARE IN INCHES (mm).  
4. FITS MIL-C-17 AND EQUIVALENT CABLES.