



75 Ohm 1.6/5.6 Plug Connector Crimp/
Solder Attachment For RG179, RG187

TECHNICAL DATA SHEET

PE44262

75 Ohm 1.6/5.6 Plug Connector Crimp/Solder Attachment For RG179, RG187

Configuration

Connector	1.6/5.6 Plug
Connector Interface Type	RG179, RG187
Cable Attachment Method (Shield/Contact)	Crimp/Solder
Body Style	Straight

Electrical Specifications

Impedance, Ohms	75
-----------------	----

Mechanical Specifications

Size

Length, in [mm]	1.09 [27.69]
Width/Dia., in [mm]	0.425 [10.80]
Weight, lbs [g]	0.013 [5.9]

Connector

Type	1.6/5.6 Plug
Contact Material and Plating	Brass, Gold
Contact Plating Specification	3μ-5μ in. minimum
Coupling Nut Material and Plating	Brass, Nickel
Coupling Nut Plating Specification	100μ in. minimum
Body Material and Plating	Brass, Nickel
Body Plating Specification	100μ in. minimum
Dielectric Type	Teflon

Compliance Certifications (visit www.Pasternack.com for current document)

RoHS Compliant	Yes
----------------	-----

Plotted and Other Data

Notes:	Values at 25 °C, sea level
--------	----------------------------

75 Ohm 1.6/5.6 Plug Connector Crimp/Solder Attachment For RG179, RG187 from Pasternack Enterprises has same day shipment for domestic and International orders. Our RF, microwave and fiber optic products maintain a 99% availability and are part of the broadest selection in the industry.

Click the following link (or enter part number in "SEARCH" on website) to obtain additional part information including price, inventory and certifications: [75 Ohm 1.6/5.6 Plug Connector Crimp/Solder Attachment For RG179, RG187 PE44262](http://www.pasternack.com/1.6-5.6-plug-standard-rg179-rg187-connector-pe44262-p.aspx)

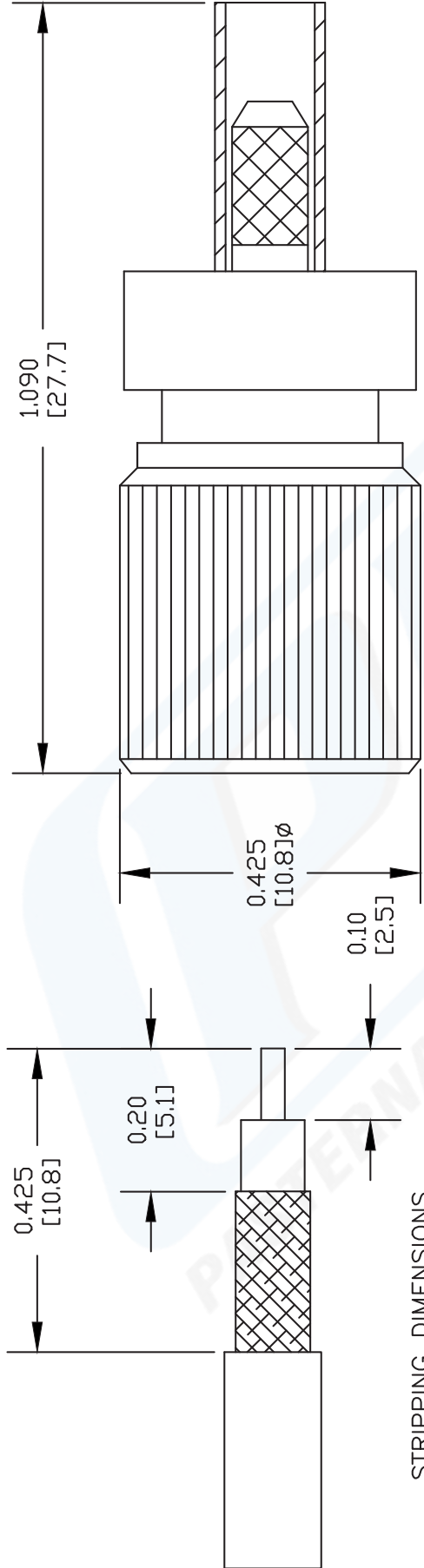
URL: <http://www.pasternack.com/1.6-5.6-plug-standard-rg179-rg187-connector-pe44262-p.aspx>

The information contained in this document is accurate to the best of our knowledge and representative of the part described herein. It may be necessary to make modifications to the part and/or the documentation of the part, in order to implement improvements. Pasternack reserves the right to make such changes as required. Unless otherwise stated, all specifications are nominal.



PE44262 CAD Drawing

75 Ohm 1.6/5.6 Plug Connector Crimp/Solder Attachment For RG179, RG187



CRIMP SIZE REQUIRED

CONTACT: SOLDER
FERRULE: .128" HEX CRIMP TOOL

- NOTES:
1. UNLESS OTHERWISE SPECIFIED ALL DIMENSIONS ARE NOMINAL.
 2. ALL SPECIFICATIONS ARE SUBJECT TO CHANGE WITHOUT NOTICE AT ANY TIME.
 3. DIMENSIONS ARE IN INCHES [mm].
 4. FITS MIL-C-17 AND EQUIVALENT CABLES.

DWG TITLE
PE44262

FSCM NO. 53919

XXXX

SIZE A

SCALE N/A

CAD FILE 071202

PE PASTERNAK®
 Pasternack Enterprises, Inc.
 P.O. Box 16759 | Irvine | CA | 92623
Phone: (949) 261-1920 | **Fax:** (949) 261-7451
Website: www.pasternack.com | **E-Mail:** sales@pasternack.com