



2.4mm Male Connector Solder Attachment 2 Hole  
Flange Pin Terminal, .481 inch Hole Spacing

TECHNICAL DATA SHEET

PE44220

**2.4mm Male Connector Solder Attachment 2 Hole Flange Pin Terminal, .481 inch Hole Spacing**

**Configuration**

Connector	2.4mm Male
Connector Interface Type	Pin
Cable Attachment Method (Shield/Contact)	Solder
Body Style	Straight
Mount Method	2 Hole Flange

**Electrical Specifications**

Impedance, Ohms	50
-----------------	----

**Mechanical Specifications**

**Size**

Length, in [mm]	0.805 [20.45]
Width/Dia., in [mm]	0.275 [6.99]
Height, in [mm]	0.625 [15.88]
Weight, lbs [g]	0.013 [5.9]

**Connector**

Type	2.4mm Male
Contact Material and Plating	Gold
Coupling Nut Material and Plating	Brass, Nickel
Hex Size, in.	5/16
Torque, in-lbs [Nm]	5 [0.57]
Body Material and Plating	Passivated Stainless Steel
Dielectric Type	PPO

**Compliance Certifications** (visit [www.Pasternack.com](http://www.Pasternack.com) for current document)

RoHS Compliant	Yes
----------------	-----

Click the following link (or enter part number in "SEARCH" on website) to obtain additional part information including price, inventory and certifications: [2.4mm Male Connector Solder Attachment 2 Hole Flange Pin Terminal, .481 inch Hole Spacing PE44220](#)

The information contained in this document is accurate to the best of our knowledge and representative of the part described herein. It may be necessary to make modifications to the part and/or the documentation of the part, in order to implement improvements. Pasternack reserves the right to make such changes as required. Unless otherwise stated, all specifications are nominal.





2.4mm Male Connector Solder Attachment 2 Hole  
Flange Pin Terminal, .481 inch Hole Spacing

TECHNICAL DATA SHEET

PE44220

**Plotted and Other Data**

Notes:

Values at 25 °C, sea level

2.4mm Male Connector Solder Attachment 2 Hole Flange Pin Terminal, .481 inch Hole Spacing from Pasternack Enterprises has same day shipment for domestic and International orders. Our RF, microwave and fiber optic products maintain a 99% availability and are part of the broadest selection in the industry.

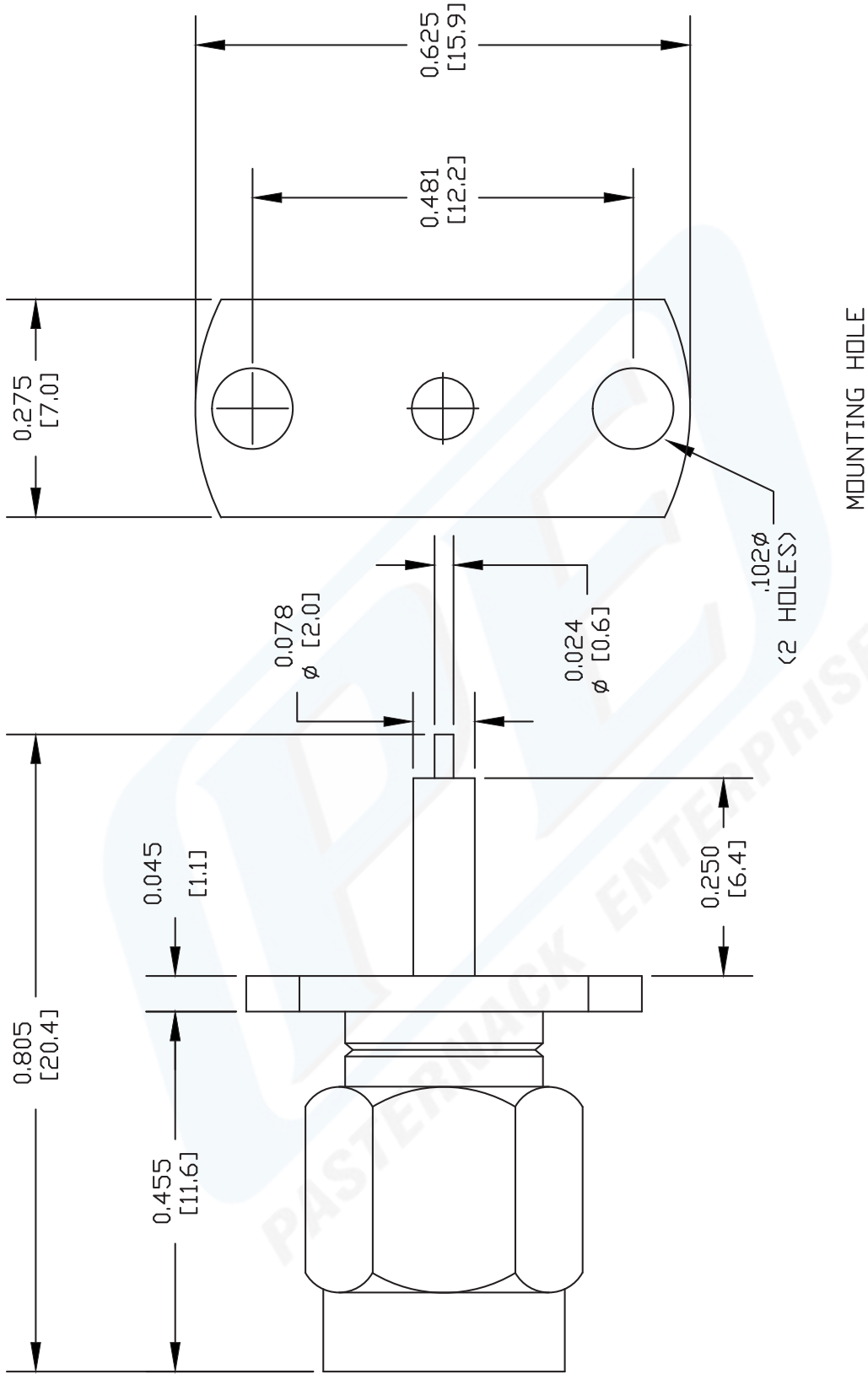
Click the following link (or enter part number in "SEARCH" on website) to obtain additional part information including price, inventory and certifications: [2.4mm Male Connector Solder Attachment 2 Hole Flange Pin Terminal, .481 inch Hole Spacing PE44220](http://www.pasternack.com/2.4mm-male-standard-pin-terminal-connector-pe44220-p.aspx)

URL: <http://www.pasternack.com/2.4mm-male-standard-pin-terminal-connector-pe44220-p.aspx>

The information contained in this document is accurate to the best of our knowledge and representative of the part described herein. It may be necessary to make modifications to the part and/or the documentation of the part, in order to implement improvements. Pasternack reserves the right to make such changes as required. Unless otherwise stated, all specifications are nominal.

# PE44220 CAD Drawing

2.4mm Male Connector Solder Attachment 2 Hole Flange  
Pin Terminal, .481 inch Hole Spacing



DWG TITLE

**PE44220**

NOTES:  
 1. UNLESS OTHERWISE SPECIFIED ALL DIMENSIONS ARE NOMINAL.  
 2. ALL SPECIFICATIONS ARE SUBJECT TO CHANGE WITHOUT NOTICE AT ANY TIME.  
 3. DIMENSIONS ARE IN INCHES [mm].  
 4. FITS MIL-C-17 AND EQUIVALENT CABLES.

FSCM NO. 53919

CAD FILE 070202

SCALE N/A

SIZE A

127



Pasternack Enterprises, Inc.  
 P.O. Box 16759 | Irvine | CA | 92623  
**Phone:** (949) 261-1920 | **Fax:** (949) 261-7451  
**Website:** www.pasternack.com | **E-Mail:** sales@pasternack.com