



Mini UHF Female Bulkhead Connector Crimp/
Solder Attachment For RG58, .410 inch D Hole

TECHNICAL DATA SHEET

PE44087

Mini UHF Female Bulkhead Connector Crimp/Solder Attachment For RG58, .410 inch D Hole

Configuration

Connector	Mini UHF Female
Connector Interface Type	RG58
Cable Attachment Method (Shield/Contact)	Crimp/Solder
Body Style	Straight
Mount Method	Bulkhead

Electrical Specifications

Impedance, Ohms	50
-----------------	----

Mechanical Specifications

Size

Length, in [mm]	1.25 [31.75]
Width/Dia., in [mm]	0.5 [12.70]
Weight, lbs [g]	0.027 [12.25]

Connector

Type	Mini UHF Female
Contact Material and Plating	Gold
Body Material and Plating	Brass, Nickel
Dielectric Type	PTFE

Compliance Certifications (visit www.Pasternack.com for current document)

RoHS Compliant	Yes
----------------	-----

Plotted and Other Data

Notes:	Values at 25 °C, sea level
--------	----------------------------

Mini UHF Female Bulkhead Connector Crimp/Solder Attachment For RG58, .410 inch D Hole from Pasternack Enterprises has same day shipment for domestic and International orders. Our RF, microwave and fiber optic products maintain a 99% availability and are part of the broadest selection in the industry.

Click the following link (or enter part number in "SEARCH" on website) to obtain additional part information including price, inventory and certifications: [Mini UHF Female Bulkhead Connector Crimp/Solder Attachment For RG58, .410 inch D Hole PE44087](http://www.pasternack.com/mini-uhf-female-standard-rg58-connector-pe44087-p.aspx)

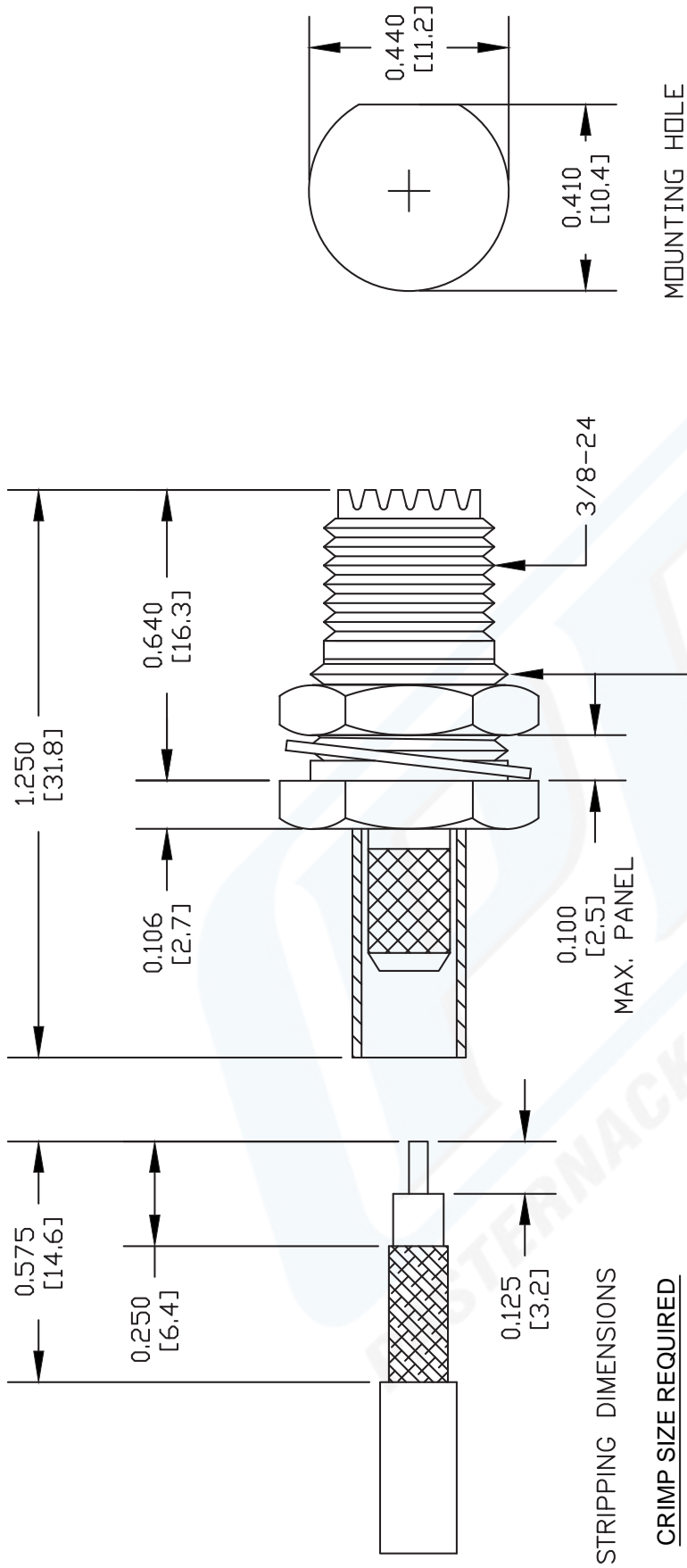
URL: <http://www.pasternack.com/mini-uhf-female-standard-rg58-connector-pe44087-p.aspx>

The information contained in this document is accurate to the best of our knowledge and representative of the part described herein. It may be necessary to make modifications to the part and/or the documentation of the part, in order to implement improvements. Pasternack reserves the right to make such changes as required. Unless otherwise stated, all specifications are nominal.



PE44087 CAD Drawing

Mini UHF Female Bulkhead Connector Crimp/Solder
Attachment For RG58, .410 inch D Hole



- NOTES:
1. UNLESS OTHERWISE SPECIFIED ALL DIMENSIONS ARE NOMINAL.
2. ALL SPECIFICATIONS ARE SUBJECT TO CHANGE WITHOUT NOTICE AT ANY TIME.
3. DIMENSIONS ARE IN INCHES [mm].
4. FITS MIL-C-17 AND EQUIVALENT CABLES.

DWG TITLE
PE44087

FSCM NO. 53919

SCALE N/A

SIZE A

CAD FILE 062502

127

PE PASTERNAK®
Pasternack Enterprises, Inc.
P.O. Box 16759 | Irvine | CA | 92623
Phone: (949) 261-1920 | Fax: (949) 261-7451
Website: www.pasternack.com | E-Mail: sales@pasternack.com