



UHF Female Bulkhead Mount Connector Solder Attachment Solder Cup Terminal, .575 inch D Hole, Front Mount

RF Connectors Technical Data Sheet

PE44059

Configuration

- UHF Female Connector
- MIL-C-39012
- 50 Ohms
- Straight Body Geometry
- Solder Cup Interface Type
- Solder Attachment
- Bulkhead

Features

- Gold Plated Brass Contact
- 3 µin minimum contact plating

Applications

- General Purpose Test
- Rack and Panel Mount Applications

Description

Pasternack's PE44059 UHF female bulkhead mount connector solder attachment solder cup terminal, .575 inch D hole is part of our full line of RF components available for same-day shipping. This UHF bulkhead connector allows designers to create external connections on their product enclosures, and can be used in a variety of other rack mount and panel mount applications.

Our UHF female bulkhead connector PE44059 datasheet specifications and drawing with dimensions are shown below in this PDF. Pasternack's broad catalog of RF, microwave and millimeter wave connectors allows designers to configure and customize their signal connections however they like. Whether the need is to provide an I/O for a board design, or simply create a custom cable assembly configuration, Pasternack has the right connector for the job. Pasternack can also expertly build your custom cable connector assemblies for you and ship same-day.

Mechanical Specifications

Size

| | |
|------------|---------------------|
| Length | 1.01 in [25.65 mm] |
| Width/Dia. | 0.748 in [19.00 mm] |
| Weight | 0.041 lbs [18.6 g] |

Material Specifications

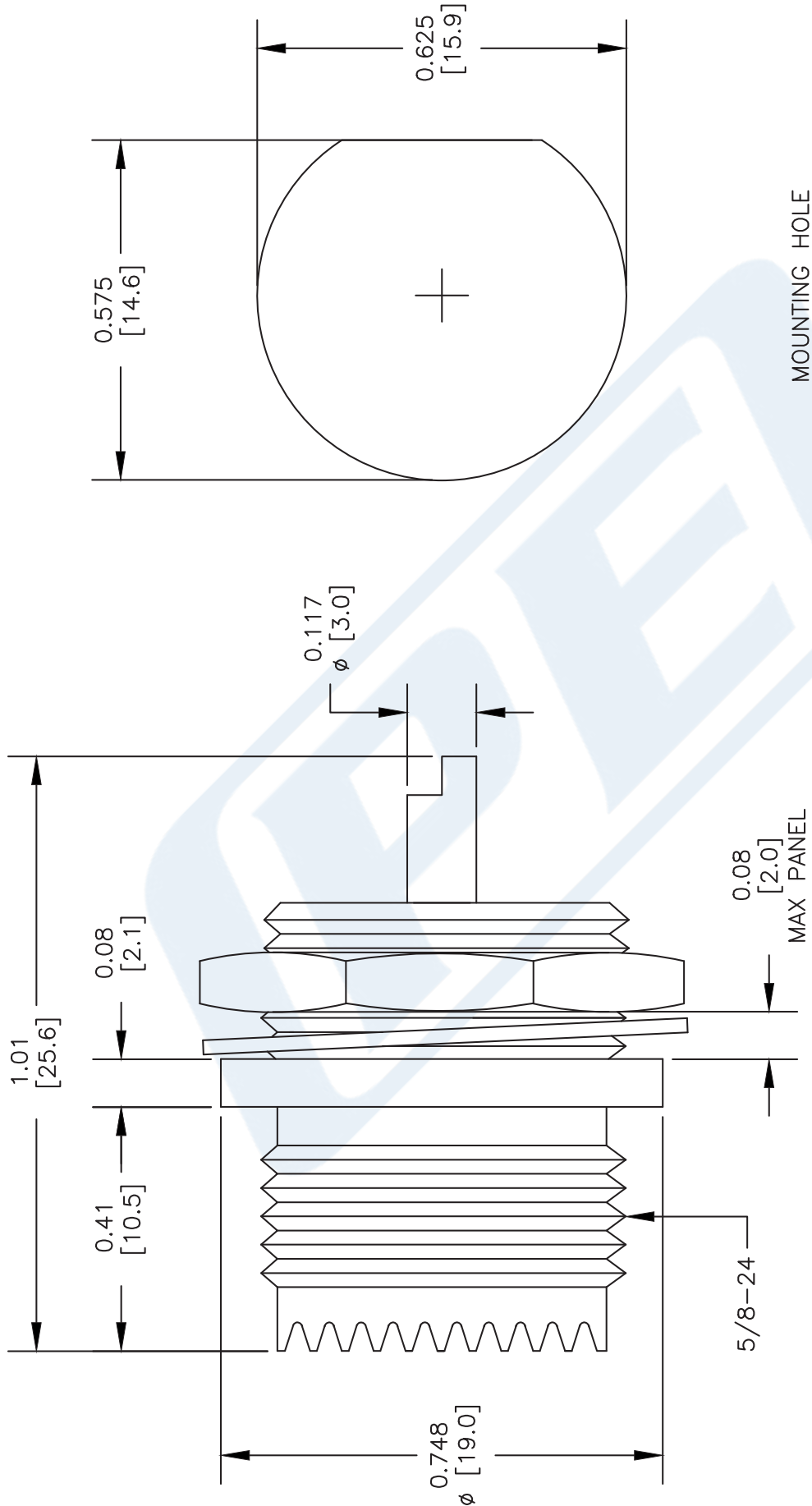
| Description | Material | Plating |
|-------------|----------|---------------------------|
| Contact | Brass | Gold 3 µin minimum |
| Insulation | PTFE | |
| Body | Brass | Nickel 100 µin minimum |

Click the following link (or enter part number in "SEARCH" on website) to obtain additional part information including price, inventory and certifications: [UHF Female Bulkhead Mount Connector Solder Attachment Solder Cup Terminal, .575 inch D Hole, Front Mount PE44059](#)



PE44059 CAD Drawing

UHF Female Bulkhead Mount Connector Solder Attachment
Solder Cup Terminal, .575 inch D Hole, Front Mount



DWG TITLE

PE44059

FSCM NO. 53919

NOTES:
1. UNLESS OTHERWISE SPECIFIED ALL DIMENSIONS ARE NOMINAL.
2. ALL SPECIFICATIONS ARE SUBJECT TO CHANGE WITHOUT NOTICE AT ANY TIME.
3. DIMENSIONS ARE IN INCHES [mm].
4. FITS MIL-C-17 AND EQUIVALENT CABLES.

CAD FILE 062402

SCALE N/A

SIZE A

127

PE PASTERNAK®

Pasternack Enterprises, Inc.
P.O. Box 16759 | Irvine | CA | 92623
Phone: (949) 261-1920 | Fax: (949) 261-7451
Website: www.pasternack.com | E-Mail: sales@pasternack.com