



## SMC Plug Bulkhead Mount Connector Solder Attachment Solder Cup Terminal, .177 inch D Hole

### RF Connectors Technical Data Sheet

PE4289

#### Configuration

- SMC Plug Connector
- MIL-STD-348A
- 50 Ohms
- Straight Body Geometry
- Solder Cup Interface Type
- Solder Attachment
- Bulkhead
- 1/4 inch Hex

#### Features

- Gold Plated Beryllium Copper Contact
- 30 µin minimum contact plating

#### Applications

- General Purpose Test
- Rack and Panel Mount Applications

#### Description

Pasternack's PE4289 SMC plug bulkhead mount connector solder attachment solder cup terminal, .177 inch D hole is part of our full line of RF components available for same-day shipping. This SMC bulkhead connector allows designers to create external connections on their product enclosures, and can be used in a variety of other rack mount and panel mount applications.

Our SMC plug bulkhead connector PE4289 datasheet specifications and drawing with dimensions are shown below in this PDF. Pasternack's broad catalog of RF, microwave and millimeter wave connectors allows designers to configure and customize their signal connections however they like. Whether the need is to provide an I/O for a board design, or simply create a custom cable assembly configuration, Pasternack has the right connector for the job. Pasternack can also expertly build your custom cable connector assemblies for you and ship same-day.

#### Mechanical Specifications

##### Size

Length	0.613 in [15.57 mm]
Width/Dia.	0.25 in [6.35 mm]
Weight	0.006 lbs [2.72 g]
Mating Torque	3 to 5 in-lbs [0.34 to 0.57 Nm]

Click the following link (or enter part number in "SEARCH" on website) to obtain additional part information including price, inventory and certifications: [SMC Plug Bulkhead Mount Connector Solder Attachment Solder Cup Terminal, .177 inch D Hole PE4289](#)



SMC Plug Bulkhead Mount Connector Solder  
 Attachment Solder Cup Terminal, .177 inch D Hole

RF Connectors Technical Data Sheet

PE4289

**Material Specifications**

Description	Material	Plating
Contact	Beryllium Copper	Gold 30 µin minimum
Insulation	PTFE	
Body	Brass	Nickel 100 µin minimum
Coupling Nut	Brass	Nickel 100 µin minimum

**Compliance Certifications** (see [product page](#) for current document)

**Plotted and Other Data**

Notes:

SMC Plug Bulkhead Mount Connector Solder Attachment Solder Cup Terminal, .177 inch D Hole from Pasternack Enterprises has same day shipment for domestic and International orders. Our RF, microwave and millimeter wave products maintain a 99% availability and are part of the broadest selection in the industry.

Click the following link (or enter part number in "SEARCH" on website) to obtain additional part information including price, inventory and certifications: [SMC Plug Bulkhead Mount Connector Solder Attachment Solder Cup Terminal, .177 inch D Hole PE4289](#)

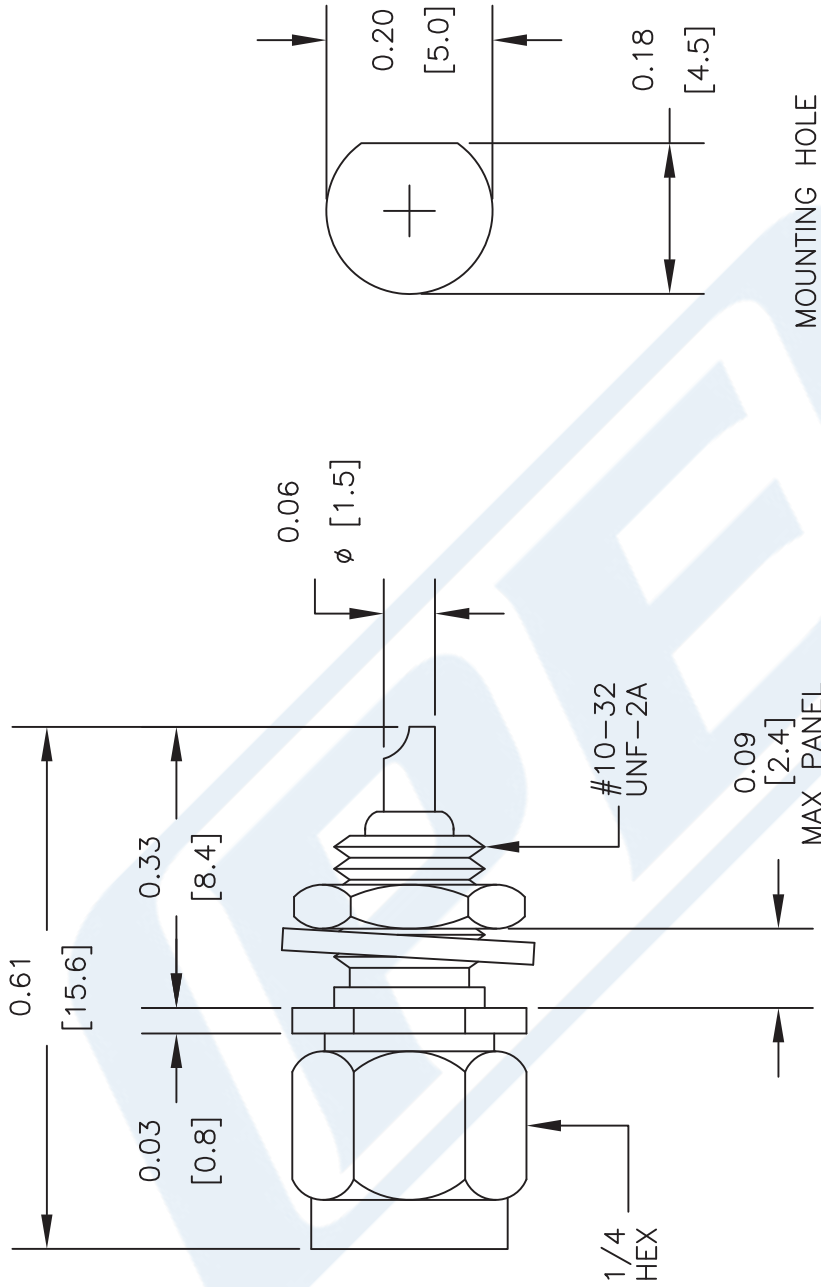
URL: <https://www.pasternack.com/smc-plug-standard-solder-cup-terminal-connector-pe4289-p.aspx>

The information contained in this document is accurate to the best of our knowledge and representative of the part described herein. It may be necessary to make modifications to the part and/or the documentation of the part, in order to implement improvements. Pasternack reserves the right to make such changes as required. Unless otherwise stated, all specifications are nominal. Pasternack does not make any representation or warranty regarding the suitability of the part described herein for any particular purpose, and Pasternack does not assume any liability arising out of the use of any part or documentation.



# PE4289 CAD Drawing

SMC Plug Bulkhead Mount Connector Solder Attachment  
Solder Cup Terminal, .177 inch D Hole



DWG TITLE

**PE4289**

NOTES:  
1. UNLESS OTHERWISE SPECIFIED ALL DIMENSIONS ARE NOMINAL.  
2. ALL SPECIFICATIONS ARE SUBJECT TO CHANGE WITHOUT NOTICE AT ANY TIME.  
3. DIMENSIONS ARE IN INCHES [mm].  
4. FITS MIL-C-17 AND EQUIVALENT CABLES.

REV. - FSCM NO. 53919 CAD FILE 042409 SCALE N/A SIZE A 2233

**PASTERNAK®**  
Pasternack Enterprises, Inc.  
P.O. Box 16759 | Irvine | CA | 92623

Phone: (949) 261-1920 | Fax: (949) 261-7451

Website: [www.pasternack.com](http://www.pasternack.com) | E-Mail: [sales@pasternack.com](mailto:sales@pasternack.com)