



SMA Male Connector Solder Attachment 4 Hole Flange  
 Solder Cup Terminal, .340 inch Hole Spacing

TECHNICAL DATA SHEET

PE4124

**SMA Male Connector Solder Attachment 4 Hole Flange Solder Cup Terminal, .340 inch Hole Spacing**

**Configuration**

Connector	SMA Male
Connector Specification	MIL-STD-348
Connector Interface Type	Solder Cup
Cable Attachment Method (Shield/Contact)	Solder
Body Style	Straight
Mount Method	4 Hole Flange

**Electrical Specifications**

Frequency Range, GHz	DC to 18
Impedance, Ohms	50
Maximum VSWR	1.25:1

**Mechanical Specifications**

**Size**

Length, in [mm]	0.71 [18.03]
Width/Dia., in [mm]	0.5 [13]
Height, in [mm]	0.5 [12.7]
Weight, lbs [g]	0.013 [5.9]

**Connector**

Type	SMA Male
Contact Material and Plating	Beryllium Copper, Gold
Contact Plating Specification	MIL-G-45204, Type II, Class 2
Coupling Nut Material and Plating	Stainless Steel, Gold
Coupling Nut Plating Specification	MIL-G-45204
Hex Size, in.	5/16
Torque, in-lbs [Nm]	8 [0.9]
Body Material and Plating	Stainless Steel, Gold
Body Plating Specification	MIL-G-45204
Dielectric Type	Teflon

**Compliance Certifications** (visit [www.Pasternack.com](http://www.Pasternack.com) for current document)

RoHS Compliant	Yes
----------------	-----

**Plotted and Other Data**

Notes:	Values at 25 °C, sea level
--------	----------------------------

Click the following link (or enter part number in "SEARCH" on website) to obtain additional part information including price, inventory and certifications: [SMA Male Connector Solder Attachment 4 Hole Flange Solder Cup Terminal, .340 inch Hole Spacing PE4124](#)

The information contained in this document is accurate to the best of our knowledge and representative of the part described herein. It may be necessary to make modifications to the part and/or the documentation of the part, in order to implement improvements. Pasternack reserves the right to make such changes as required. Unless otherwise stated, all specifications are nominal.





SMA Male Connector Solder Attachment 4 Hole Flange  
Solder Cup Terminal, .340 inch Hole Spacing

TECHNICAL DATA SHEET

PE4124

SMA Male Connector Solder Attachment 4 Hole Flange Solder Cup Terminal, .340 inch Hole Spacing from Pasternack Enterprises has same day shipment for domestic and International orders. Our RF, microwave and fiber optic products maintain a 99% availability and are part of the broadest selection in the industry.

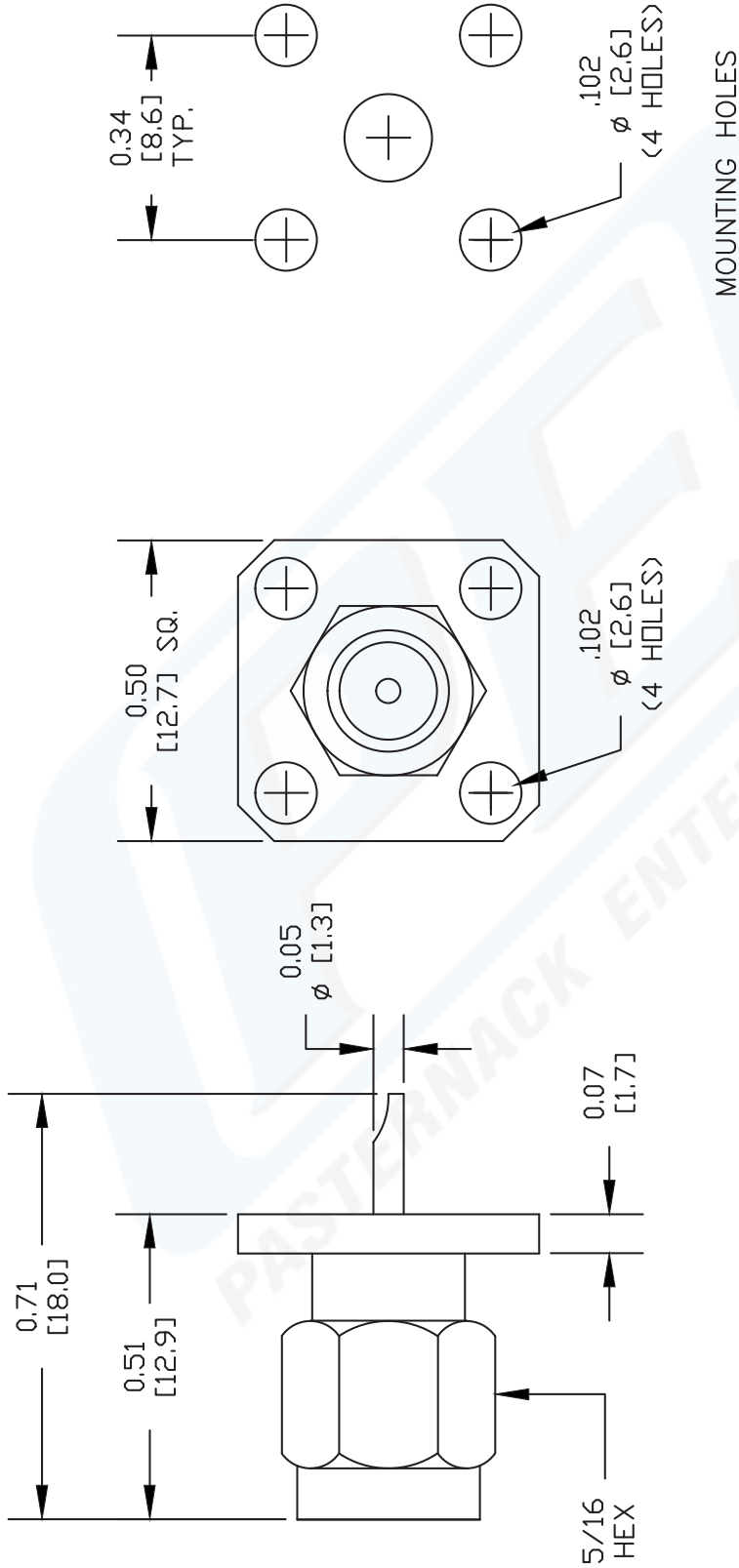
Click the following link (or enter part number in "SEARCH" on website) to obtain additional part information including price, inventory and certifications: [SMA Male Connector Solder Attachment 4 Hole Flange Solder Cup Terminal, .340 inch Hole Spacing PE4124](http://www.pasternack.com/sma-male-standard-solder-cup-terminal-connector-pe4124-p.aspx)

URL: <http://www.pasternack.com/sma-male-standard-solder-cup-terminal-connector-pe4124-p.aspx>

The information contained in this document is accurate to the best of our knowledge and representative of the part described herein. It may be necessary to make modifications to the part and/or the documentation of the part, in order to implement improvements. Pasternack reserves the right to make such changes as required. Unless otherwise stated, all specifications are nominal.

# PE4124 CAD Drawing

SMA Male Connector Solder Attachment 4 Hole Flange  
Solder Cup Terminal, .340 inch Hole Spacing



DWG TITLE

**PE4124**

NOTES:  
1. UNLESS OTHERWISE SPECIFIED ALL DIMENSIONS ARE NOMINAL.  
2. ALL SPECIFICATIONS ARE SUBJECT TO CHANGE WITHOUT NOTICE AT ANY TIME.  
3. DIMENSIONS ARE IN INCHES [mm].  
4. FITS MIL-C-17 AND EQUIVALENT CABLES.

REV. A

FSCM NO. 53919

CAD FILE 083111

SCALE N/A

SIZE A

2231

**PE PASTERNAK**  
Pasternack Enterprises, Inc.  
P.O. Box 16759 | Irvine | CA | 92623  
Phone: (949) 261-1920 | Fax: (949) 261-7451  
Website: www.pasternack.com | E-Mail: sales@pasternack.com