



SMC Plug Connector Crimp/Solder Attachment For RG174, RG316, RG188

TECHNICAL DATA SHEET

PE4045

SMC Plug Connector Crimp/Solder Attachment For RG174, RG316, RG188

Configuration

| | |
|--|---------------------|
| Connector | SMC Plug |
| Connector Specification | MIL-STD-348A |
| Connector Interface Type | RG174, RG316, RG188 |
| Cable Attachment Method (Shield/Contact) | Crimp/Solder |
| Body Style | Straight |

Electrical Specifications

| | |
|---------------------------------------|----------|
| Frequency Range, GHz | DC to 10 |
| Impedance, Ohms | 50 |
| Maximum Operating Voltage, Volts | 335 |
| Dielectric Withstanding Voltage, Vrms | 1,000 |

Frequency 1

| | |
|----------------|---------|
| Frequency, GHz | DC to 3 |
| VSWR | 1.3:1 |

Mechanical Specifications

Temperature

| | |
|------------------------|-------------|
| Operating Range, deg C | -65 to +165 |
|------------------------|-------------|

Size

| | |
|---------------------|--------------|
| Length, in [mm] | 0.78 [19.81] |
| Width/Dia., in [mm] | 0.25 [6.35] |
| Weight, lbs [g] | 0.005 [2.27] |

Connector

| | |
|-------------------------------|------------------------|
| Type | SMC Plug |
| Contact Material and Plating | Beryllium Copper, Gold |
| Contact Plating Specification | 30µ in. minimum |
| Hex Size, in | 1/4 |
| Body Material and Plating | Brass, Nickel |
| Body Plating Specification | 100µ in. minimum |
| Dielectric Type | Teflon |

Compliance Certifications (visit www.Pasternack.com for current document)

| | |
|----------------|-----|
| RoHS Compliant | Yes |
|----------------|-----|

Click the following link (or enter part number in "SEARCH" on website) to obtain additional part information including price, inventory and certifications: [SMC Plug Connector Crimp/Solder Attachment For RG174, RG316, RG188 PE4045](#)

The information contained in this document is accurate to the best of our knowledge and representative of the part described herein. It may be necessary to make modifications to the part and/or the documentation of the part, in order to implement improvements. Pasternack reserves the right to make such changes as required. Unless otherwise stated, all specifications are nominal.





SMC Plug Connector Crimp/Solder Attachment
For RG174, RG316, RG188

TECHNICAL DATA SHEET

PE4045

Plotted and Other Data

Notes:

Values at 25 °C, sea level

SMC Plug Connector Crimp/Solder Attachment For RG174, RG316, RG188 from Pasternack Enterprises has same day shipment for domestic and International orders. Our RF, microwave and fiber optic products maintain a 99% availability and are part of the broadest selection in the industry.

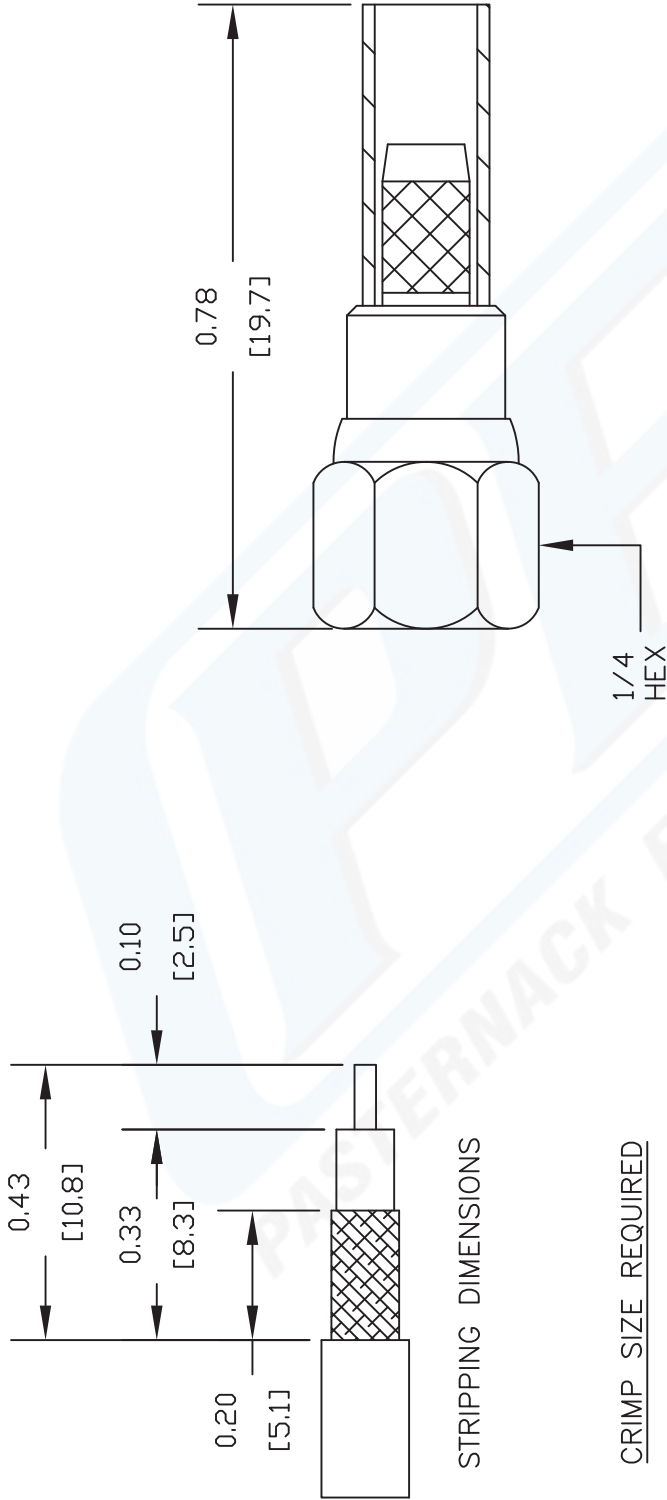
Click the following link (or enter part number in "SEARCH" on website) to obtain additional part information including price, inventory and certifications: [SMC Plug Connector Crimp/Solder Attachment For RG174, RG316, RG188 PE4045](#)

URL: <http://www.pasternack.com/smc-plug-standard-rg174-rg316-rg188-connector-pe4045-p.aspx>

The information contained in this document is accurate to the best of our knowledge and representative of the part described herein. It may be necessary to make modifications to the part and/or the documentation of the part, in order to implement improvements. Pasternack reserves the right to make such changes as required. Unless otherwise stated, all specifications are nominal.

PE4045 CAD Drawing

SMC Plug Connector Crimp/Solder Attachment For RG174, RG316, RG188



DWG TITLE

PE4045

- NOTES:
1. UNLESS OTHERWISE SPECIFIED ALL DIMENSIONS ARE NOMINAL.
 2. ALL SPECIFICATIONS ARE SUBJECT TO CHANGE WITHOUT NOTICE AT ANY TIME.
 3. DIMENSIONS ARE IN INCHES [mm].
 4. FITS MIL-C-17 AND EQUIVALENT CABLES.

REV. -

FSCM NO. 53919

CAD FILE 071505

SCALE N/A

SIZE A

127



PASTERNAK[®]
 Pasternack Enterprises, Inc.
 P.O. Box 16759 | Irvine | CA | 92623
Phone: (949) 261-1920 | **Fax:** (949) 261-7451
Website: www.pasternack.com | **E-Mail:** sales@pasternack.com