



SMA Male Right Angle Connector Solder Attachment For RG316, RG174, RG188

TECHNICAL DATA SHEET

PE4038

SMA Male Right Angle Connector Solder Attachment For RG316, RG174, RG188

Configuration

Connector	SMA Male
Connector Specification	MIL-STD-348A
Connector Interface Type	RG316, RG174, RG188
Cable Attachment Method (Shield/Contact)	Solder/Solder
Body Style	Right Angle

Electrical Specifications

Impedance, Ohms	50
Maximum VSWR	1.4:1
Maximum Operating Voltage, Volts	335

Mechanical Specifications

Temperature

Operating Range, deg C	-45 to +85
------------------------	------------

Size

Length, in [mm]	0.61 [15.49]
Width/Dia., in [mm]	0.312 [7.92]
Height, in [mm]	0.712 [18.08]
Weight, lbs [g]	0.013 [5.9]

Connector

Type	SMA Male
Contact Material and Plating	Brass, Nickel
Contact Plating Specification	50µ in. minimum
Coupling Nut Material and Plating	Brass, Nickel
Coupling Nut Plating Specification	100µ in. minimum
Hex Size,	5/16
Body Material and Plating	Brass, Nickel
Body Plating Specification	100µ in. minimum
Dielectric Type	Teflon

Compliance Certifications (visit www.Pasternack.com for current document)

RoHS Compliant	Yes
----------------	-----

Click the following link (or enter part number in "SEARCH" on website) to obtain additional part information including price, inventory and certifications: [SMA Male Right Angle Connector Solder Attachment For RG316, RG174, RG188 PE4038](#)

The information contained in this document is accurate to the best of our knowledge and representative of the part described herein. It may be necessary to make modifications to the part and/or the documentation of the part, in order to implement improvements. Pasternack reserves the right to make such changes as required. Unless otherwise stated, all specifications are nominal.



SMA Male Right Angle Connector Solder Attachment For RG316, RG174, RG188

TECHNICAL DATA SHEET

PE4038

Plotted and Other Data

Notes:

Values at 25 °C, sea level

SMA Male Right Angle Connector Solder Attachment For RG316, RG174, RG188 from Pasternack Enterprises has same day shipment for domestic and International orders. Our RF, microwave and fiber optic products maintain a 99% availability and are part of the broadest selection in the industry.

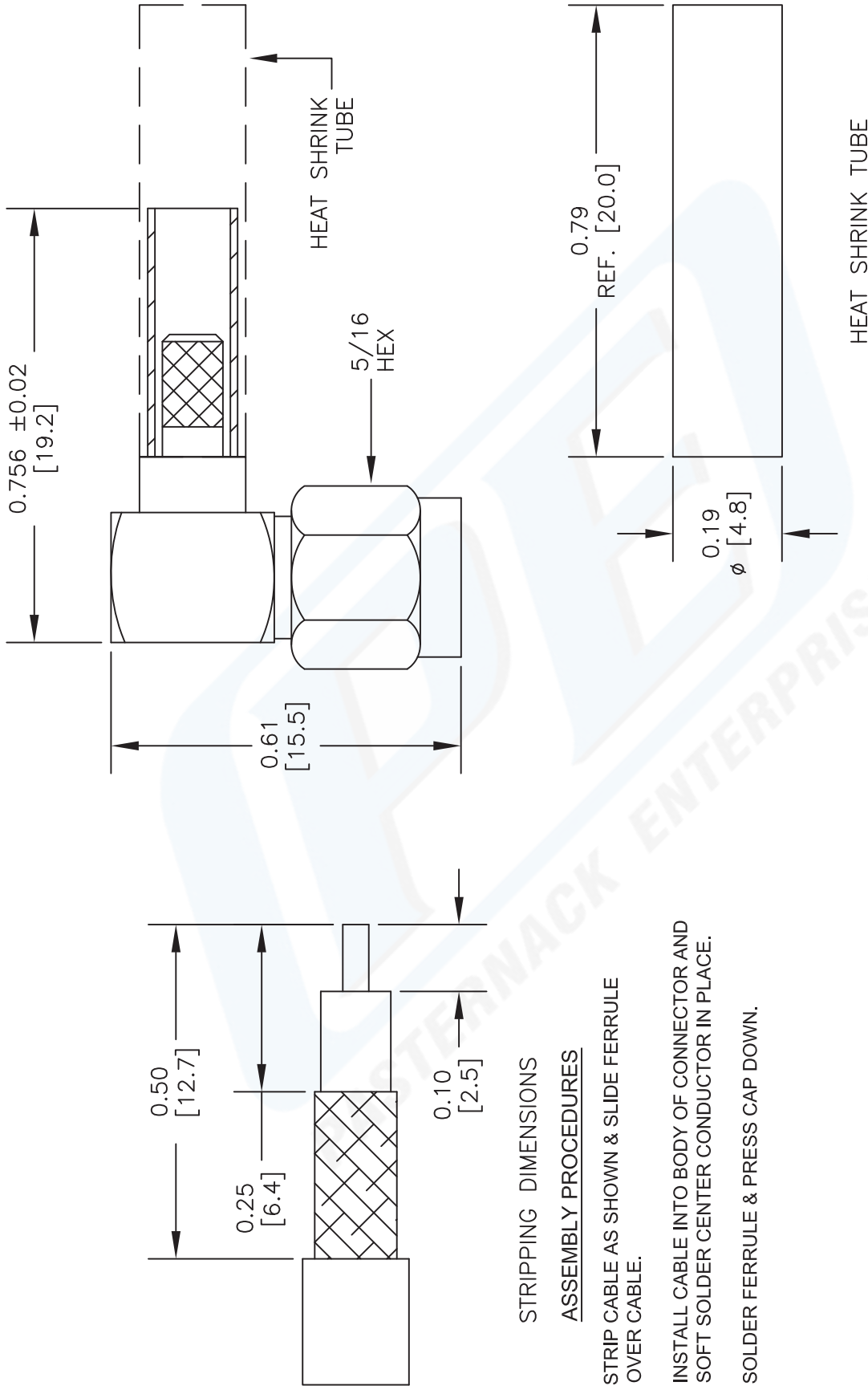
Click the following link (or enter part number in "SEARCH" on website) to obtain additional part information including price, inventory and certifications: [SMA Male Right Angle Connector Solder Attachment For RG316, RG174, RG188 PE4038](http://www.pasternack.com/sma-male-standard-rg316-rg174-rg188-connector-pe4038-p.aspx)

URL: <http://www.pasternack.com/sma-male-standard-rg316-rg174-rg188-connector-pe4038-p.aspx>

The information contained in this document is accurate to the best of our knowledge and representative of the part described herein. It may be necessary to make modifications to the part and/or the documentation of the part, in order to implement improvements. Pasternack reserves the right to make such changes as required. Unless otherwise stated, all specifications are nominal.

PE4038 CAD Drawing

SMA Male Right Angle Connector Solder Attachment For RG316, RG174, RG188



DWG TITLE

PE4038

- NOTES:
1. UNLESS OTHERWISE SPECIFIED ALL DIMENSIONS ARE NOMINAL.
 2. ALL SPECIFICATIONS ARE SUBJECT TO CHANGE WITHOUT NOTICE AT ANY TIME.
 3. DIMENSIONS ARE IN INCHES [mm].
 4. FITS MIL-C-17 AND EQUIVALENT CABLES.

FSCM NO. 53919

CAD FILE 081313

SCALE N/A

SIZE A

2233



Pasternack Enterprises, Inc.
 P.O. Box 16759 | Irvine | CA | 92623
 Phone: (949) 261-1920 | Fax: (949) 261-7451
 Website: www.pasternack.com | E-Mail: sales@pasternack.com