



## UHF Sexless Connector Accessories Attachment For RG58

**TECHNICAL DATA SHEET**
**PE4022**
**UHF Sexless Connector Accessories Attachment For RG58**
**Configuration**

|                                          |             |
|------------------------------------------|-------------|
| Connector                                | UHF Sexless |
| Connector Interface Type                 | RG58        |
| Cable Attachment Method (Shield/Contact) | Accessories |
| Body Style                               | Straight    |

**Electrical Specifications**

|                 |    |
|-----------------|----|
| Impedance, Ohms | 50 |
|-----------------|----|

**Mechanical Specifications**
**Size**

|                     |               |
|---------------------|---------------|
| Length, in [mm]     | 0.99 [25.15]  |
| Width/Dia., in [mm] | 0.433 [11]    |
| Weight, lbs [g]     | 0.027 [12.25] |

**Connector**

|                           |               |
|---------------------------|---------------|
| Type                      | UHF Sexless   |
| Body Material and Plating | Brass, Nickel |

**Compliance Certifications** (visit [www.Pasternack.com](http://www.Pasternack.com) for current document)

|                |     |
|----------------|-----|
| RoHS Compliant | Yes |
|----------------|-----|

**Plotted and Other Data**

Notes: Values at 25 °C, sea level

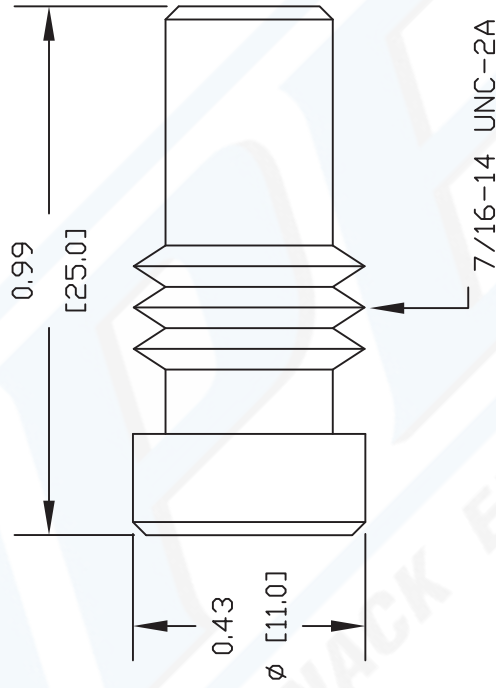
URL: <http://www.pasternack.com/uhf-sexless-standard-rg58-connector-pe4022-p.aspx>

UHF Sexless Connector Accessories Attachment For RG58 from Pasternack Enterprises has same day shipment for domestic and International orders. We maintain 99% availability of the industry's broadest selection of RF, microwave and fiber optic products.

The information contained in this document is accurate to the best of our knowledge and representative of the part described herein. It may be necessary to make modifications to the part and/or the documentation of the part, in order to implement improvements. Pasternack reserves the right to make such changes as required. Unless otherwise stated, all specifications are nominal.

# PE4022 CAD Drawing

## UHF Sexless Connector Accessories Attachment For RG58



DWG TITLE

**PE4022**

NOTES:  
 1. UNLESS OTHERWISE SPECIFIED ALL DIMENSIONS ARE NOMINAL.  
 2. ALL SPECIFICATIONS ARE SUBJECT TO CHANGE WITHOUT NOTICE AT ANY TIME.  
 3. DIMENSIONS ARE IN INCHES [mm].  
 4. FITS MIL-C-17 AND EQUIVALENT CABLES.

REV. -

FSCM NO. 53919

CAD FILE 042209

SCALE N/A

SIZE A

147



**PASTERNAK®**  
 Pasternack Enterprises, Inc.  
 P.O. Box 16759 | Irvine | CA | 92623

Phone: (949) 261-1920 | Fax: (949) 261-7451

Website: [www.pasternack.com](http://www.pasternack.com) | E-Mail: [sales@pasternack.com](mailto:sales@pasternack.com)