



Snap-On MMBX Plug to SSMB Jack Bulkhead  
Cable 60 Inch Length Using RG316 Coax

RF Cable Assemblies Technical Data Sheet

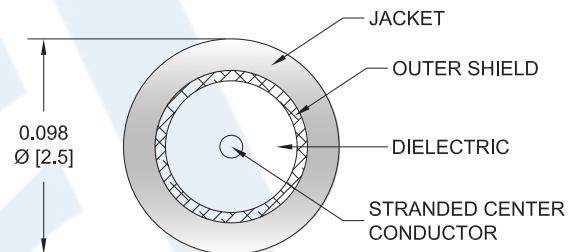
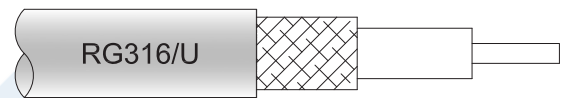
PE3W07532-60

**Configuration**

- Connector 1: Snap-OnMMBX Plug
- Connector 2: SSMB Jack Bulkhead
- Cable Type: RG316

**Features**

- Max Frequency 3 GHz
- 69% Phase Velocity
- FEP Jacket



**Applications**

- General Purpose
- Laboratory Use

**Description**

Pasternack's PE3W07532-60 MMBX plug snap-on to SSMB jack bulkhead 60 inch cable using RG316 coax is part of our full line of RF components available for same-day shipping. Pasternack's flexible RF cable assemblies are ideal for applications where tight bends and flexure are required. This Pasternack MMBX to SSMB cable assembly has a plug to jack gender configuration with 50 ohm flexible RG316 coax. The PE3W07532-60 MMBX plug to SSMB jack cable assembly operates to 3 GHz. Our RF cable assembly with SSMB bulkhead interface allows designers to create external connections on their product enclosures, and can be used in a variety of other rack mount and panel mount applications.

Custom versions of most RF cable assemblies can be built and shipped same day. Custom cable assembly lengths can be obtained by specifying the desired length on the web site at time of order or by contacting a sales representative. Other available RF cable assembly value added services include connector orientation or clocking, heat shrink booting and custom labeling. RF testing can also be performed to document the electrical performance of your cable assembly.

**Electrical Specifications**

Description	Minimum	Typical	Maximum	Units
Frequency Range	DC		3	GHz
VSWR			1.5:1	
Velocity of Propagation		69		%
Capacitance		29.4 [96.46]		pF/ft [pF/m]
Jacket Spark			2,000	Vrms

Click the following link (or enter part number in "SEARCH" on website) to obtain additional part information including price, inventory and certifications: [Snap-On MMBX Plug to SSMB Jack Bulkhead Cable 60 Inch Length Using RG316 Coax PE3W07532-60](#)



Snap-On MMBX Plug to SSMB Jack Bulkhead  
Cable 60 Inch Length Using RG316 Coax

RF Cable Assemblies Technical Data Sheet

PE3W07532-60

**Specifications by Frequency**

Description	F1	F2	F3	F4	F5	Units
Frequency	0.25	0.5	1	2.5	3	GHz
Insertion Loss (Max.)	1	1.4	2.1	2.85	3.1	dB

**Electrical Specification Notes:**

The Insertion Loss data above is based on the performance specifications of the coax use in this assembly. The Insertion Loss includes an estimated insertion loss of 0.2dB of connector Loss

**Mechanical Specifications**

**Cable Assembly**

Length\* 60 in [152.4 cm]  
Diameter 0.188 in [4.78 mm]

**Cable**

Cable Type RG316  
Impedance 50 Ohms  
Inner Conductor Type Stranded  
Inner Conductor Material and Plating Copper Clad Steel, Silver  
Dielectric Type PTFE  
Number of Shields 1  
Shield Layer 1 Silver Plated Copper Braid  
Jacket Material FEP, Tan  
Jacket Diameter 0.102 in [2.59 mm]

Click the following link (or enter part number in "SEARCH" on website) to obtain additional part information including price, inventory and certifications: [Snap-On MMBX Plug to SSMB Jack Bulkhead Cable 60 Inch Length Using RG316 Coax PE3W07532-60](#)



Snap-On MMBX Plug to SSMB Jack Bulkhead  
Cable 60 Inch Length Using RG316 Coax

RF Cable Assemblies Technical Data Sheet

PE3W07532-60

**Connectors**

Description	Connector 1	Connector 2
Type	MMBX Plug	SSMB Jack Bulkhead
Specification		MIL-STD-348
Impedance	50 Ohms	50 Ohms
Connection Method	Snap-On	
Mating Cycles	100	
Contact Material and Plating	Beryllium Copper, Gold	Gold
Contact Plating Specification		MIL-G-45204
Dielectric Type	PTFE	PTFE
Outer Conductor Material and Plating	Brass, Gold	
Body Material and Plating	Brass, Gold	Brass, Gold
Body Plating Specification		MIL-G-45204

Mechanical Specification Notes:

\*All cable assemblies have a length tolerance of 1.5% or  $\pm 3/8$ ", whichever is greater.

**Compliance Certifications** (see [product page](#) for current document)

**Plotted and Other Data**

Notes:

Click the following link (or enter part number in "SEARCH" on website) to obtain additional part information including price, inventory and certifications: [Snap-On MMBX Plug to SSMB Jack Bulkhead Cable 60 Inch Length Using RG316 Coax PE3W07532-60](#)



## Snap-On MMBX Plug to SSMB Jack Bulkhead Cable 60 Inch Length Using RG316 Coax

### RF Cable Assemblies Technical Data Sheet

PE3W07532-60

#### How to Order

Part Number Configuration:

**PE3W07532**

- **xx**

**uu**

Unit of Measure:  
cm = Centimeters  
<blank> = Inches  
Length  
Base Number

Example: PE3W07532-12 = 12 inches long cable  
PE3W07532-100cm = 100 cm long cable

Snap-On MMBX Plug to SSMB Jack Bulkhead Cable 60 Inch Length Using RG316 Coax from Pasternack Enterprises has same day shipment for domestic and International orders. Our RF, microwave and millimeter wave products maintain a 99.4% availability and are part of the broadest selection in the industry.

Click the following link (or enter part number in "SEARCH" on website) to obtain additional part information including price, inventory and certifications: [Snap-On MMBX Plug to SSMB Jack Bulkhead Cable 60 Inch Length Using RG316 Coax PE3W07532-60](https://www.pasternack.com/mmbx-plug-ssmb-jack-rg316u-cable-assembly-pe3w07532-60-p.aspx)

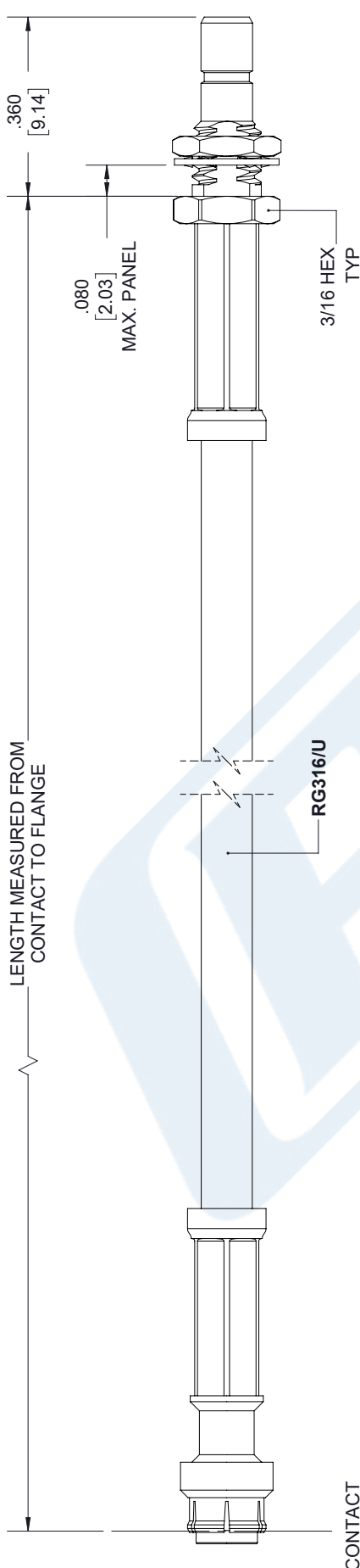
URL: <https://www.pasternack.com/mmbx-plug-ssmb-jack-rg316u-cable-assembly-pe3w07532-60-p.aspx>

The information contained in this document is accurate to the best of our knowledge and representative of the part described herein. It may be necessary to make modifications to the part and/or the documentation of the part, in order to implement improvements. Pasternack reserves the right to make such changes as required. Unless otherwise stated, all specifications are nominal. Pasternack does not make any representation or warranty regarding the suitability of the part described herein for any particular purpose, and Pasternack does not assume any liability arising out of the use of any part or documentation.

# PE3W07532-60 CAD Drawing

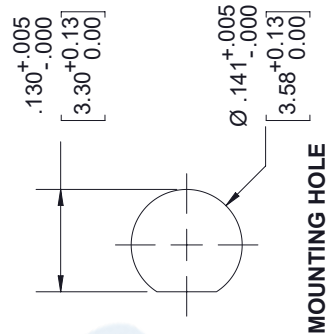
Snap-On MMBX Plug to SSMB Jack Bulkhead Cable 60 Inch Length Using RG316 Coax

REVISIONS		
REV.	DESCRIPTION	DATE
A	INITIAL RELEASE	04/23/19
		APPROVED
		S. ELLIS



SSMB JACK  
BULKHEAD

MMBX SNAP ON  
PLUG



MOUNTING HOLE

UNLESS OTHERWISE SPECIFIED LEADING DIMENSIONS ARE INCHES DIMENSIONS IN [ ] ARE MILLIMETERS	
TOLERANCES:	FRACTIONS
X±.2 [5.08]	±.132
.XX±.01 [.25]	±.132
.XXX±.005 [0.13]	ANGLES ± 1°
ALL DIMENSIONS SHOWN ARE FOR REFERENCE ONLY.	
THIRD-ANGLE PROJECTION	

<p><b>PASTERNAK</b> an INFINITO brand</p> <p>Pasternack Enterprises, Inc. P.O. Box 16759, Irvine, CA 92623. Phone: 1.949.261.1920   1.866.727.8376 Fax: 1.949.261.7451 www.pasternack.com   e-mail: sales@pasternack.com</p>		THE INFORMATION AND DESIGN IN THIS DOCUMENT IS THE PROPERTY OF PASTERNAK CORPORATION. ALL RIGHTS RESERVED.	
SHEET	1	OF	1
SCALE	N/A		
SIZE	CAGE	DRAWN BY	PART NUMBER
A	53919	K.DANG	PE3W07532
			REV
			A

THESE COMMODITIES, TECHNOLOGY OR SOFTWARE WERE EXPORTED FROM THE UNITED STATES IN ACCORDANCE WITH THE EXPORT ADMINISTRATION REGULATIONS. DIVERSION CONTRARY TO U.S. LAW PROHIBITED.