



## QMA Male Right Angle to SMA Male Cable 48 Inch Length Using LMR-195 Coax

### RF Cable Assemblies Technical Data Sheet

PE3W06662-48

#### Configuration

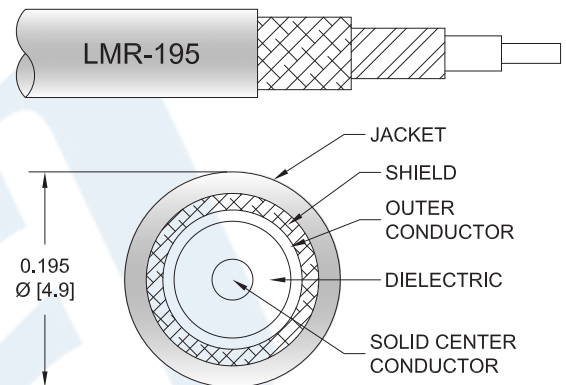
- Connector 1: QMA Male Right Angle
- Connector 2: SMA Male
- Cable Type: LMR-195

#### Features

- Max Frequency 4 GHz
- Shielding Effectivity > 90 dB
- 80% Phase Velocity
- Double Shielded
- PE Jacket

#### Applications

- General Purpose
- Laboratory Use



#### Description

Pasternack's PE3W06662-48 QMA male right angle to SMA male 48 inch cable using LMR-195 coax is part of our full line of RF components available for same-day shipping. Pasternack's flexible RF cable assemblies are ideal for applications where tight bends and flexure are required. This Pasternack QMA to SMA cable assembly has a male to male gender configuration with 50 ohm flexible LMR-195 coax. The PE3W06662-48 QMA male to SMA male cable assembly operates to 4 GHz. The right angle QMA interface on the LMR-195 cable allows for easier connections in tight spaces. The double shielding of this Pasternack cable assembly provides excellent shielding effectiveness of better than 90 dB.

Custom versions of most RF cable assemblies can be built and shipped same day. Custom cable assembly lengths can be obtained by specifying the desired length on the web site at time of order or by contacting a sales representative. Other available RF cable assembly value added services include connector orientation or clocking, heat shrink booting and custom labeling. RF testing can also be performed to document the electrical performance of your cable assembly.

Click the following link (or enter part number in "SEARCH" on website) to obtain additional part information including price, inventory and certifications: [QMA Male Right Angle to SMA Male Cable 48 Inch Length Using LMR-195 Coax PE3W06662-48](#)



QMA Male Right Angle to SMA Male Cable  
48 Inch Length Using LMR-195 Coax

RF Cable Assemblies Technical Data Sheet

PE3W06662-48

**Electrical Specifications**

Description	Minimum	Typical	Maximum	Units
Frequency Range	DC		4	GHz
VSWR			1.5:1	
Velocity of Propagation		80		%
RF Shielding	90			dB
Group Delay		1.27 [4.17]		ns/ft [ns/m]
Capacitance		25.4 [83.33]		pF/ft [pF/m]
Inductance		0.064 [0.21]		uH/ft [uH/m]
DC Resistance Inner Conductor Km]		7.6 [24.93]		Ohms/1000ft [Ohms/ Km]
DC Resistance Outer Conductor Km]		4.9 [16.08]		Ohms/1000ft [Ohms/ Km]
Jacket Spark			3,000	Vrms

**Specifications by Frequency**

Description	F1	F2	F3	F4	F5	Units
Frequency	0.25	0.5	1	2.5	4	GHz
Insertion Loss (Max.)	0.53	0.63	0.77	1.06	1.26	dB

Electrical Specification Notes:

The Insertion Loss data above is based on the performance specifications of the coax used in this assembly. The Insertion Loss includes an estimated insertion loss of 0.3dB of connector loss.

**Mechanical Specifications**

**Cable Assembly**

Length\* 48 in [121.92 cm]  
Diameter 0.41 in [10.41 mm]

**Cable**

Cable Type LMR-195  
Impedance 50 Ohms  
Inner Conductor Type Solid  
Inner Conductor Material and Plating Copper  
Dielectric Type PE (F)  
Number of Shields 2  
Shield Layer 1 Aluminum Tape  
Shield Layer 2 Tinned Copper Braid

Click the following link (or enter part number in "SEARCH" on website) to obtain additional part information including price, inventory and certifications: [QMA Male Right Angle to SMA Male Cable 48 Inch Length Using LMR-195 Coax PE3W06662-48](#)



QMA Male Right Angle to SMA Male Cable  
48 Inch Length Using LMR-195 Coax

RF Cable Assemblies Technical Data Sheet

PE3W06662-48

Jacket Material	PE, Black
Jacket Diameter	0.195 in [4.95 mm]
One Time Minimum Bend Radius	0.5 in [12.7 mm]
Repeated Minimum Bend Radius	2 in [50.8 mm]
Bending Moment	0.2 lbs-ft [0.27 N-m]
Flat Plate Crush	15 lbs/in [0.27 Kg/mm]
Tensile Strength	40 lbs [18.14 Kg]

**Connectors**

Description	Connector 1	Connector 2
Type	QMA Male Right Angle	SMA Male
Impedance	50 Ohms	50 Ohms
Contact Material and Plating	Phosphor Bronze, Gold	Brass, Gold
Contact Plating Specification		ASTM B488
Dielectric Type	PTFE	Teflon
Outer Conductor Material and Plating	Phosphor Bronze, Tri-Metal	
Body Material and Plating	Brass, Tri-Metal	Passivated Stainless Steel
Coupling Nut Material and Plating		Passivated Stainless Steel
Hex Size		5/16 Inch

Mechanical Specification Notes:

\*All cable assemblies have a length tolerance of 1.5% or  $\pm 3/8$ ", whichever is greater.

**Compliance Certifications** (see [product page](#) for current document)

**Plotted and Other Data**

Notes:

Click the following link (or enter part number in "SEARCH" on website) to obtain additional part information including price, inventory and certifications: [QMA Male Right Angle to SMA Male Cable 48 Inch Length Using LMR-195 Coax PE3W06662-48](#)



**QMA Male Right Angle to SMA Male Cable  
48 Inch Length Using LMR-195 Coax**

**RF Cable Assemblies Technical Data Sheet**

**PE3W06662-48**

**How to Order**

Part Number Configuration:

**PE3W06662**

- **xx**

**uu**

Unit of Measure:  
cm = Centimeters  
<blank> = Inches  
Length  
Base Number

Example: PE3W06662-12 = 12 inches long cable  
PE3W06662-100cm = 100 cm long cable

QMA Male Right Angle to SMA Male Cable 48 Inch Length Using LMR-195 Coax from Pasternack Enterprises has same day shipment for domestic and International orders. Our RF, microwave and millimeter wave products maintain a 99.4% availability and are part of the broadest selection in the industry.

Click the following link (or enter part number in "SEARCH" on website) to obtain additional part information including price, inventory and certifications: [QMA Male Right Angle to SMA Male Cable 48 Inch Length Using LMR-195 Coax PE3W06662-48](https://www.pasternack.com/qma-male-sma-male-lmr195-cable-assembly-pe3w06662-48-p.aspx)

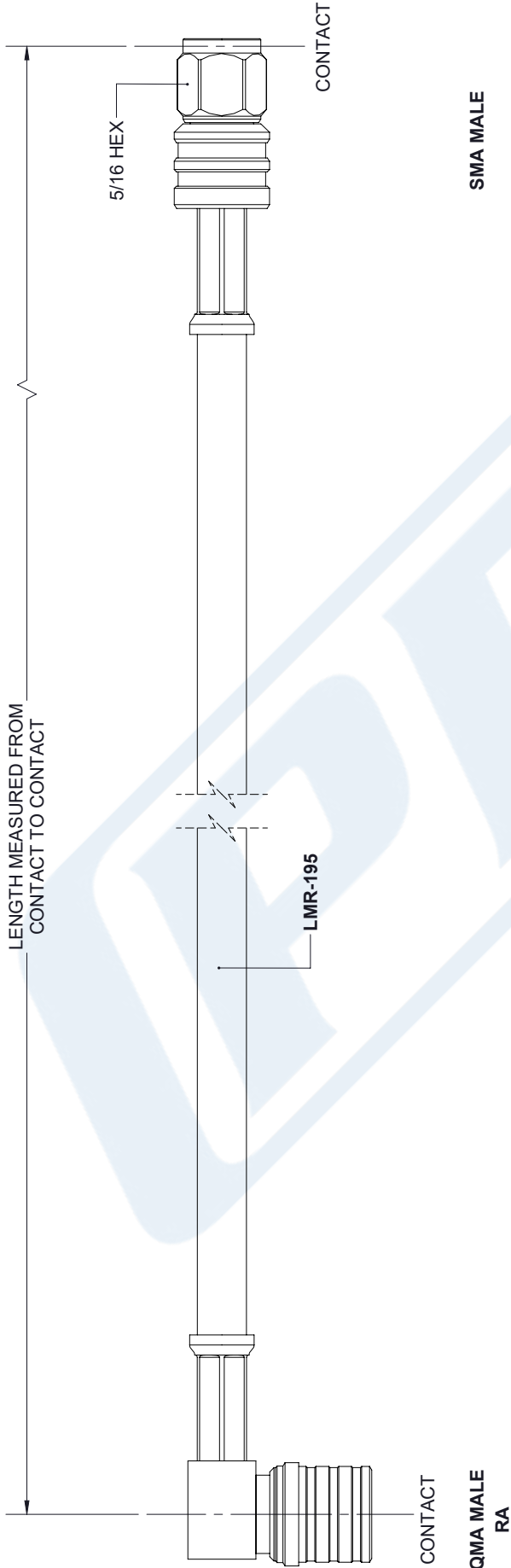
URL: <https://www.pasternack.com/qma-male-sma-male-lmr195-cable-assembly-pe3w06662-48-p.aspx>

The information contained in this document is accurate to the best of our knowledge and representative of the part described herein. It may be necessary to make modifications to the part and/or the documentation of the part, in order to implement improvements. Pasternack reserves the right to make such changes as required. Unless otherwise stated, all specifications are nominal. Pasternack does not make any representation or warranty regarding the suitability of the part described herein for any particular purpose, and Pasternack does not assume any liability arising out of the use of any part or documentation.

# PE3W06662-48 CAD Drawing

QMA Male Right Angle to SMA Male Cable 48 Inch Length Using LMR-195 Coax

REVISIONS			
REV.	DESCRIPTION	DATE	APPROVED
A	INITIAL RELEASE	04/23/19	S. ELLIS



<p>UNLESS OTHERWISE SPECIFIED LEADING DIMENSIONS ARE INCHES DIMENSIONS IN [ ] ARE MILLIMETERS</p> <p>TOLERANCES:  X±.2 [5.08] FRACTIONS  .XX±.01 [.25] ±.132  .XXX±.005 [.13] ANGLES ± 1°</p> <p>ALL DIMENSIONS SHOWN ARE FOR REFERENCE ONLY.</p> <p>THIRD-ANGLE PROJECTION</p>		<p>THE INFORMATION AND DESIGN IN THIS DOCUMENT IS THE PROPERTY OF PASTERNAK CORPORATION. ALL RIGHTS RESERVED.</p> <p>SHEET 1 OF 1</p> <p>SCALE N/A</p>	
<p><b>PE PASTERNAK</b> an INFINITO brand</p> <p>Pasternack Enterprises, Inc. P.O. Box 16759, Irvine, CA 92623. Phone: 1.949.261.1920   1.866.727.8376 Fax: 1.949.261.7451 www.pasternack.com   e-mail: sales@pasternack.com</p>		<p>THESE COMMODITIES, TECHNOLOGY OR SOFTWARE WERE EXPORTED FROM THE UNITED STATES IN ACCORDANCE WITH THE EXPORT ADMINISTRATION REGULATIONS. DIVERSION CONTRARY TO U.S. LAW PROHIBITED.</p>	
SIZE	CAGE	DRAWN BY	PART NUMBER
A	53919	K.DANG	PE3W06662
			REV
			A