



N Female Bulkhead to SMA Male Right Angle Cable 60 Inch Length Using PE-P195 Coax

RF Cable Assemblies Technical Data Sheet

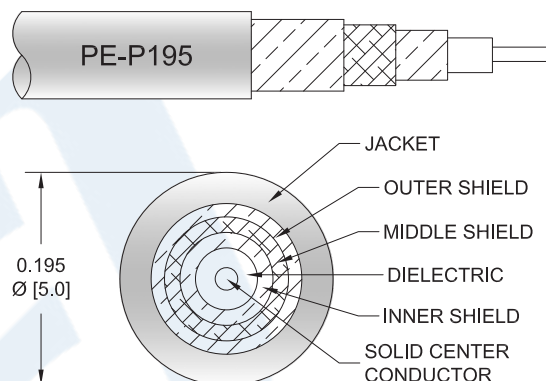
PE3W06405-60

Configuration

- Connector 1: N Female Bulkhead
- Connector 2: SMA Male Right Angle
- Cable Type: PE-P195

Features

- Max Frequency 4 GHz
- 70% Phase Velocity
- Triple Shielded
- FEP Jacket



Applications

- General Purpose
- Laboratory Use

Description

Pasternack's PE3W06405-60 type N female bulkhead to SMA male right angle 60 inch cable using PE-P195 coax is part of our full line of RF components available for same-day shipping. Pasternack's flexible RF cable assemblies are ideal for applications where tight bends and flexure are required. This Pasternack type N to SMA cable assembly has a female to male gender configuration with 50 ohm flexible PE-P195 coax. The PE3W06405-60 type N female to SMA male cable assembly operates to 4 GHz. The right angle SMA interface on the PE-P195 cable allows for easier connections in tight spaces. Our RF cable assembly with type N bulkhead interface allows designers to create external connections on their product enclosures, and can be used in a variety of other rack mount and panel mount applications. The triple shielding of this Pasternack cable assembly provides excellent shielding effectiveness.

Custom versions of most RF cable assemblies can be built and shipped same day. Custom cable assembly lengths can be obtained by specifying the desired length on the web site at time of order or by contacting a sales representative. Other available RF cable assembly value added services include connector orientation or clocking, heat shrink booting and custom labeling. RF testing can also be performed to document the electrical performance of your cable assembly.

Electrical Specifications

Description	Minimum	Typical	Maximum	Units
Frequency Range	DC		4	GHz
VSWR			1.5:1	
Velocity of Propagation		70		%
Capacitance		29 [95.14]		pF/ft [pF/m]

Click the following link (or enter part number in "SEARCH" on website) to obtain additional part information including price, inventory and certifications: [N Female Bulkhead to SMA Male Right Angle Cable 60 Inch Length Using PE-P195 Coax PE3W06405-60](#)



N Female Bulkhead to SMA Male Right Angle
Cable 60 Inch Length Using PE-P195 Coax

RF Cable Assemblies Technical Data Sheet

PE3W06405-60

Specifications by Frequency

Description	F1	F2	F3	F4	F5	Units
Frequency	0.25	0.5	1	2.5	4	GHz
Insertion Loss (Max.)	0.59	0.74	0.93	1.28	1.64	dB

Electrical Specification Notes:

The Insertion Loss data above is based on the performance specifications of the coax used in this assembly. The Insertion Loss includes an estimated insertion loss of 0.3dB of connector loss.

Mechanical Specifications

Cable Assembly

Length* 60 in [152.4 cm]

Cable

Cable Type PE-P195
 Impedance 50 Ohms
 Inner Conductor Type Solid
 Inner Conductor Material and Plating Copper Clad Steel, Silver
 Dielectric Type PTFE
 Number of Shields 3
 Shield Layer 1 Silver Plated Copper Braid
 Shield Layer 2 Aluminum Tape
 Shield Layer 3 Silver Plated Copper Braid
 Jacket Material FEP, Tan
 Jacket Diameter 0.195 in [4.95 mm]

Repeated Minimum Bend Radius 1 in [25.4 mm]

Click the following link (or enter part number in "SEARCH" on website) to obtain additional part information including price, inventory and certifications: [N Female Bulkhead to SMA Male Right Angle Cable 60 Inch Length Using PE-P195 Coax PE3W06405-60](#)



N Female Bulkhead to SMA Male Right Angle
Cable 60 Inch Length Using PE-P195 Coax

RF Cable Assemblies Technical Data Sheet

PE3W06405-60

Connectors

Description	Connector 1	Connector 2
Type	N Female Bulkhead	SMA Male Right Angle
Specification		MIL-STD-348A
Impedance	50 Ohms	50 Ohms
Contact Material and Plating		Brass, Gold
Contact Plating Specification		50 µin minimum
Dielectric Type		PTFE
Body Material and Plating	Brass, Nickel	Brass, Nickel
Body Plating Specification		100 µin minimum
Coupling Nut Material and Plating		Brass, Nickel
Coupling Nut Plating Specification		100 µin minimum
Hex Size		5/16 inch
Torque		3 in-lbs [0.34 Nm]

Mechanical Specification Notes:

*All cable assemblies have a length tolerance of 1.5% or ± 3/8", whichever is greater.

Compliance Certifications (see [product page](#) for current document)

Plotted and Other Data

Notes:

Click the following link (or enter part number in "SEARCH" on website) to obtain additional part information including price, inventory and certifications: [N Female Bulkhead to SMA Male Right Angle Cable 60 Inch Length Using PE-P195 Coax PE3W06405-60](#)



N Female Bulkhead to SMA Male Right Angle Cable 60 Inch Length Using PE-P195 Coax

RF Cable Assemblies Technical Data Sheet

PE3W06405-60

How to Order

Part Number Configuration:

PE3W06405

- **xx**

uu

Unit of Measure:
 cm = Centimeters
 <blank> = Inches
 Length
 Base Number

Example: PE3W06405-12 = 12 inches long cable
 PE3W06405-100cm = 100 cm long cable

N Female Bulkhead to SMA Male Right Angle Cable 60 Inch Length Using PE-P195 Coax from Pasternack Enterprises has same day shipment for domestic and International orders. Our RF, microwave and millimeter wave products maintain a 99.4% availability and are part of the broadest selection in the industry.

Click the following link (or enter part number in "SEARCH" on website) to obtain additional part information including price, inventory and certifications: [N Female Bulkhead to SMA Male Right Angle Cable 60 Inch Length Using PE-P195 Coax PE3W06405-60](#)

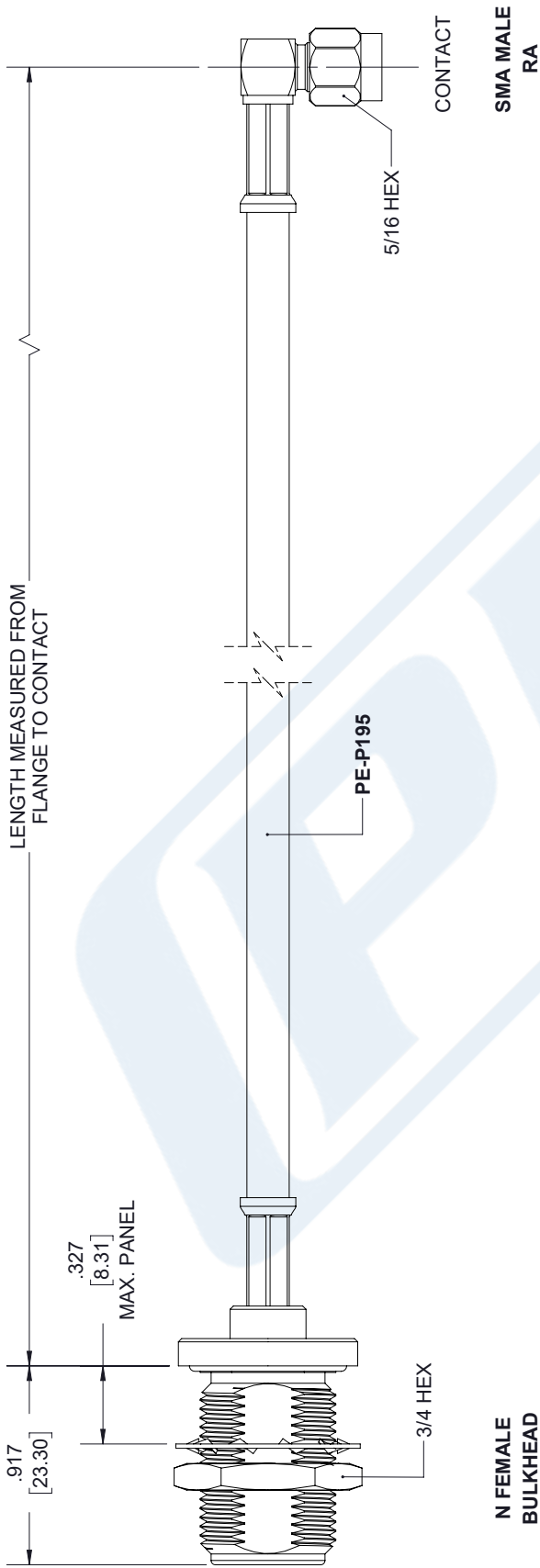
URL: <https://www.pasternack.com/n-female-sma-male-pe-p195-cable-assembly-pe3w06405-60-p.aspx>

The information contained in this document is accurate to the best of our knowledge and representative of the part described herein. It may be necessary to make modifications to the part and/or the documentation of the part, in order to implement improvements. Pasternack reserves the right to make such changes as required. Unless otherwise stated, all specifications are nominal. Pasternack does not make any representation or warranty regarding the suitability of the part described herein for any particular purpose, and Pasternack does not assume any liability arising out of the use of any part or documentation.

PE3W06405-60 CAD Drawing

N Female Bulkhead to SMA Male Right Angle Cable 60 Inch Length Using PE-P195 Coax

REVISIONS			
REV.	DESCRIPTION	DATE	APPROVED
A	INITIAL RELEASE	04/23/19	S. ELLIS



LENGTH MEASURED FROM FLANGE TO CONTACT

.917
[23.30]

.327
[8.31]
MAX. PANEL

.535^{+0.005}
-.000
[13.59^{+0.13}
0.00]

Ø .630^{+0.005}
-.000
[16.00^{+0.13}
0.00]

UNLESS OTHERWISE SPECIFIED LEADING DIMENSIONS ARE INCHES DIMENSIONS IN [] ARE MILLIMETERS	
TOLERANCES:	FRACTIONS
X±.2 [5.08]	±.132
.XX±.01 [.25]	ANGLES ± 1°
.XXX±.005 [.13]	
ALL DIMENSIONS SHOWN ARE FOR REFERENCE ONLY.	
THIRD-ANGLE PROJECTION	

PE PASTERNAK
an INFINITO brand

Pasternack Enterprises, Inc.
P.O. Box 16759, Irvine, CA 92623.
Phone: 1,949,261,1920 | 1,866,727,8376
Fax: 1,949,261,7451
www.pasternack.com | e-mail: sales@pasternack.com

THE INFORMATION AND DESIGN IN THIS DOCUMENT IS THE PROPERTY OF PASTERNAK CORPORATION. ALL RIGHTS RESERVED.

SHEET 1 OF 1
SCALE N/A

SIZE A CAGE 53919 DRAWN BY K.DANG PART NUMBER PE3W06405 REV A

THESE COMMODITIES, TECHNOLOGY OR SOFTWARE WERE EXPORTED FROM THE UNITED STATES IN ACCORDANCE WITH THE EXPORT ADMINISTRATION REGULATIONS. DIVERSION CONTRARY TO U.S. LAW PROHIBITED.