



N Female Bulkhead to SMA Male Right Angle
Cable 200 cm Length Using PE-P195 Coax

RF Cable Assemblies Technical Data Sheet

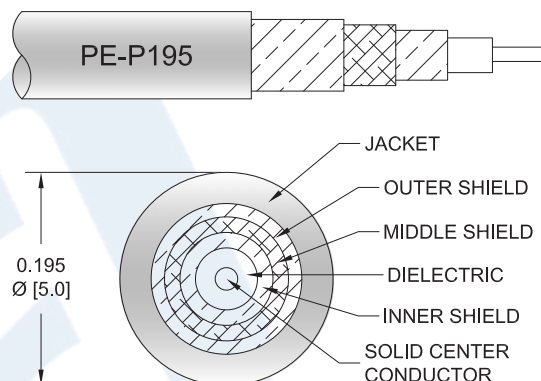
PE3W06405-200CM

Configuration

- Connector 1: N Female Bulkhead
- Connector 2: SMA Male Right Angle
- Cable Type: PE-P195

Features

- Max Frequency 4 GHz
- 70% Phase Velocity
- Triple Shielded
- FEP Jacket



Applications

- General Purpose
- Laboratory Use

Description

Pasternack's PE3W06405-200CM type N female bulkhead to SMA male right angle 200 cm cable using PE-P195 coax is part of our full line of RF components available for same-day shipping. Pasternack's flexible RF cable assemblies are ideal for applications where tight bends and flexure are required. This Pasternack type N to SMA cable assembly has a female to male gender configuration with 50 ohm flexible PE-P195 coax. The PE3W06405-200CM type N female to SMA male cable assembly operates to 4 GHz. The right angle SMA interface on the PE-P195 cable allows for easier connections in tight spaces. Our RF cable assembly with type N bulkhead interface allows designers to create external connections on their product enclosures, and can be used in a variety of other rack mount and panel mount applications. The triple shielding of this Pasternack cable assembly provides excellent shielding effectiveness.

Custom versions of most RF cable assemblies can be built and shipped same day. Custom cable assembly lengths can be obtained by specifying the desired length on the web site at time of order or by contacting a sales representative. Other available RF cable assembly value added services include connector orientation or clocking, heat shrink booting and custom labeling. RF testing can also be performed to document the electrical performance of your cable assembly.

Electrical Specifications

| Description | Minimum | Typical | Maximum | Units |
|-------------------------|---------|------------|---------|--------------|
| Frequency Range | DC | | 4 | GHz |
| VSWR | | | 1.5:1 | |
| Velocity of Propagation | | 70 | | % |
| Capacitance | | 29 [95.14] | | pF/ft [pF/m] |

Click the following link (or enter part number in "SEARCH" on website) to obtain additional part information including price, inventory and certifications: [N Female Bulkhead to SMA Male Right Angle Cable 200 cm Length Using PE-P195 Coax PE3W06405-200CM](#)



N Female Bulkhead to SMA Male Right Angle Cable 200 cm Length Using PE-P195 Coax

RF Cable Assemblies Technical Data Sheet

PE3W06405-200CM

Specifications by Frequency

| Description | F1 | F2 | F3 | F4 | F5 | Units |
|-----------------------|------|------|------|------|------|-------|
| Frequency | 0.25 | 0.5 | 1 | 2.5 | 4 | GHz |
| Insertion Loss (Max.) | 0.68 | 0.88 | 1.12 | 1.59 | 2.06 | dB |

Electrical Specification Notes:

The Insertion Loss data above is based on the performance specifications of the coax used in this assembly. The Insertion Loss includes an estimated insertion loss of 0.3dB of connector loss.

Mechanical Specifications

Cable Assembly

Length* 78.74 in [200 cm]

Cable

Cable Type PE-P195
 Impedance 50 Ohms
 Inner Conductor Type Solid
 Inner Conductor Material and Plating Copper Clad Steel, Silver
 Dielectric Type PTFE
 Number of Shields 3
 Shield Layer 1 Silver Plated Copper Braid
 Shield Layer 2 Aluminum Tape
 Shield Layer 3 Silver Plated Copper Braid
 Jacket Material FEP, Tan
 Jacket Diameter 0.195 in [4.95 mm]

Repeated Minimum Bend Radius 1 in [25.4 mm]

Click the following link (or enter part number in "SEARCH" on website) to obtain additional part information including price, inventory and certifications: [N Female Bulkhead to SMA Male Right Angle Cable 200 cm Length Using PE-P195 Coax PE3W06405-200CM](#)



N Female Bulkhead to SMA Male Right Angle
Cable 200 cm Length Using PE-P195 Coax

RF Cable Assemblies Technical Data Sheet

PE3W06405-200CM

Connectors

| Description | Connector 1 | Connector 2 |
|------------------------------------|-------------------|----------------------|
| Type | N Female Bulkhead | SMA Male Right Angle |
| Specification | | MIL-STD-348A |
| Impedance | 50 Ohms | 50 Ohms |
| Contact Material and Plating | | Brass, Gold |
| Contact Plating Specification | | 50 µin minimum |
| Dielectric Type | | PTFE |
| Body Material and Plating | Brass, Nickel | Brass, Nickel |
| Body Plating Specification | | 100 µin minimum |
| Coupling Nut Material and Plating | | Brass, Nickel |
| Coupling Nut Plating Specification | | 100 µin minimum |
| Hex Size | | 5/16 inch |
| Torque | | 3 in-lbs [0.34 Nm] |

Mechanical Specification Notes:

*All cable assemblies have a length tolerance of 1.5% or ± 3/8", whichever is greater.

Compliance Certifications (see [product page](#) for current document)

Plotted and Other Data

Notes:

Click the following link (or enter part number in "SEARCH" on website) to obtain additional part information including price, inventory and certifications: [N Female Bulkhead to SMA Male Right Angle Cable 200 cm Length Using PE-P195 Coax PE3W06405-200CM](#)



N Female Bulkhead to SMA Male Right Angle
Cable 200 cm Length Using PE-P195 Coax

RF Cable Assemblies Technical Data Sheet

PE3W06405-200CM

How to Order

Part Number Configuration:

PE3W06405

- **xx**

uu

Unit of Measure:
cm = Centimeters
<blank> = Inches
Length
Base Number

Example: PE3W06405-12 = 12 inches long cable
PE3W06405-100cm = 100 cm long cable

N Female Bulkhead to SMA Male Right Angle Cable 200 cm Length Using PE-P195 Coax from Pasternack Enterprises has same day shipment for domestic and International orders. Our RF, microwave and millimeter wave products maintain a 99.4% availability and are part of the broadest selection in the industry.

Click the following link (or enter part number in "SEARCH" on website) to obtain additional part information including price, inventory and certifications: [N Female Bulkhead to SMA Male Right Angle Cable 200 cm Length Using PE-P195 Coax PE3W06405-200CM](https://www.pasternack.com/n-female-sma-male-pe-p195-cable-assembly-pe3w06405-200cm-p.aspx)

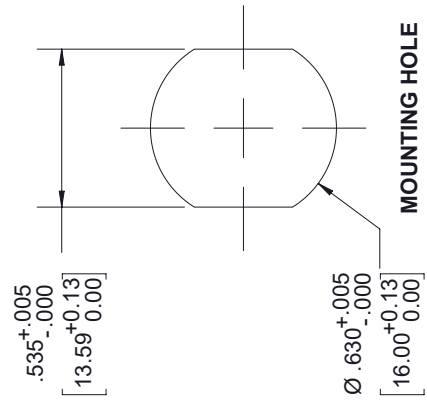
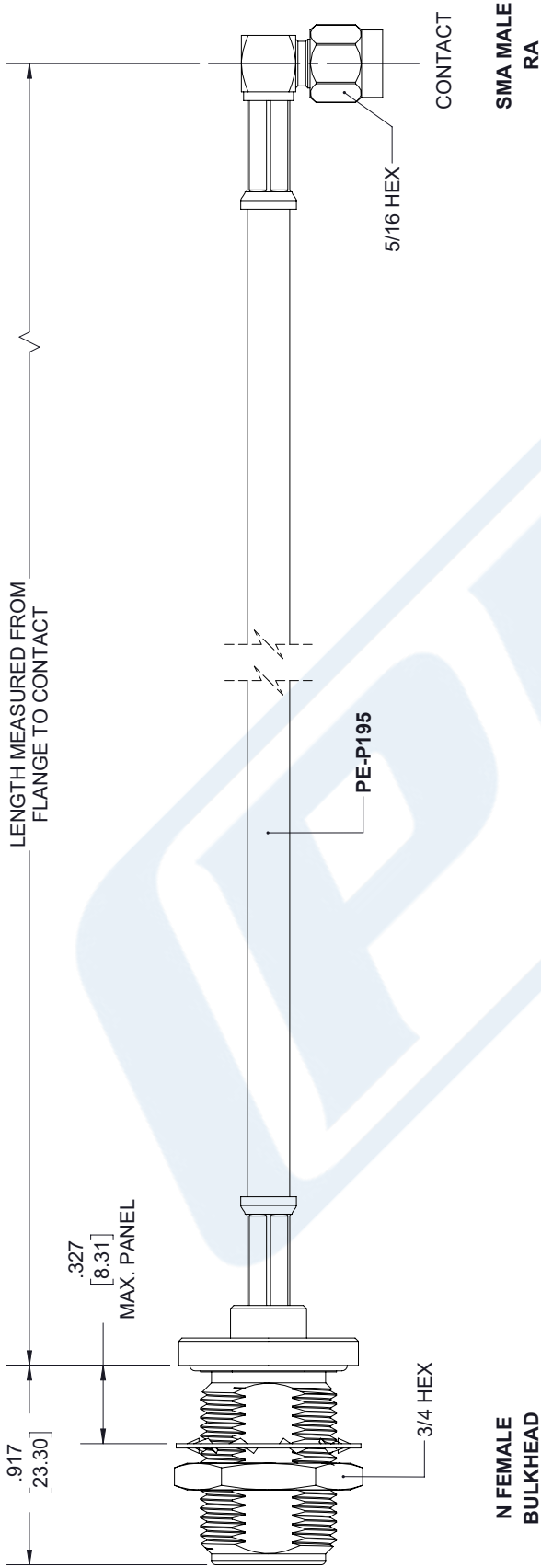
URL: <https://www.pasternack.com/n-female-sma-male-pe-p195-cable-assembly-pe3w06405-200cm-p.aspx>

The information contained in this document is accurate to the best of our knowledge and representative of the part described herein. It may be necessary to make modifications to the part and/or the documentation of the part, in order to implement improvements. Pasternack reserves the right to make such changes as required. Unless otherwise stated, all specifications are nominal. Pasternack does not make any representation or warranty regarding the suitability of the part described herein for any particular purpose, and Pasternack does not assume any liability arising out of the use of any part or documentation.

PE3W06405-200CM CAD Drawing

N Female Bulkhead to SMA Male Right Angle Cable 200 cm Length Using PE-P195 Coax

| REVISIONS | | | |
|-----------|-----------------|----------|----------|
| REV. | DESCRIPTION | DATE | APPROVED |
| A | INITIAL RELEASE | 04/23/19 | S.ELLIS |



| | | | | | | | | | | | |
|---|---|-------------|-----------|---------|-------|------|-----------|-------|-------------|---|---|
| <p>UNLESS OTHERWISE SPECIFIED LEADING DIMENSIONS ARE INCHES DIMENSIONS IN [] ARE MILLIMETERS</p> <p>TOLERANCES:</p> <table border="0"> <tr> <td>X±.2</td> <td>[5.08]</td> <td>FRACTIONS</td> </tr> <tr> <td>.XX±.01</td> <td>[.25]</td> <td>±132</td> </tr> <tr> <td>.XXX±.005</td> <td>[.13]</td> <td>ANGLES ± 1°</td> </tr> </table> <p>ALL DIMENSIONS SHOWN ARE FOR REFERENCE ONLY.</p> <p>THIRD-ANGLE PROJECTION</p> | X±.2 | [5.08] | FRACTIONS | .XX±.01 | [.25] | ±132 | .XXX±.005 | [.13] | ANGLES ± 1° | <p>PE PASTERNAK an INFINITO brand</p> <p>Pasternack Enterprises, Inc. P.O. Box 16759, Irvine, CA 92623. Phone: 1,949.261.1920 1,866.727.8376 Fax: 1,949.261.7451 www.pasternack.com e-mail: sales@pasternack.com</p> | <p>THE INFORMATION AND DESIGN IN THIS DOCUMENT IS THE PROPERTY OF PASTERNAK CORPORATION. ALL RIGHTS RESERVED.</p> |
| | X±.2 | [5.08] | FRACTIONS | | | | | | | | |
| .XX±.01 | [.25] | ±132 | | | | | | | | | |
| .XXX±.005 | [.13] | ANGLES ± 1° | | | | | | | | | |
| <p>SIZE A</p> <p>CAGE 53919</p> <p>DRAWN BY K.DANG</p> <p>PART NUMBER PE3W06405</p> | <p>SHEET 1 OF 1</p> <p>SCALE N/A</p> <p>REV A</p> | | | | | | | | | | |

THESE COMMODITIES, TECHNOLOGY OR SOFTWARE WERE EXPORTED FROM THE UNITED STATES IN ACCORDANCE WITH THE EXPORT ADMINISTRATION REGULATIONS. DIVERSION CONTRARY TO U.S. LAW PROHIBITED.